



Chipsmall Limited consists of a professional team with an average of over 10 year of expertise in the distribution of electronic components. Based in Hongkong, we have already established firm and mutual-benefit business relationships with customers from,Europe,America and south Asia,supplying obsolete and hard-to-find components to meet their specific needs.

With the principle of “Quality Parts,Customers Priority,Honest Operation,and Considerate Service”,our business mainly focus on the distribution of electronic components. Line cards we deal with include Microchip,ALPS,ROHM,Xilinx,Pulse,ON,Everlight and Freescale. Main products comprise IC,Modules,Potentiometer,IC Socket,Relay,Connector.Our parts cover such applications as commercial,industrial, and automotives areas.

We are looking forward to setting up business relationship with you and hope to provide you with the best service and solution. Let us make a better world for our industry!



Contact us

Tel: +86-755-8981 8866 Fax: +86-755-8427 6832

Email & Skype: info@chipsmall.com Web: www.chipsmall.com

Address: A1208, Overseas Decoration Building, #122 Zhenhua RD., Futian, Shenzhen, China

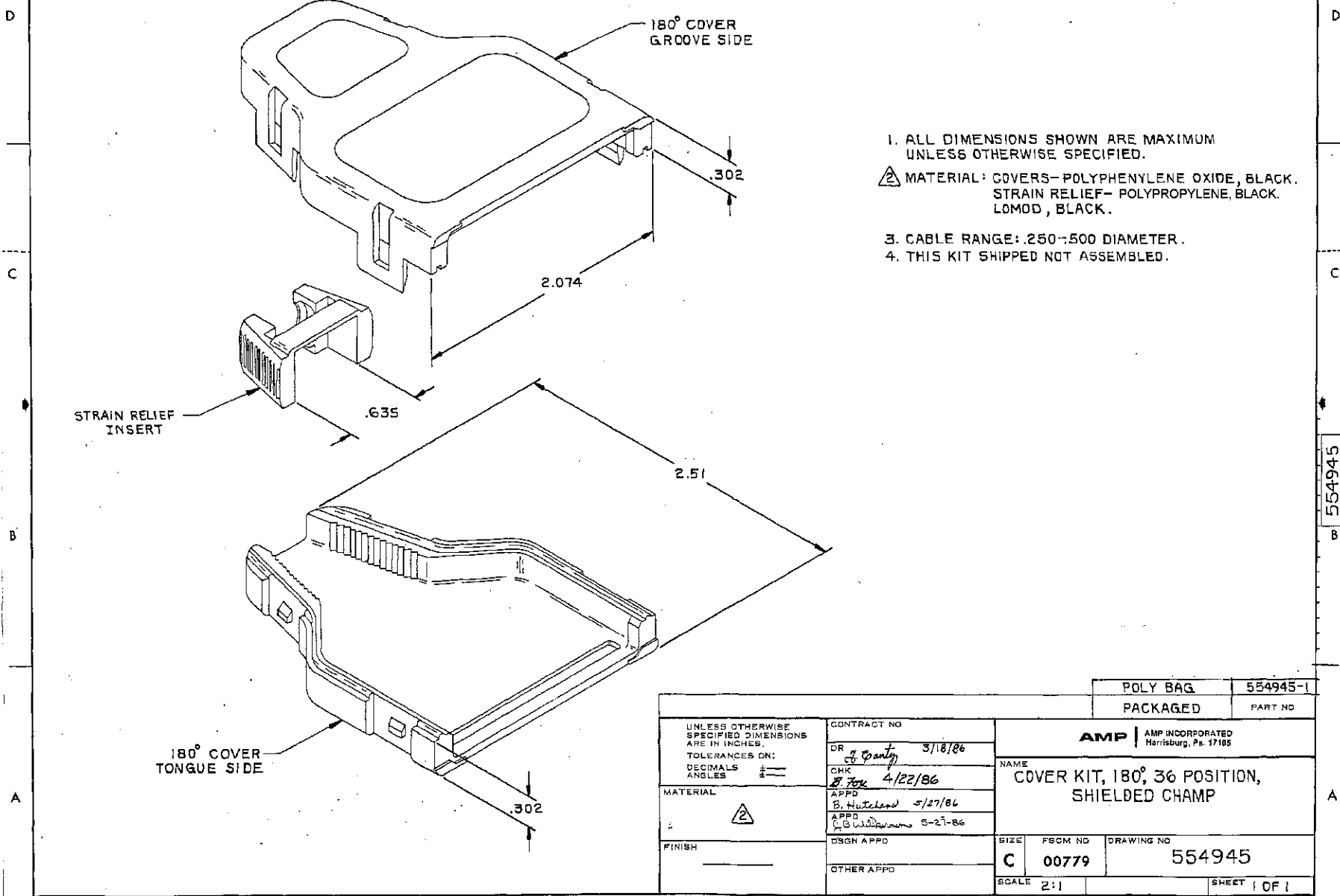


DRAWING MADE IN THIRD ANGLE PROJECTION

GP 00

THIS DRAWING IS UNPUBLISHED. RELEASED FOR PUBLICATION 19
 © COPYRIGHT 19 BY AMP INCORPORATED, HARRISBURG, PA. ALL INTERNATIONAL RIGHTS RESERVED. AMP PRODUCTS MAY BE COVERED BY U.S. AND FOREIGN PATENTS AND/OR PATENTS PENDING.

REVISED PER		DESCRIPTION	DATE	APPROVED
C		REVISED PER EC 0511-0216-03	08SEP79	JG



1. ALL DIMENSIONS SHOWN ARE MAXIMUM UNLESS OTHERWISE SPECIFIED.
2. MATERIAL: COVERS- POLYPHENYLENE OXIDE, BLACK. STRAIN RELIEF- POLYPROPYLENE, BLACK. LOMOD, BLACK.
3. CABLE RANGE: .250-.500 DIAMETER.
4. THIS KIT SHIPPED NOT ASSEMBLED.

554945

POLY BAG	554945-1
PACKAGED	PART NO

UNLESS OTHERWISE SPECIFIED DIMENSIONS ARE IN INCHES. TOLERANCES ON: DECIMALS ± ANGLES ±	CONTRACT NO	AMP AMP INCORPORATED Harrisburg, Pa. 17105	
	DR <i>C. Gandy</i> 3/18/86	NAME COVER KIT, 180°, 36 POSITION, SHIELDED CHAMP	
	CHK <i>B. Fox</i> 4/22/86	APPD <i>B. Hutchins</i> 5/27/86	
	MATERIAL △	APPD <i>C. B. Williams</i> 5-27-86	DSGN APPD
FINISH	SIZE C	FSCM NO 00779	DRAWING NO 554945
	SCALE 2:1	SHEET 1 OF 1	

AMP 1471-6 REV 2-81

CUSTOMER DRAWING