



Chipsmall Limited consists of a professional team with an average of over 10 year of expertise in the distribution of electronic components. Based in Hongkong, we have already established firm and mutual-benefit business relationships with customers from,Europe,America and south Asia,supplying obsolete and hard-to-find components to meet their specific needs.

With the principle of “Quality Parts,Customers Priority,Honest Operation,and Considerate Service”,our business mainly focus on the distribution of electronic components. Line cards we deal with include Microchip,ALPS,ROHM,Xilinx,Pulse,ON,Everlight and Freescale. Main products comprise IC,Modules,Potentiometer,IC Socket,Relay,Connector.Our parts cover such applications as commercial,industrial, and automotives areas.

We are looking forward to setting up business relationship with you and hope to provide you with the best service and solution. Let us make a better world for our industry!



Contact us

Tel: +86-755-8981 8866 Fax: +86-755-8427 6832

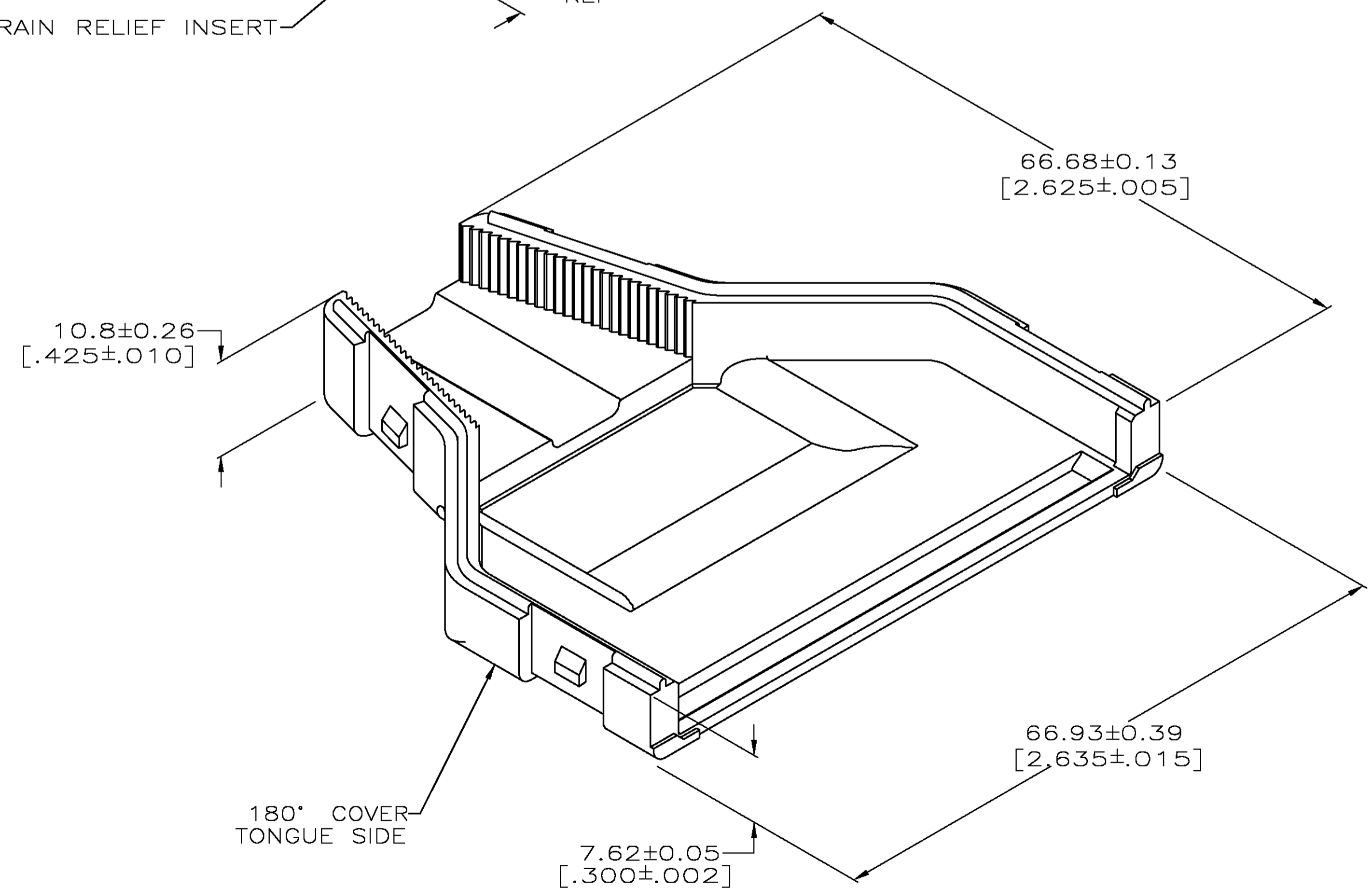
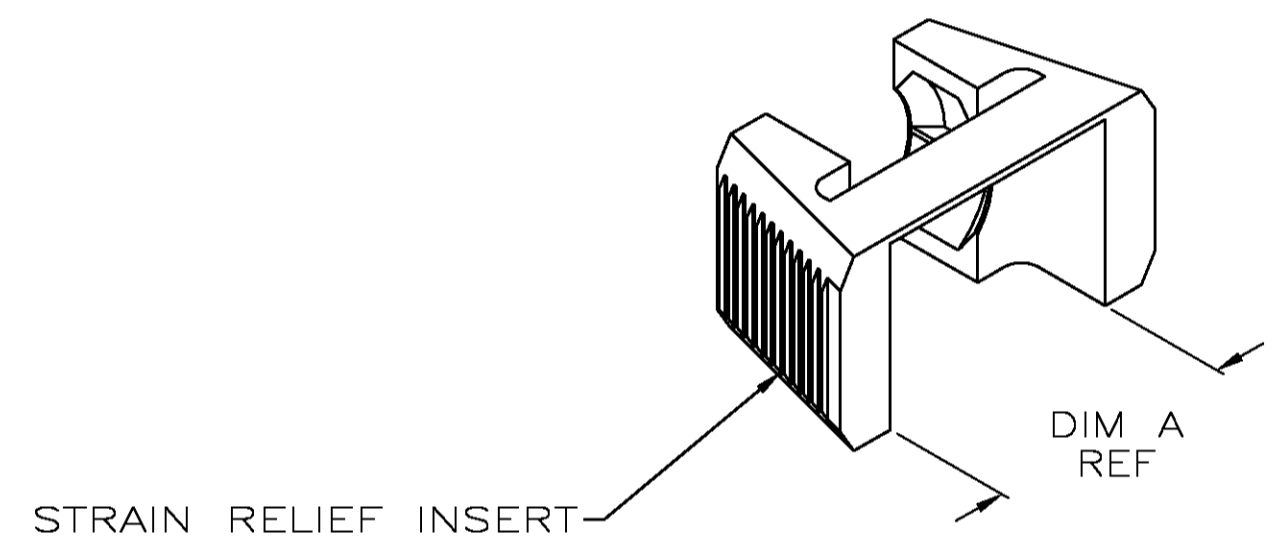
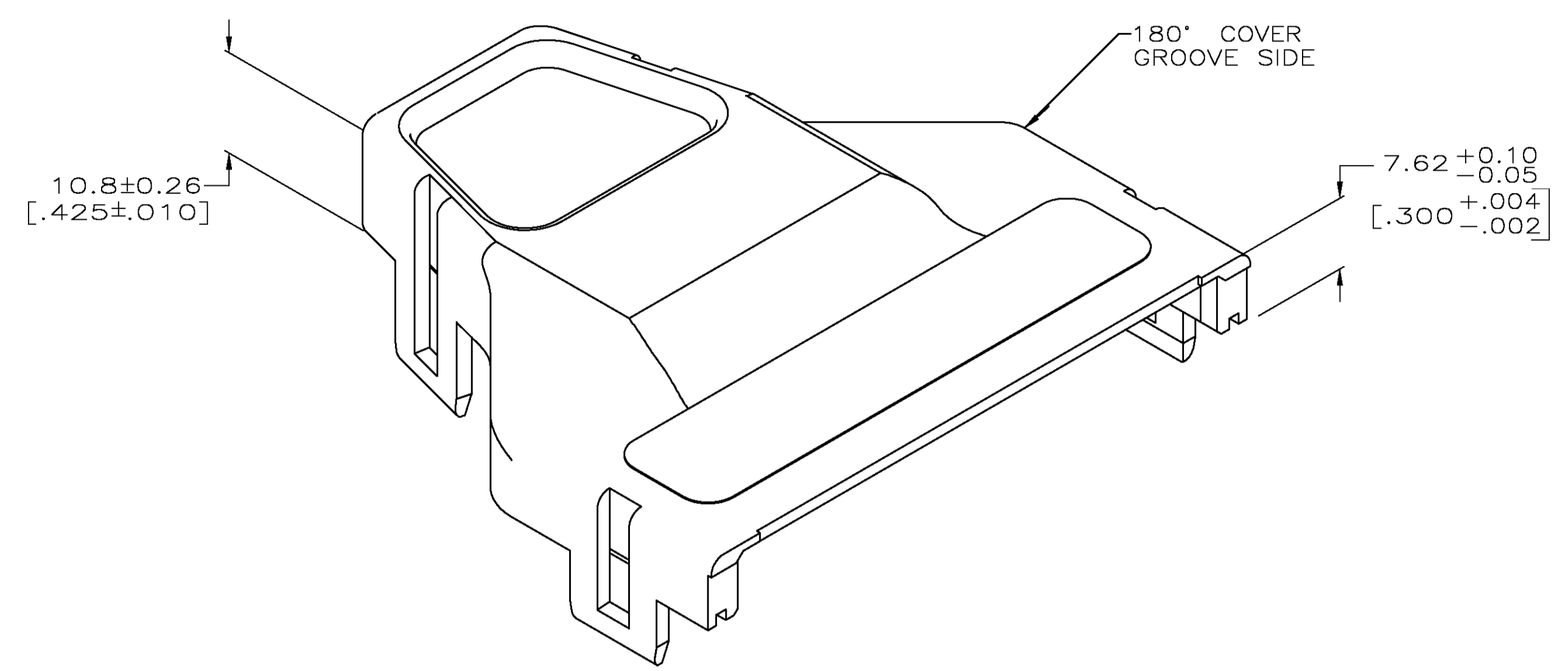
Email & Skype: info@chipsmall.com Web: www.chipsmall.com

Address: A1208, Overseas Decoration Building, #122 Zhenhua RD., Futian, Shenzhen, China



THIS DRAWING IS UNPUBLISHED. RELEASED FOR PUBLICATION .19
 COPYRIGHT 19 BY AMP INCORPORATED. ALL RIGHTS RESERVED.

LOC	DIST	REVISIONS			
REV	DATE	DESCRIPTION	DATE	DWR	APVD
E	10SEP04	REVISED PER EC 0511-0216-03		JG	JG
E1	08JAN10	REVISED PER ECO-09-021826		KK	AEG



- 1. THIS KIT SHIPPED NOT ASSEMBLED.
- ⚠ MATERIAL: COVERS- POLYPHENYLENE OXIDE, SEE TABLE FOR COLOR.
STRAIN RELIEF - POLYPROPYLENE, BLACK.
- ⚠ CABLE DIAMETER LESS THAN 12.7 [.500] SHALL USE 16.26 [.64] STRAIN RELIEF. CABLE DIAMETER GREATER THAN 12.7 [.500] SHALL USE 18.54 [.73] STRAIN RELIEF.
- ⚠ PACKAGED 1 KIT PER POLYBAG.
- ⚠ BULK PACKAGED 500 KITS PER CONTAINER.
- ⚠ OBSOLETE PARTS: OBSOLETE CIS STREAMLINING PER D.RENAUD/D.SINISI

COLOR	PACKAGED	DIM. A	CABLE RANGE DIA	PART NUMBER
⚠ OBSOLETE COMPAQ-GRAY	5	18.67 [.735]	8.89-15.88 [.350-.625]	5-554946-3
BLACK	6	16.13 [.635]	6.35-12.7 [.250-.500]	5-554946-1
BLACK	4	18.67 [.735]	8.89-15.88 [.350-.625]	554946-2
BLACK	4	16.13 [.635]	6.35-12.7 [.250-.500]	554946-1

THIS DRAWING IS A CONTROLLED DOCUMENT FOR AMP PROPRIETARY. IT IS SUBJECT TO CHANGE AND THE COMPANY'S ENGINEERING ORGANIZATION SHOULD BE CONTACTED FOR THE LATEST VERSION.

DIMENSIONS: mm (INCHES)	TOLERANCES UNLESS OTHERWISE SPECIFIED: 0 PLC ± 1 PLC ± 2 PLC ± 3 PLC ± 4 PLC ± ANGLES ±	DWN L. SMITH 3-15-95 CHK D. HUSSEY 4-04-95 APVD M. HUGHES 4-04-95	NAME M. HUGHES	AMP Incorporated Harrisburg, PA 17105-3608
MATERIAL ⚠	FINISH -	PRODUCT SPEC -	APPLICATION SPEC -	

SCALE: 2:1 SHEET 1 OF 1 REV E1