



Chipsmall Limited consists of a professional team with an average of over 10 year of expertise in the distribution of electronic components. Based in Hongkong, we have already established firm and mutual-benefit business relationships with customers from,Europe,America and south Asia,supplying obsolete and hard-to-find components to meet their specific needs.

With the principle of “Quality Parts,Customers Priority,Honest Operation,and Considerate Service”,our business mainly focus on the distribution of electronic components. Line cards we deal with include Microchip,ALPS,ROHM,Xilinx,Pulse,ON,Everlight and Freescale. Main products comprise IC,Modules,Potentiometer,IC Socket,Relay,Connector.Our parts cover such applications as commercial,industrial, and automotives areas.

We are looking forward to setting up business relationship with you and hope to provide you with the best service and solution. Let us make a better world for our industry!



Contact us

Tel: +86-755-8981 8866 Fax: +86-755-8427 6832

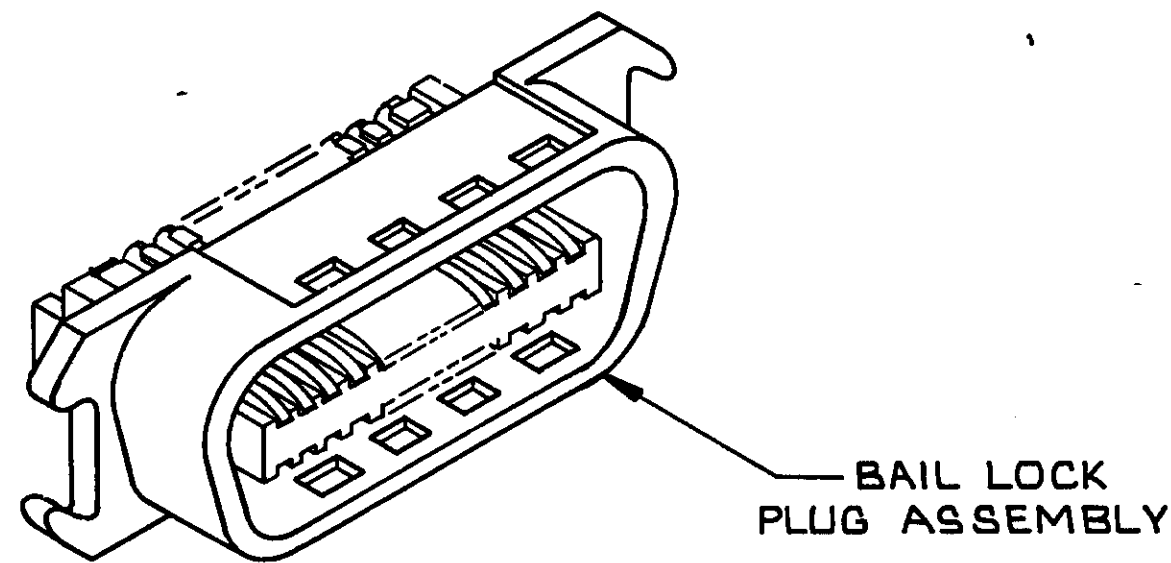
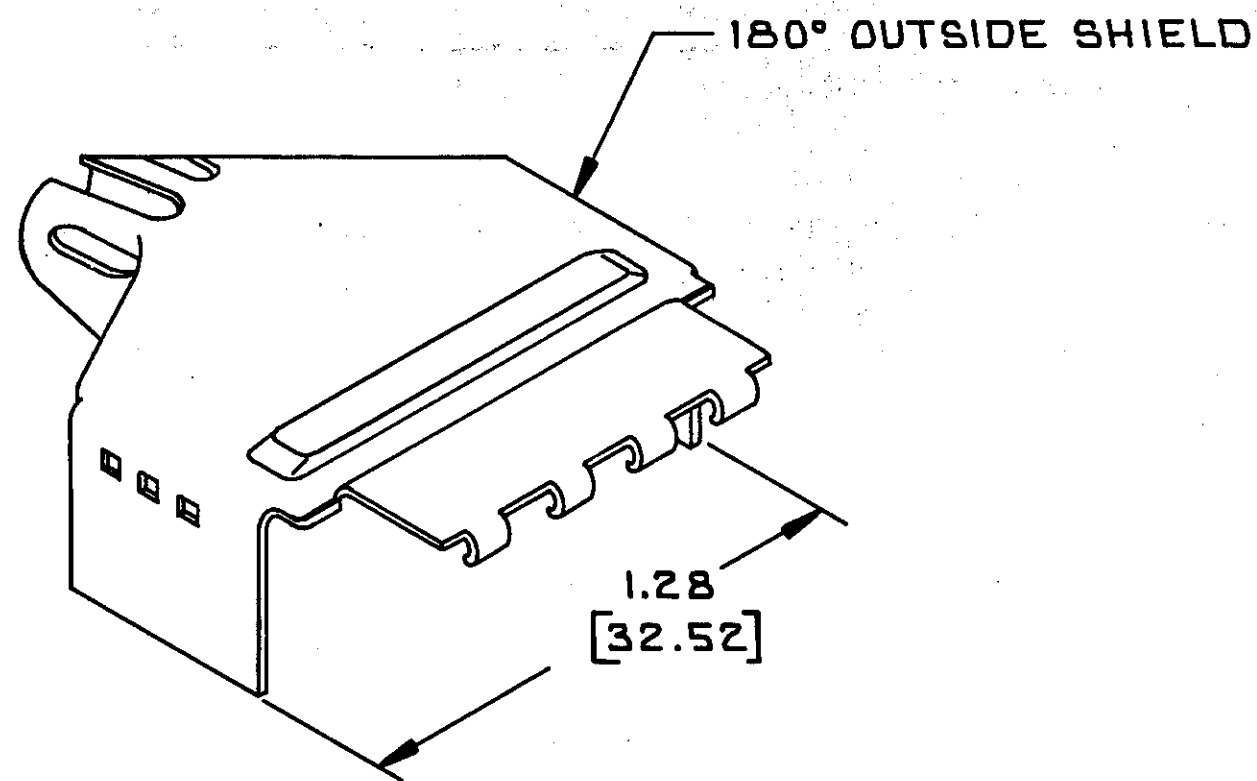
Email & Skype: info@chipsmall.com Web: www.chipsmall.com

Address: A1208, Overseas Decoration Building, #122 Zhenhua RD., Futian, Shenzhen, China

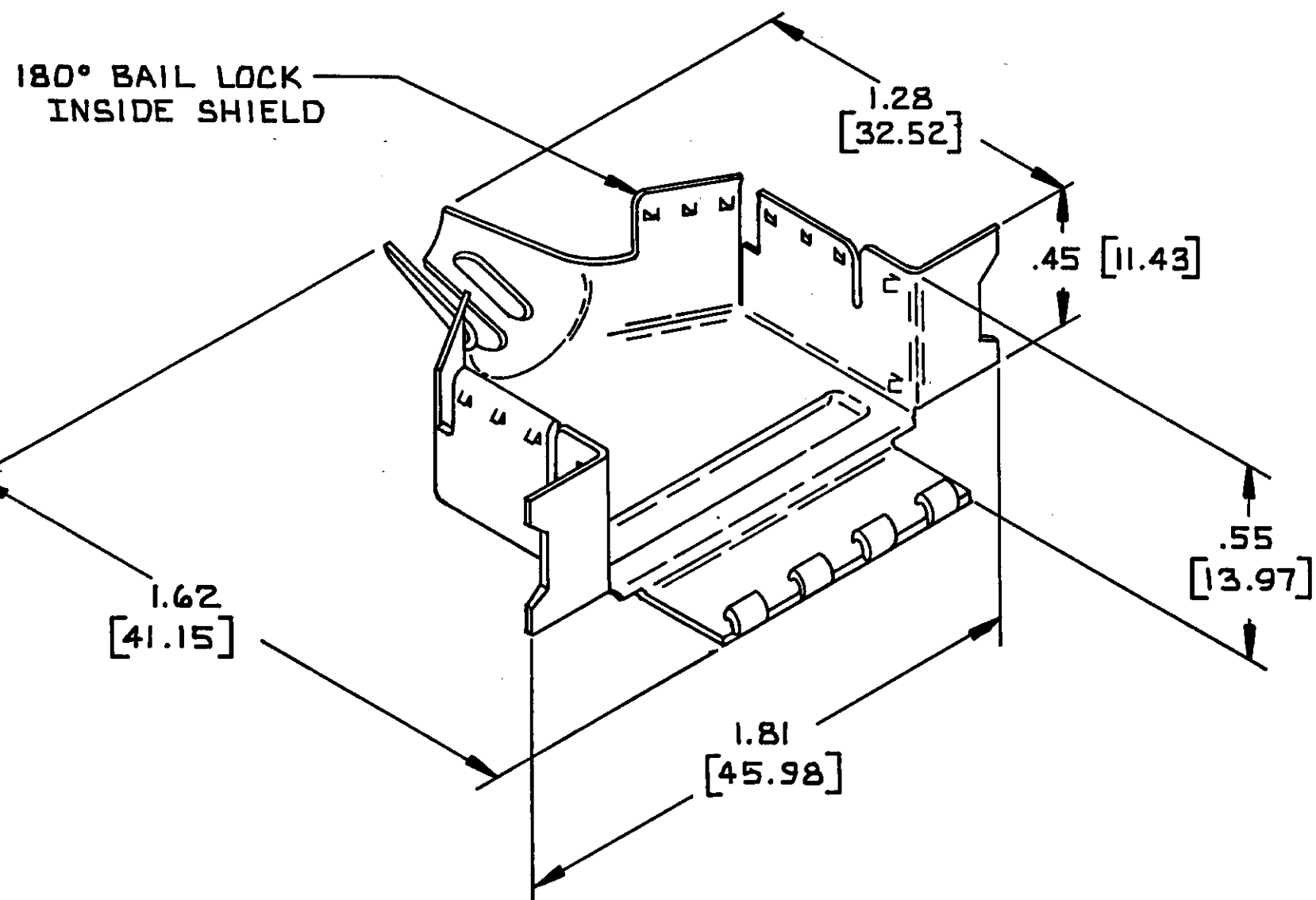


THIS DRAWING IS UNPUBLISHED. RELEASED FOR PUBLICATION .19
 © COPYRIGHT 19 BY AMP INCORPORATED. ALL INTERNATIONAL RIGHTS RESERVED.

LOC	DIST	P	F	ZONE	LTR	REVISIONS	DATE	APPD	
AA	ZO					D	REACTIVATE -1 & -2 ; ECN AA-6793	5-1-90	LBS N.J.



1. THIS KIT SHIPPED NOT ASSEMBLED.
2. MATERIAL : SHIELDS - BRIGHT NICKEL PLATED CARBON STEEL. PLUG HOUSING - POLYPHENYLENE, BLACK. TERMINALS - GOLD OVER NICKEL PLATED HIGH STRENGTH COPPER ALLOY.
3. WIRE SIZE : 24 OR 26 AWG SOLID OR 24 AWG STRANDED COPPER CONDUCTORS. MAXIMUM INSULATION DIA OF .045 IS ACCEPTABLE FOR MOST APPLICATIONS.
4. CABLE RANGE : .250 - .500 DIAMETER .
5. CENTER-TO-CENTER SPACING OF TERMINALS IS .085 NOMINAL.
6. WIRE SIZE : 26-27-28 AWG STRANDED COPPER CONDUCTORS. MAXIMUM INSULATION DIAMETER OF .045 IS ACCEPTABLE FOR MOST APPLICATIONS.
7. ALL DIMENSIONS SHOWN ARE MAXIMUM UNLESS OTHERWISE SPECIFIED.
8. DIMENSIONS IN BRACKETS [] ARE IN MILLIMETERS.



POLYBAG	B	3	554947-2
	E	6	554947-1
PACKAGED	SLOT SIZE	WIRE SIZE	PART NO

DO NOT SCALE PRINT. UNLESS SPECIFIED DIMENSIONS IN INCHES TOLERANCES ON : 2 PLC DEC ± 3 PLC DEC ± ANGLES ±	DR LARRY H. SMITH 5-1-90	AMP INCORPORATED Harriburg, Pa. 17105	
	CHK M. Jones 5-17-90		
MATERIAL	APPD Kandy McCraw 5/17/90	NAME PLUG KIT, 24 POSITION, BAIL LOCK, SHIELDED CHAMP®	
	APPD O. Williams 5-21-90	PRODUCT SPEC	
FINISH	APPLICATION SPEC	SIZE C	FSCM NO 00779
		DRAWING NO 554947	
WEIGHT		SCALE 2:1	SHEET 1 OF 1

554947