



Chipsmall Limited consists of a professional team with an average of over 10 year of expertise in the distribution of electronic components. Based in Hongkong, we have already established firm and mutual-benefit business relationships with customers from,Europe,America and south Asia,supplying obsolete and hard-to-find components to meet their specific needs.

With the principle of “Quality Parts,Customers Priority,Honest Operation,and Considerate Service”,our business mainly focus on the distribution of electronic components. Line cards we deal with include Microchip,ALPS,ROHM,Xilinx,Pulse,ON,Everlight and Freescale. Main products comprise IC,Modules,Potentiometer,IC Socket,Relay,Connector.Our parts cover such applications as commercial,industrial, and automotives areas.

We are looking forward to setting up business relationship with you and hope to provide you with the best service and solution. Let us make a better world for our industry!



Contact us

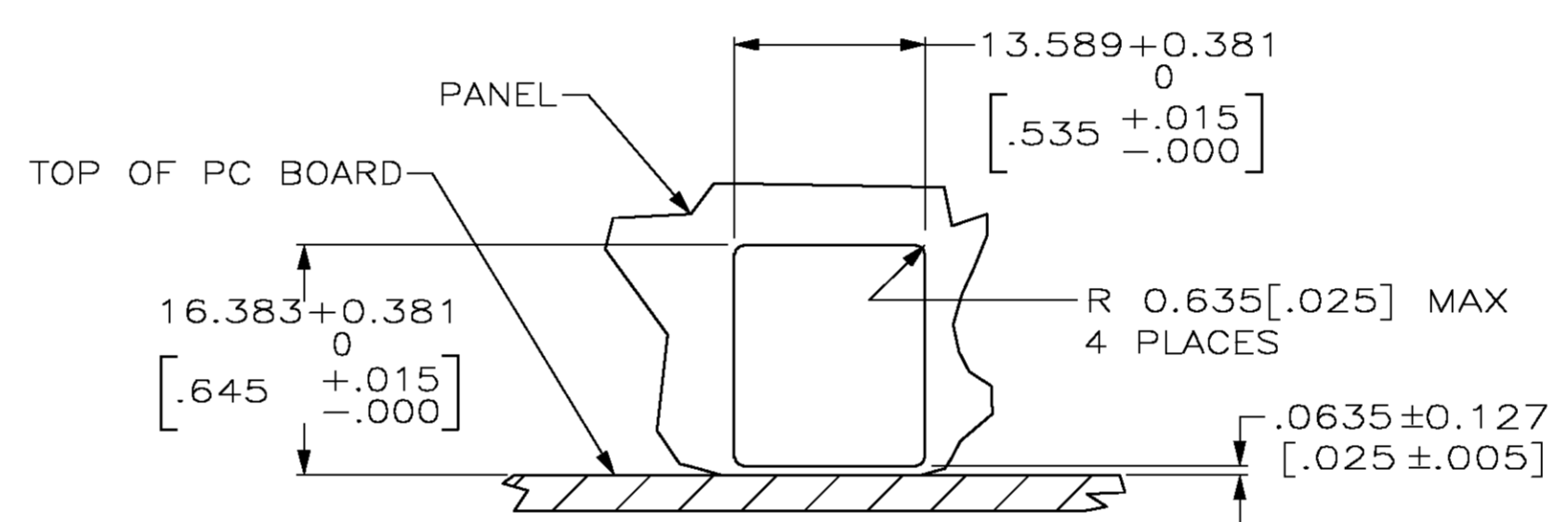
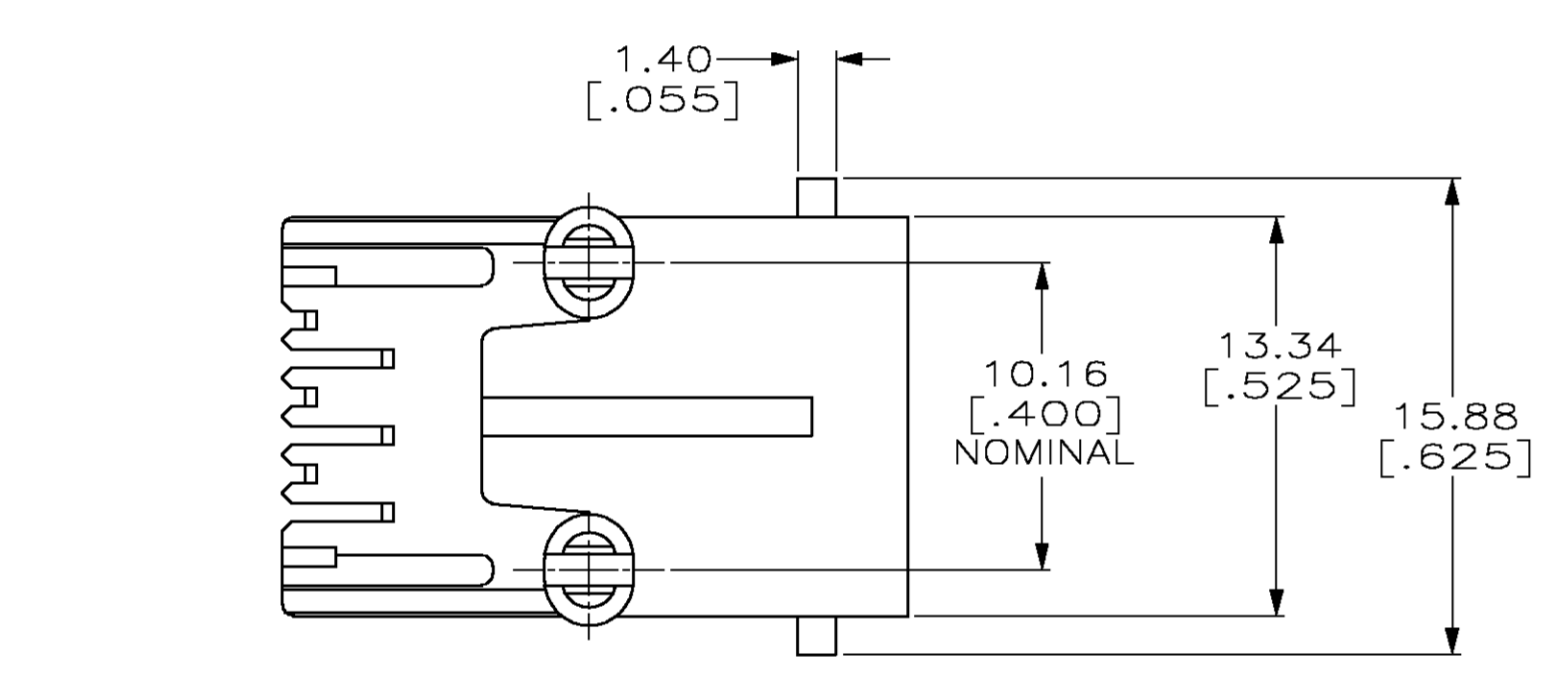
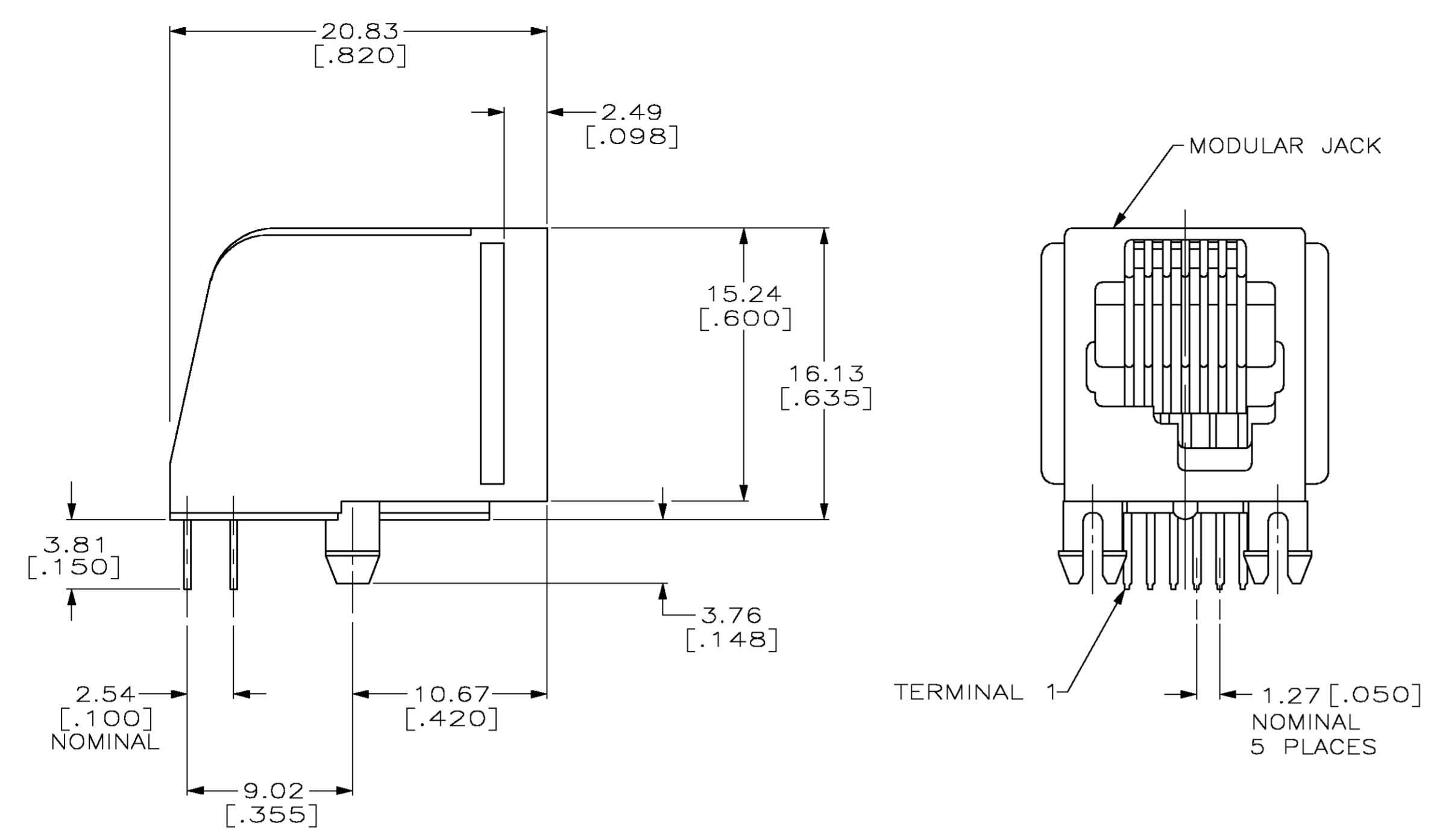
Tel: +86-755-8981 8866 Fax: +86-755-8427 6832

Email & Skype: info@chipsmall.com Web: www.chipsmall.com

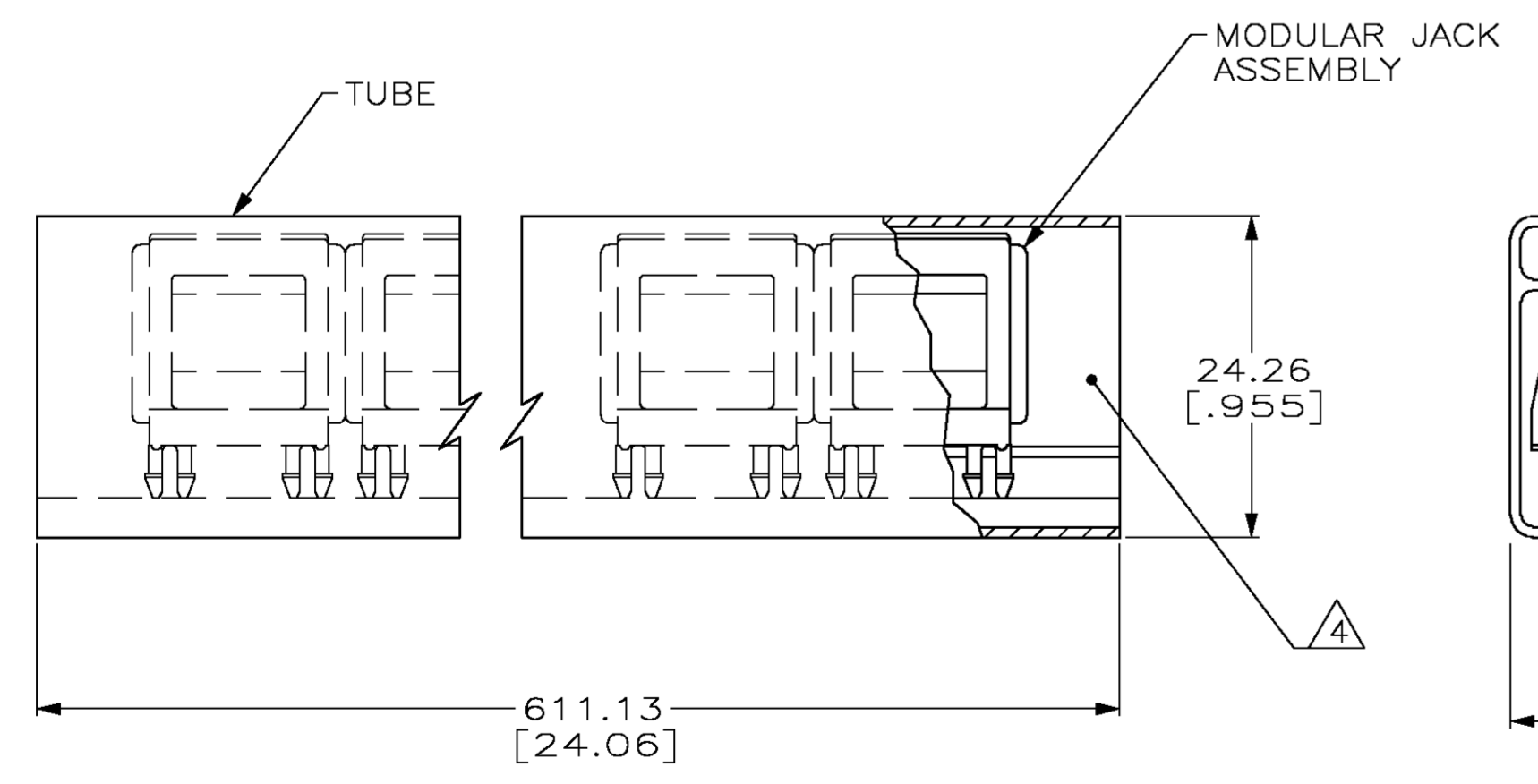
Address: A1208, Overseas Decoration Building, #122 Zhenhua RD., Futian, Shenzhen, China



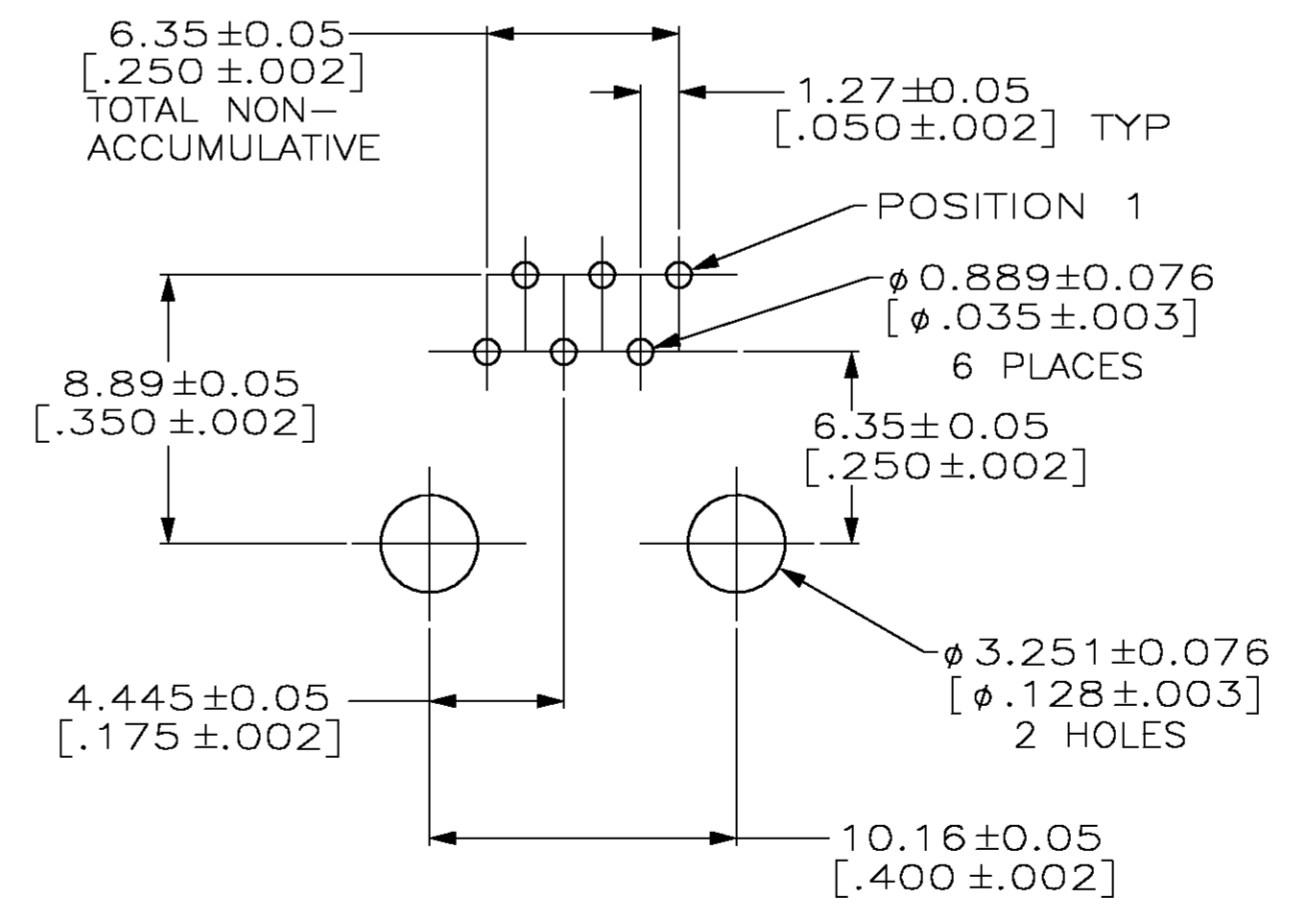
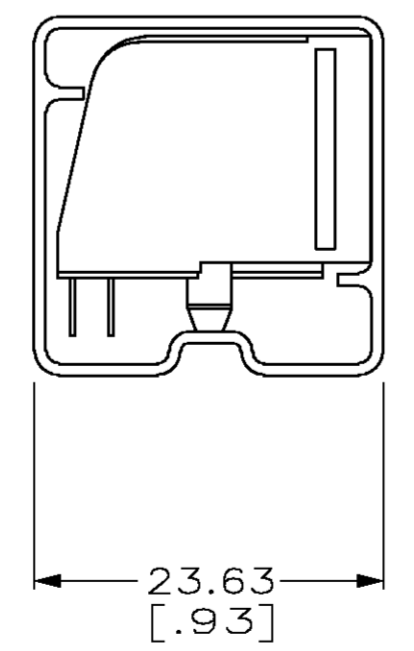
LOC		DIST		REVISIONS			
P	LR	DATE	BY	APPD			
H		19MAR03	DD	BK			



SUGGESTED PANEL CUTOUT
SCALE 2:1



DETAIL B
SCALE 2:1



SUGGESTED PC BOARD LAYOUT
CIRCUIT SIDE SHOWN

- 1 MATERIAL: HOUSING - PBT POLYESTER, SEE TABLE FOR COLOR.
TERMINAL - 0.35 [.0138] THICK PHOS-BRONZE PLATED WITH 1.27µm [.000050] THICK HARD GOLD IN LOCALIZED GOLD PLATE AREA AND 2.03µm [.000080] THICK TIN-LEAD IN SOLDER AREA OVER 1.27µm [.000050] THICK NICKEL UNDERPLATE.
- 2 ALL DIMENSIONS SHOWN ARE MAXIMUM UNLESS OTHERWISE SPECIFIED.
- 3 BULK PACKAGED IN A TRAY.
- 4 PACKAGED 36 ASSEMBLIES PER TUBE WITH BOTH ENDS CLOSED. SEE DETAIL B.

PACKAGED	COLOR	TERMINALS	PART NUMBER
3	BLACK	6	555003-3
4	GRAY	6	555003-2
3	GRAY	6	555003-1

THIS DRAWING IS A CONTROLLED DOCUMENT.

DIMENSIONS:	TOLERANCES UNLESS OTHERWISE SPECIFIED:	DIN	12 FEB 95		Tyco Electronics Corporation Harrisburg, PA 17105-3608
MM	0 PLC ± - 1 PLC ± - 2 PLC ± - 3 PLC ± - 4 PLC ± - ANGLES ± -	DR	27 APR 95		NAME
MATERIAL	FINISH	APPROVED	EC LAURER	PRODUCT SPEC	108-1163
		APPLICATION SPEC	114-2048	SIZE	A1
		WEIGHT		CAGE CODE	00779
		CUSTOMER DRAWING		DRAWING NO	555003

SCALE 4:1 SHEET 1 OF 1 REV H