



Chipsmall Limited consists of a professional team with an average of over 10 year of expertise in the distribution of electronic components. Based in Hongkong, we have already established firm and mutual-benefit business relationships with customers from,Europe,America and south Asia,supplying obsolete and hard-to-find components to meet their specific needs.

With the principle of “Quality Parts,Customers Priority,Honest Operation,and Considerate Service”,our business mainly focus on the distribution of electronic components. Line cards we deal with include Microchip,ALPS,ROHM,Xilinx,Pulse,ON,Everlight and Freescale. Main products comprise IC,Modules,Potentiometer,IC Socket,Relay,Connector.Our parts cover such applications as commercial,industrial, and automotives areas.

We are looking forward to setting up business relationship with you and hope to provide you with the best service and solution. Let us make a better world for our industry!



Contact us

Tel: +86-755-8981 8866 Fax: +86-755-8427 6832

Email & Skype: info@chipsmall.com Web: www.chipsmall.com

Address: A1208, Overseas Decoration Building, #122 Zhenhua RD., Futian, Shenzhen, China



THIS DRAWING IS UNPUBLISHED. RELEASED FOR PUBLICATION
 © COPYRIGHT - By - ALL RIGHTS RESERVED.

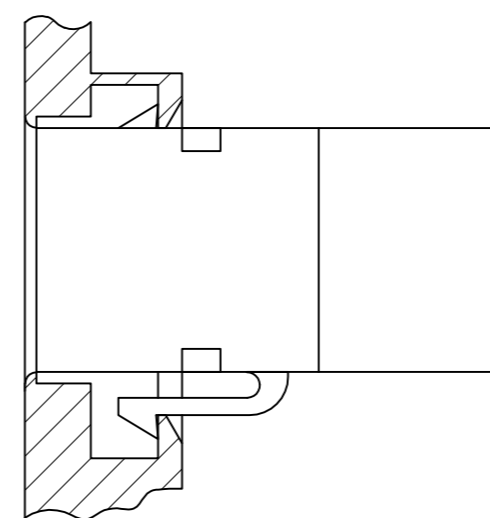
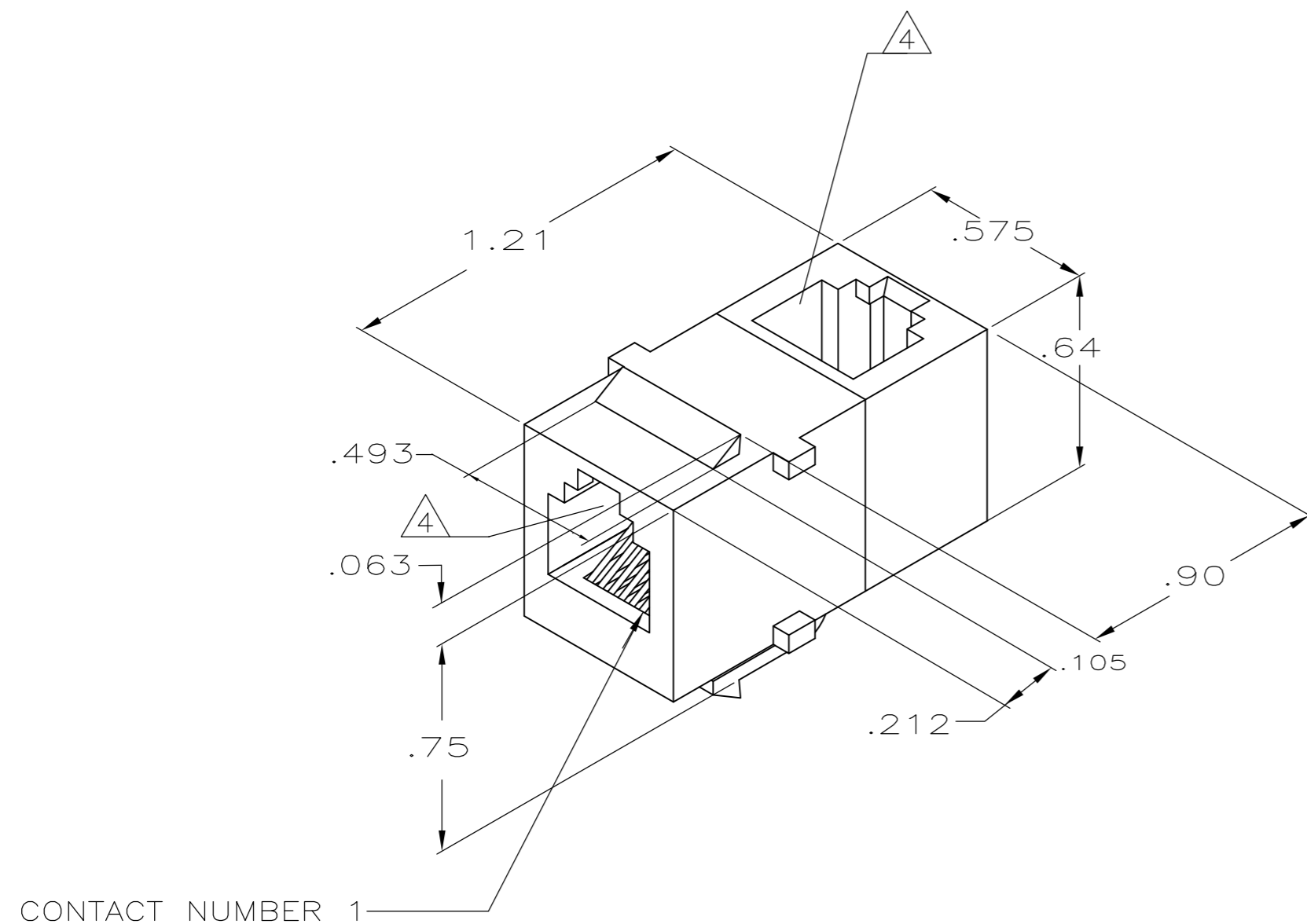
LOC		DIST		REVISIONS			
P	LTR	DESCRIPTION		DATE	DWN	APVD	
HM	00	E1		REVISED PER ECO-11-005033	22MAR11	RK	HMR

1. ALL DIMENSIONS SHOWN ARE MAXIMUM UNLESS OTHERWISE SPECIFIED.

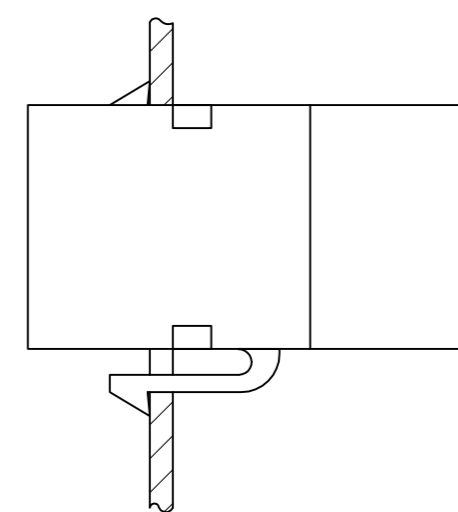
2. MATERIAL:
 HOUSING - POLYPHENYLENE OXIDE, BLACK.
 TERMINAL - .018 DIA PHOSPHOR BRONZE PLATED WITH .000050 MINIMUM THICK GOLD OVER .000050 MINIMUM THICK NICKEL.

3. MOUNTING PANEL THICKNESS .062 NOMINAL.

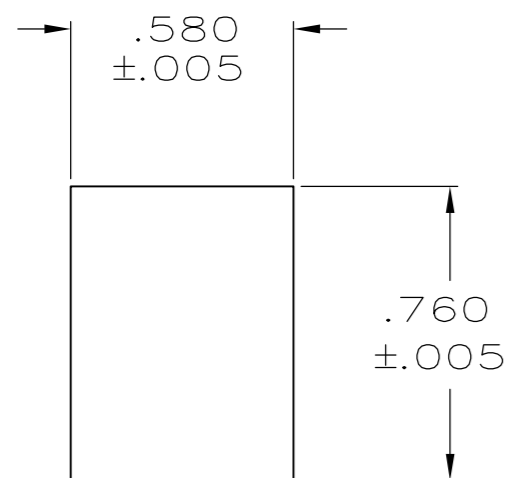
4. CAVITIES SHALL CONFORM TO FCC RULES AND REGULATIONS, PART 68, SUBPART F.



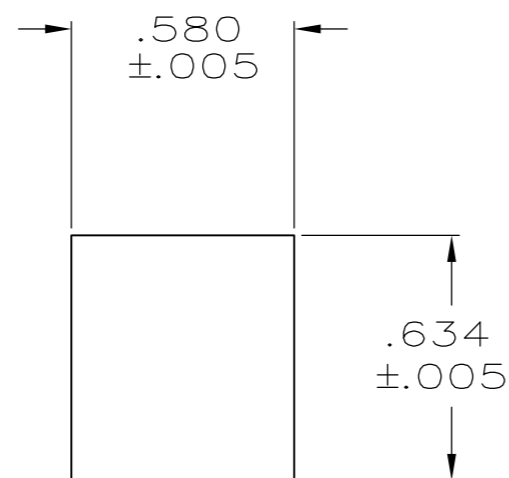
DOUBLE WALL PLATE
NOT TO SCALE



SINGLE WALL PLATE



RECOMMENDED PANEL CUTOUT FOR SINGLE WALL PLATE AND BACK PANEL FOR DOUBLE WALL PLATE



RECOMMENDED FRONT PANEL CUTOUT FOR DOUBLE WALL PLATE

555049-1
PART NUMBER

THIS DRAWING IS A CONTROLLED DOCUMENT.		DWN	C. YATES	3-17-87		TE Connectivity		
DIMENSIONS: INCHES		CHK	B. FOX	3-27-87		NAME		
TOLERANCES UNLESS OTHERWISE SPECIFIED:		APVD	G. FOSTER	4-1-87		COUPLER ASSEMBLY, 6 POSITION, RIGHT ANGLE		
0 PLC ± - 1 PLC ± - 2 PLC ± - 3 PLC ± - 4 PLC ± - ANGLES ± -		PRODUCT SPEC	-			SIZE	CAGE CODE	DRAWING NO
MATERIAL		FINISH	-		A2	00779	C=555049	
				WEIGHT		-		
CUSTOMER DRAWING		SCALE		2:1		SHEET	1 of 1	
						REV	E1	