



Chipsmall Limited consists of a professional team with an average of over 10 year of expertise in the distribution of electronic components. Based in Hongkong, we have already established firm and mutual-benefit business relationships with customers from,Europe,America and south Asia,supplying obsolete and hard-to-find components to meet their specific needs.

With the principle of “Quality Parts,Customers Priority,Honest Operation,and Considerate Service”,our business mainly focus on the distribution of electronic components. Line cards we deal with include Microchip,ALPS,ROHM,Xilinx,Pulse,ON,Everlight and Freescale. Main products comprise IC,Modules,Potentiometer,IC Socket,Relay,Connector.Our parts cover such applications as commercial,industrial, and automotives areas.

We are looking forward to setting up business relationship with you and hope to provide you with the best service and solution. Let us make a better world for our industry!



Contact us

Tel: +86-755-8981 8866 Fax: +86-755-8427 6832

Email & Skype: info@chipsmall.com Web: www.chipsmall.com

Address: A1208, Overseas Decoration Building, #122 Zhenhua RD., Futian, Shenzhen, China



55505 Flange Mount Hall Effect Geartooth Sensor



Features

- Ferrous target sensing
- Internal circuit protection
- Protection against severe and automotive environments
- Self adjusting magnetic range
- Automotive grade circuit protection
- High speed operation
- Short circuit and reverse voltage protection
- On board 10 bit A/D convertor

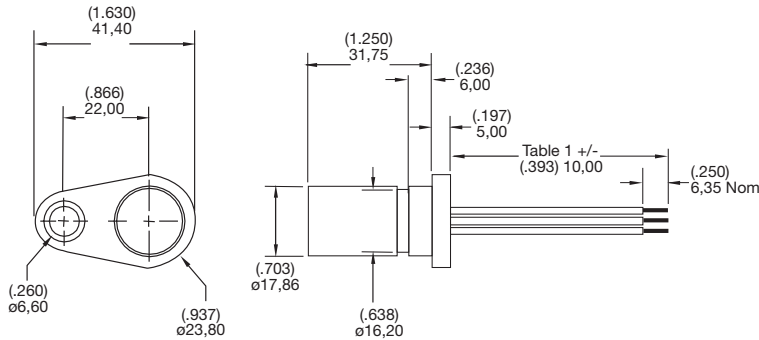
Benefits

- No chopper delay
- Rotational alignment to target not critical
- Immune to target run out

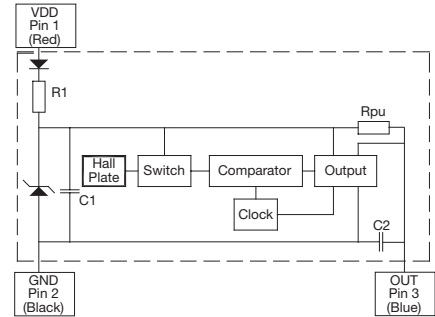
Applications

- Wheel, transmission and camshaft speed sensing
- Gear tooth sensor
- Rotary encoders
- Industrial
- Commercial
- Automotive

DIMENSIONS (in) mm



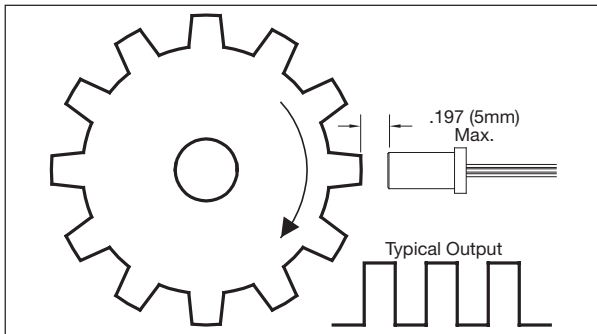
BLOCK DIAGRAM



SPECIFICATIONS

SPECIFICATIONS			
Hall Type			Digital Switch 3 Wire (Voltage Output)
Supply Voltage	Operate	Vdc	4.75 to 25.2
Supply Voltage	Overvoltage Protection	Vdc-max.	27
Supply Voltage	Reverse Voltage Protection	Vdc-max.	-25
Output High Voltage		Vdc	VDD -2 (sinking output with internal pull-up)
Output Low Voltage		Vdc-max.	0.6 @ 25mA
Output Current (continuously on)		mA-max.	20
Current Consumption		mA-max.	1
Current Consumption		mA-max.	10.5
Switching Speed		kHz-max.	15
Temperature	Operating	°C	-40 to +125
Temperature	Storage	°C	-65 to +125

APPLICATION EXAMPLE - Geartooth Sensor

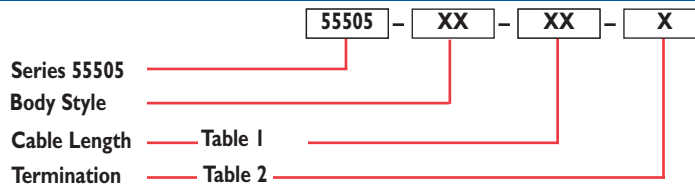


CUSTOMER OPTIONS - Cable Length and Termination

TABLE 1	
Cable Length- (CABLE 20 AWG, XLPE)	
Type TXL per SAE J-1128	
SELECT OPTION	LENGTH mm
01	(3.94) 100
02	(11.81) 300
03	(19.69) 500
04	(29.53) 750
05	(39.37) 1000

TABLE 2		
Termination Options:-		
SELECT OPTION	DESCRIPTION	
A	Tinned leads	
B	Deutsch DTM04-3P	
C	Molex MX 150	

ORDERING INFORMATION



Body Styles
 00 - Standard body
 01 - With O ring