



Chipsmall Limited consists of a professional team with an average of over 10 year of expertise in the distribution of electronic components. Based in Hongkong, we have already established firm and mutual-benefit business relationships with customers from,Europe,America and south Asia,supplying obsolete and hard-to-find components to meet their specific needs.

With the principle of “Quality Parts,Customers Priority,Honest Operation,and Considerate Service”,our business mainly focus on the distribution of electronic components. Line cards we deal with include Microchip,ALPS,ROHM,Xilinx,Pulse,ON,Everlight and Freescale. Main products comprise IC,Modules,Potentiometer,IC Socket,Relay,Connector.Our parts cover such applications as commercial,industrial, and automotives areas.

We are looking forward to setting up business relationship with you and hope to provide you with the best service and solution. Let us make a better world for our industry!



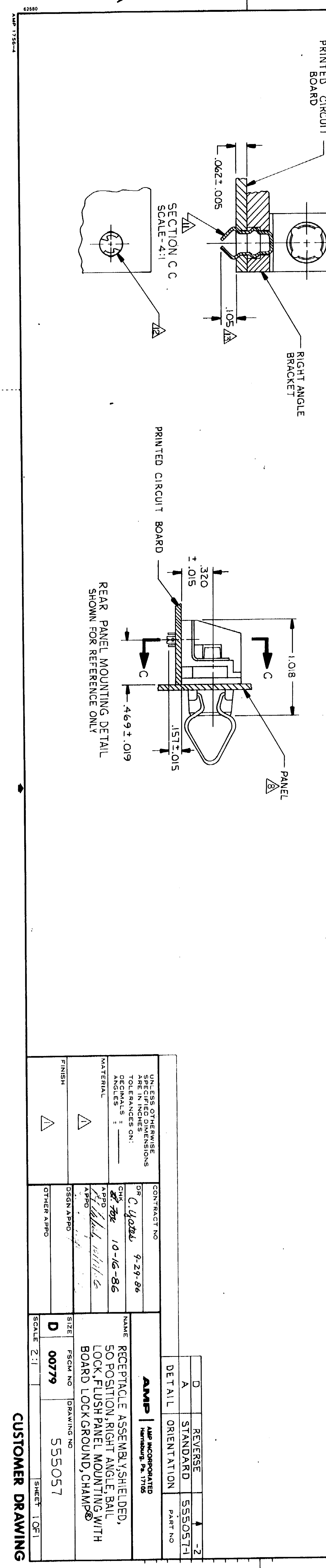
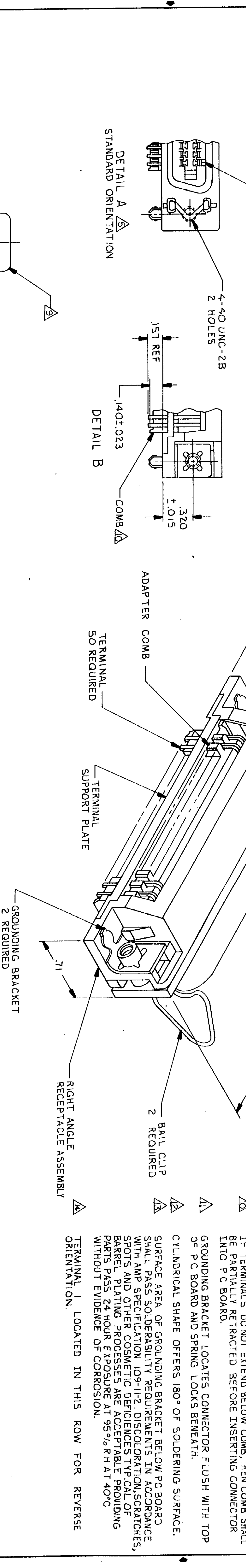
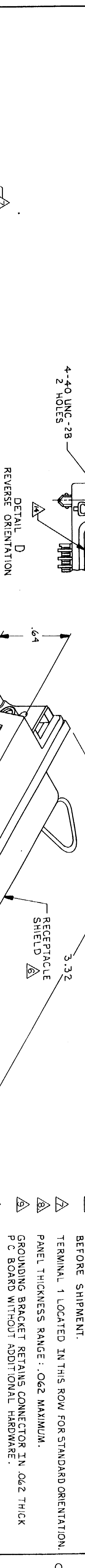
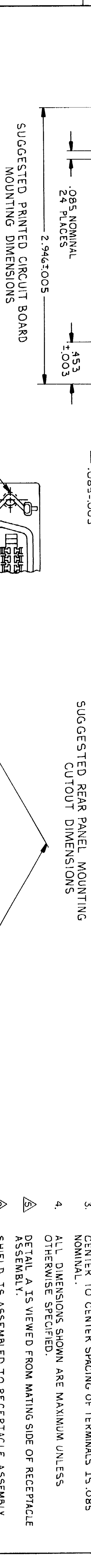
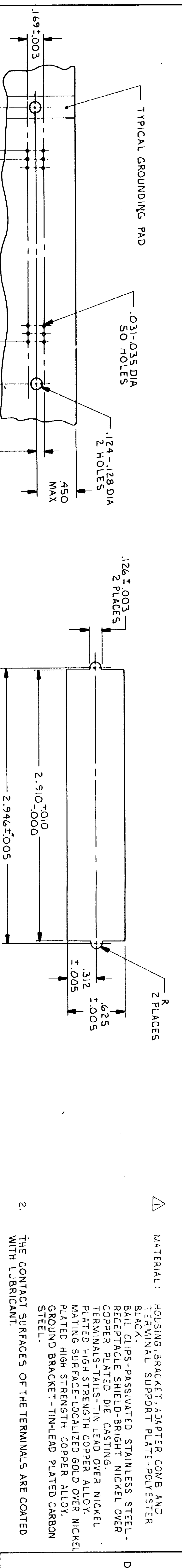
Contact us

Tel: +86-755-8981 8866 Fax: +86-755-8427 6832

Email & Skype: info@chipsmall.com Web: www.chipsmall.com

Address: A1208, Overseas Decoration Building, #122 Zhenhua RD., Futian, Shenzhen, China





- △ MATERIAL: HOUSING, BRACKET, ADAPTER COMB AND TERMINAL SUPPORT PLATE - POLYESTER BLACK.
 BAIL CLIPS - PASSIVATED STAINLESS STEEL.
 RECEPTACLE SHIELD - BRIGHT NICKEL OVER COPPER PLATED DIE CASTING.
 TERMINALS - TAILS - TIN LEAD OVER NICKEL PLATED HIGH STRENGTH COPPER ALLOY.
 MATING SURFACE - LOCALIZED GOLD OVER NICKEL PLATED HIGH STRENGTH COPPER ALLOY.
 GROUND BRACKET - TIN-LEAD PLATED CARBON STEEL.
1. THE CONTACT SURFACES OF THE TERMINALS ARE COATED WITH LUBRICANT.
 2. CENTER TO CENTER SPACING OF TERMINALS IS .085 NOMINAL.
 3. ALL DIMENSIONS SHOWN ARE MAXIMUM UNLESS OTHERWISE SPECIFIED.
 4. DETAIL A IS VIEWED FROM MATING SIDE OF RECEPTACLE ASSEMBLY.
 5. SHIELD IS ASSEMBLED TO RECEPTACLE ASSEMBLY BEFORE SHIPMENT.
 6. TERMINAL 1 LOCATED IN THIS ROW FOR STANDARD ORIENTATION.
 7. PANEL THICKNESS RANGE: .062 MAXIMUM.
 8. GROUNDING BRACKET RETAINS CONNECTOR IN .062 THICK P.C. BOARD WITHOUT ADDITIONAL HARDWARE.
 9. IF TERMINALS DO NOT EXTEND BELOW COMB, THEN COMB SHALL BE PARTIALLY RETRACTED BEFORE INSERTING CONNECTOR INTO P.C. BOARD.
 10. GROUNDING BRACKET LOCATES CONNECTOR FLUSH WITH TOP OF P.C. BOARD AND SPRING LOCKS BENEATH.
 11. CYLINDRICAL SHAPE OFFERS 180° OF SOLDERING SURFACE.
 12. SURFACE AREA OF GROUNDING BRACKET BELOW P.C. BOARD SHALL PASS SOLIDABILITY REQUIREMENTS IN ACCORDANCE WITH AMP SPECIFICATION 109-11-2. DISCOLORATION, SCRATCHES, SPOTS AND OTHER COSMETIC DEFICIENCIES TYPICAL OF BARREL PLATING PROCESSES ARE ACCEPTABLE PROVIDING PARTS PASS 24 HOUR EXPOSURE AT 95% RH AT 40°C WITHOUT EVIDENCE OF CORROSION.
 13. TERMINAL 1 LOCATED IN THIS ROW FOR REVERSE ORIENTATION.

DETAIL	ORIENTATION	PART NO
D	REVERSE	1 -2
A	STANDARD	555057-1

UNLESS OTHERWISE SPECIFIED DIMENSIONS ARE IN INCHES TOLERANCES ON:		CONTRACT NO
ANGLES	DECIMALS	DR C. Yates 9-29-86
MATERIAL		CHS 10-16-86
FINISH		APPD
OTHER A.P.P.O.		APPD

NAME	RECEPTACLE ASSEMBLY, SHIELDED, 50 POSITION, RIGHT ANGLE, BAIL LOCK, FLUSH PANEL MOUNTING WITH BOARD LOCK GROUND, CHAMP
SIZE	D
FSGM NO	00779
DRAWING NO	555057
SCALE	2:1
SHEET	1 OF 1