



Chipsmall Limited consists of a professional team with an average of over 10 year of expertise in the distribution of electronic components. Based in Hongkong, we have already established firm and mutual-benefit business relationships with customers from,Europe,America and south Asia,supplying obsolete and hard-to-find components to meet their specific needs.

With the principle of “Quality Parts,Customers Priority,Honest Operation,and Considerate Service”,our business mainly focus on the distribution of electronic components. Line cards we deal with include Microchip,ALPS,ROHM,Xilinx,Pulse,ON,Everlight and Freescale. Main products comprise IC,Modules,Potentiometer,IC Socket,Relay,Connector.Our parts cover such applications as commercial,industrial, and automotives areas.

We are looking forward to setting up business relationship with you and hope to provide you with the best service and solution. Let us make a better world for our industry!



Contact us

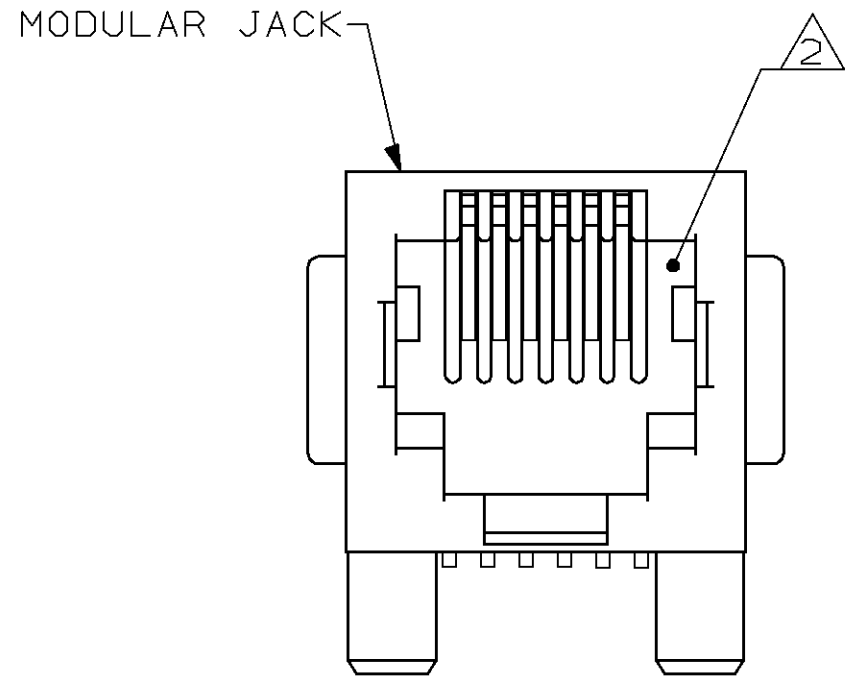
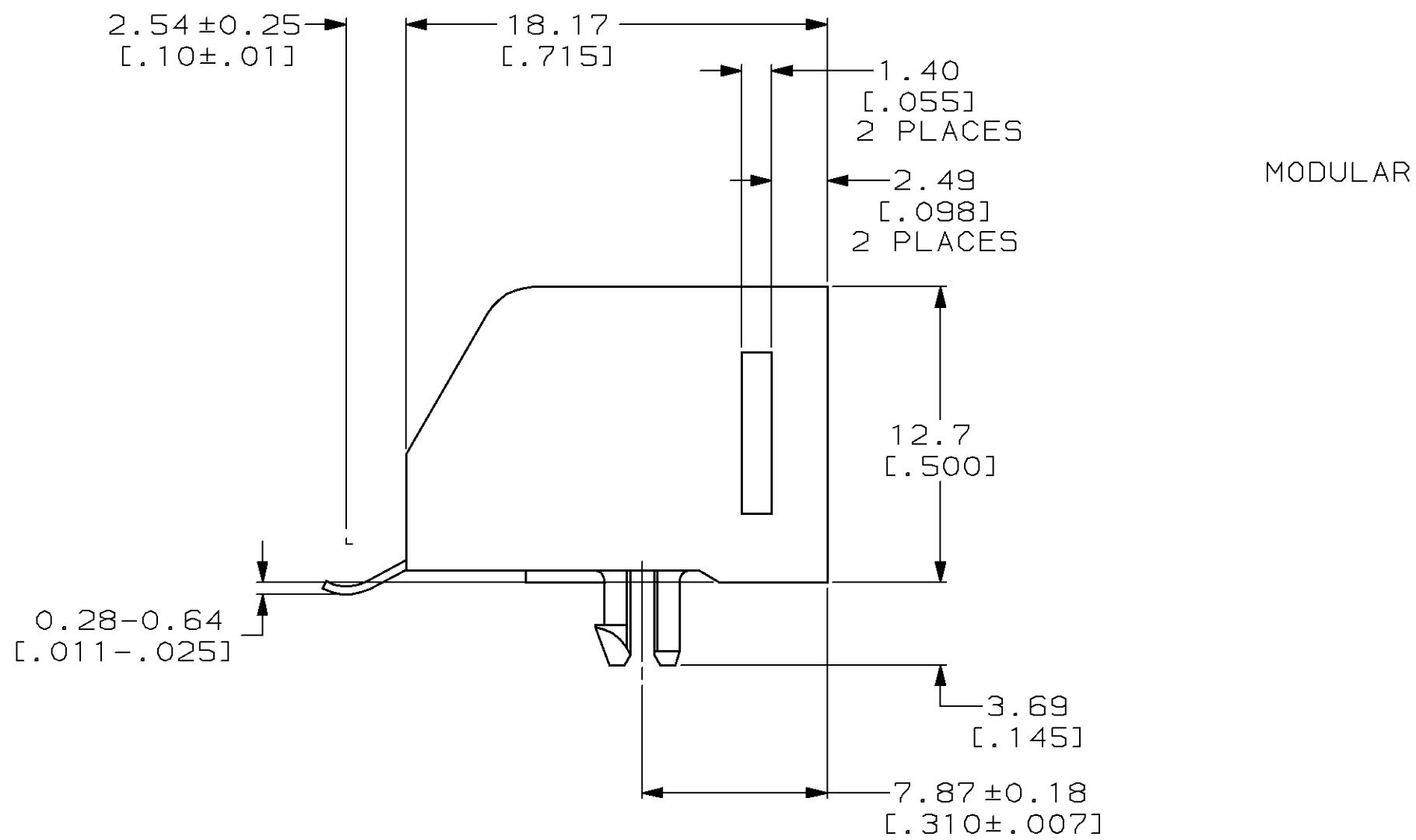
Tel: +86-755-8981 8866 Fax: +86-755-8427 6832

Email & Skype: info@chipsmall.com Web: www.chipsmall.com

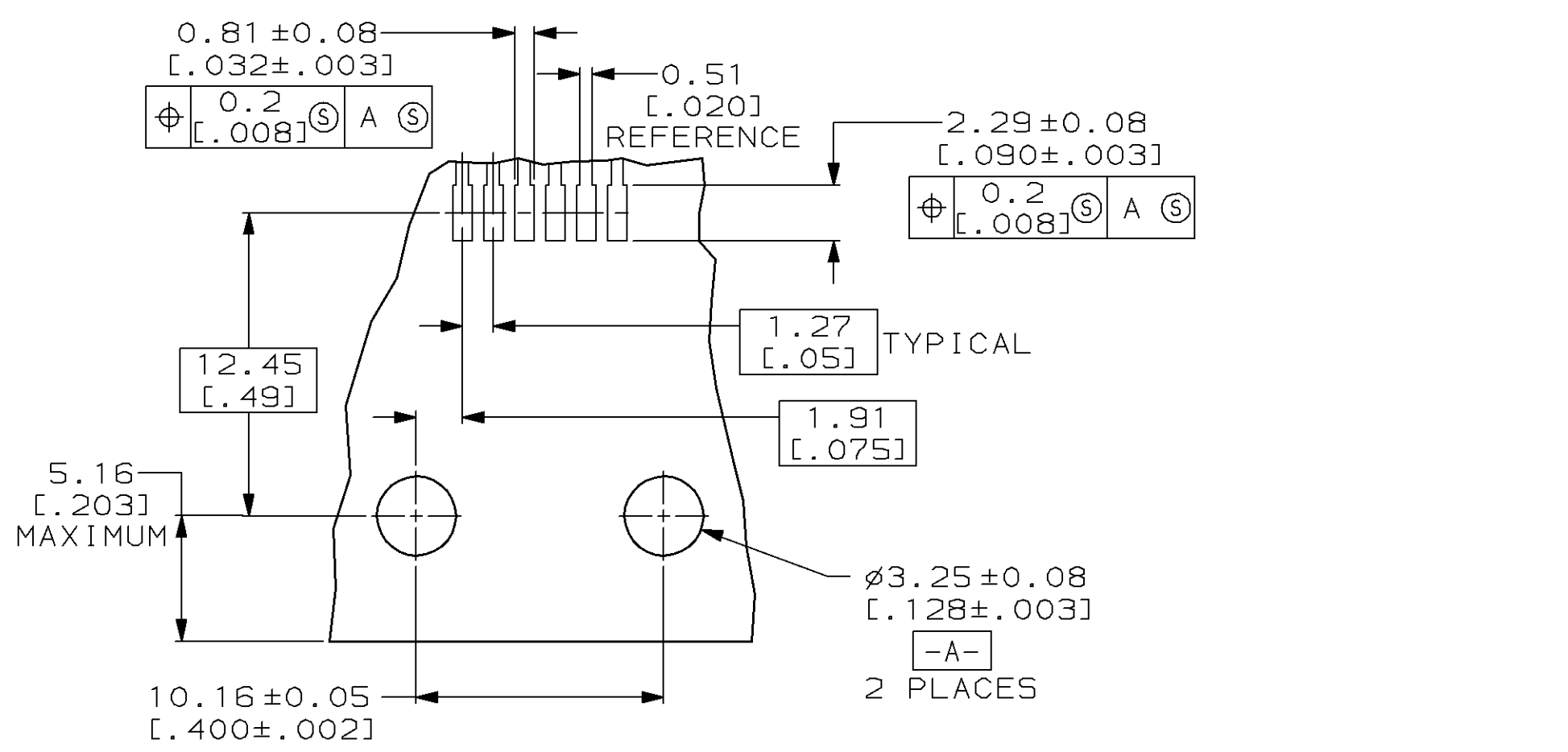
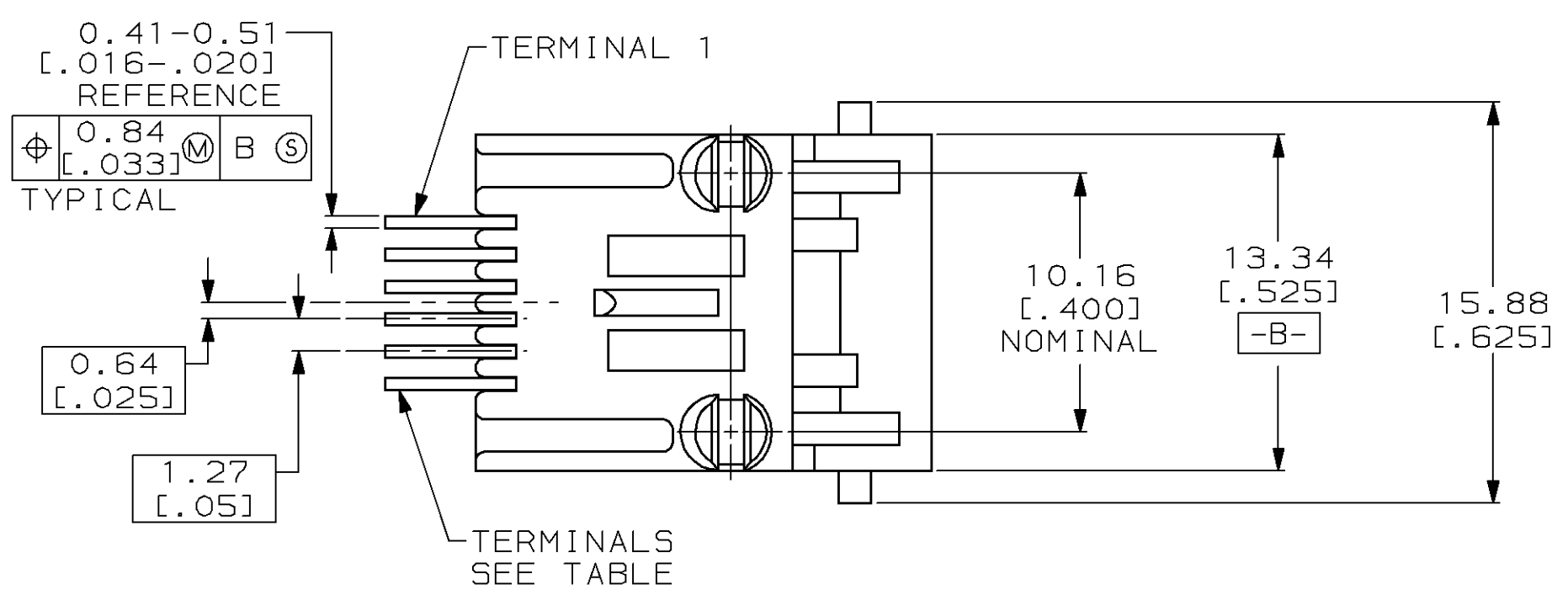
Address: A1208, Overseas Decoration Building, #122 Zhenhua RD., Futian, Shenzhen, China



LOC	DIST	P	F	REVISIONS			DATE	APPD
AA	22			ZONE	LTR	DESCRIPTION	23OCT97	DS EL
				M		REV; EC 0502-0711-97		



- 1 MATERIAL: HOUSING- HTN MOLDING COMPOUND, 94V0, BLACK. TERMINAL- 0.36 [.014] THICK PHOS BRONZE PLATED WITH 1.27µm [.000050] THICK HARD GOLD IN LOCALIZED GOLD PLATE AREA AND 2.03µm [.000150] THICK TIN-LEAD IN SOLDER AREA OVER 1.27µm [.000050] THICK NICKEL UNDERPLATE.
- 2 CAVITY CONFORMS TO FCC RULES AND REGULATIONS PART 68, SUBPART F.
- 3. SNAP-IN RETENTION FEATURE ACCOMMODATES A 1.57±0.13 [.062±.005] THICK PRINTED CIRCUIT BOARD.
- 4 DIMENSIONS ARE MAXIMUM UNLESS OTHERWISE SPECIFIED AND ARE PRIOR TO SURFACE MOUNT PROCESSING.
- 5 TERMINALS ASSEMBLED IN CENTER POSITIONS FOR -2.



PRINTED CIRCUIT BOARD LAYOUT

THIS DRAWING IS A CONTROLLED DOCUMENT FOR AMP INCORPORATED. IT IS SUBJECT TO CHANGE AND THE CONTROLLING ENGINEERING ORGANIZATION SHOULD BE CONTACTED FOR THE LATEST REVISION.

4	555077-2
6	555077-1
NUMBER OF TERMINALS	PART NO

DO NOT SCALE PRINT. UNLESS SPECIFIED DIMENSIONS IN mm [INCHES] TOLERANCES ON: 2 PLC DEC ±- 3 PLC DEC ±- ANGLES ±-	DR 9-27-95 D. STRAUSSER	AMP Incorporated Harrisburg, PA 17105-3608	NAME	
	CHK 10-17-95 N. JONES		MODULAR JACK ASSEMBLY, 6 POSITION, LOW PROFILE, RIGHT ANGLE, SURFACE MOUNT WITH PANEL STOPS	
MATERIAL	APPD 10-23-95 J. TONEY	SIZE		
	APPD 10-24-95 H. MCGRATH	C	00779	C=555077
FINISH	PRODUCT SPEC 108-1163	SCALE	4:1	SHEET
	APPLICATION SPEC 114-6040	1 OF 1		
WEIGHT	-	CUSTOMER DRAWING		