



Chipsmall Limited consists of a professional team with an average of over 10 year of expertise in the distribution of electronic components. Based in Hongkong, we have already established firm and mutual-benefit business relationships with customers from,Europe,America and south Asia,supplying obsolete and hard-to-find components to meet their specific needs.

With the principle of “Quality Parts,Customers Priority,Honest Operation,and Considerate Service”,our business mainly focus on the distribution of electronic components. Line cards we deal with include Microchip,ALPS,ROHM,Xilinx,Pulse,ON,Everlight and Freescale. Main products comprise IC,Modules,Potentiometer,IC Socket,Relay,Connector.Our parts cover such applications as commercial,industrial, and automotives areas.

We are looking forward to setting up business relationship with you and hope to provide you with the best service and solution. Let us make a better world for our industry!



Contact us

Tel: +86-755-8981 8866 Fax: +86-755-8427 6832

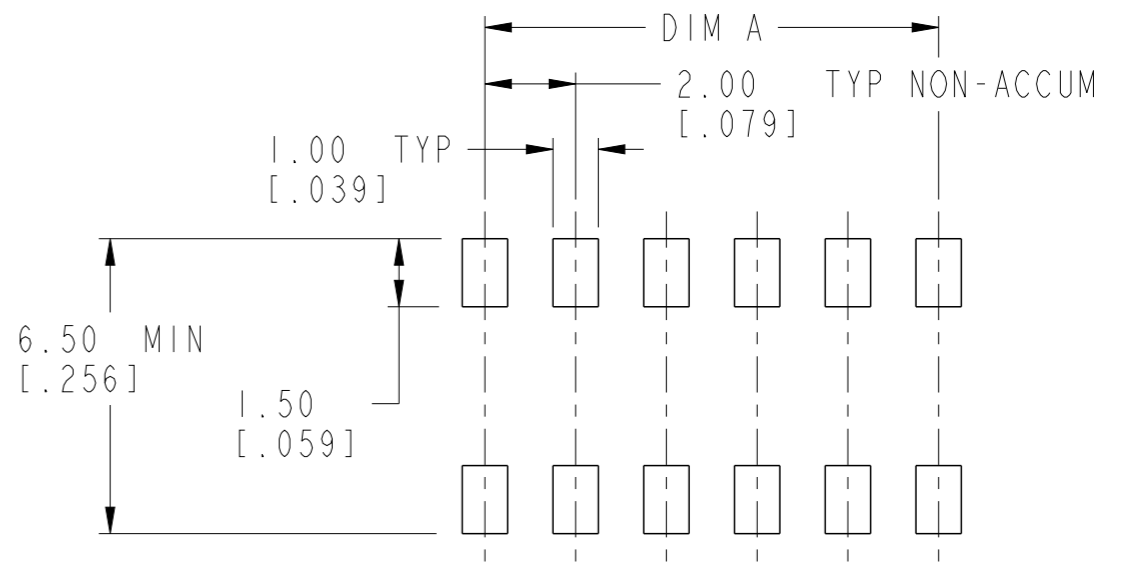
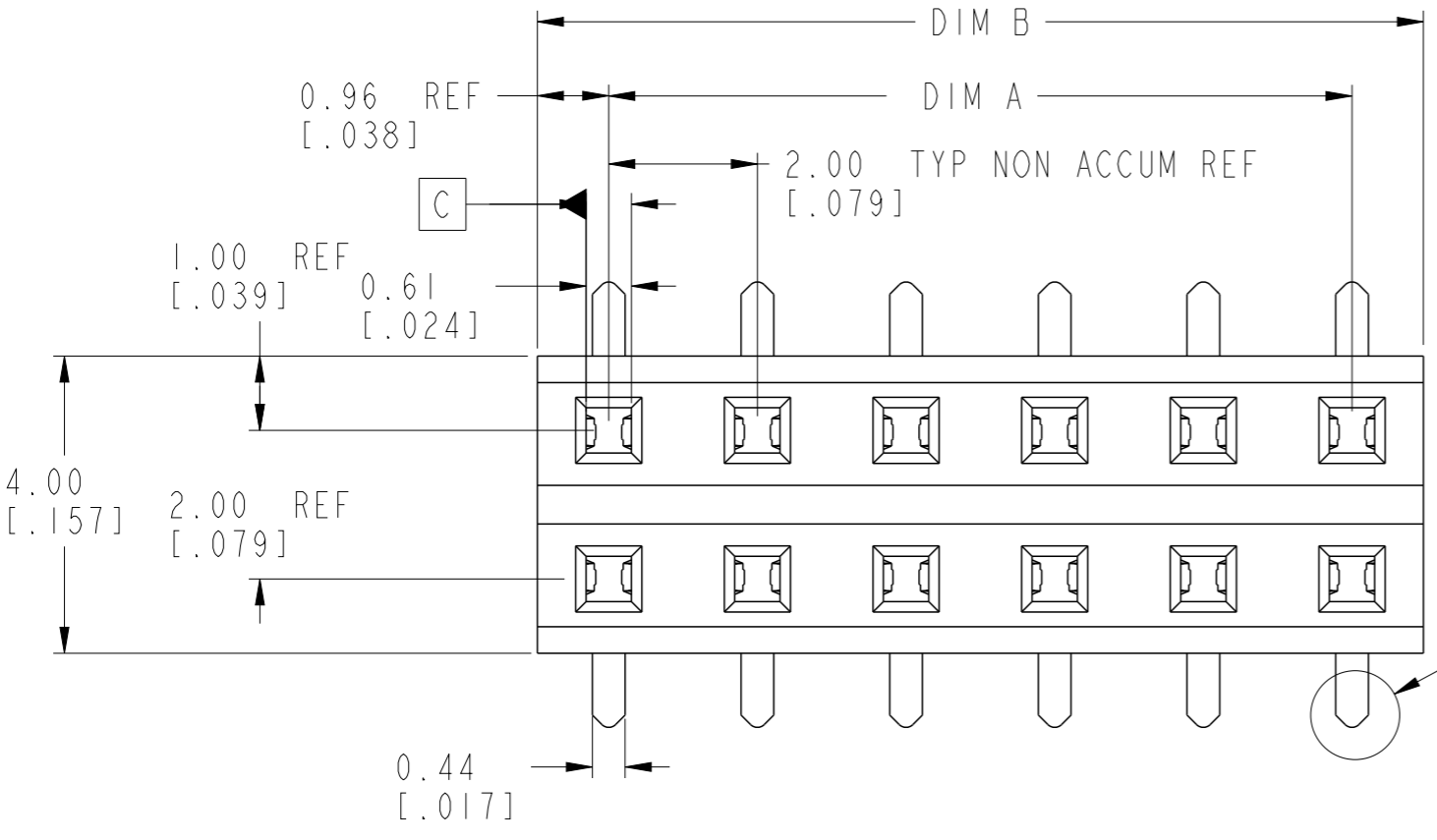
Email & Skype: info@chipsmall.com Web: www.chipsmall.com

Address: A1208, Overseas Decoration Building, #122 Zhenhua RD., Futian, Shenzhen, China





Copyright FCI.

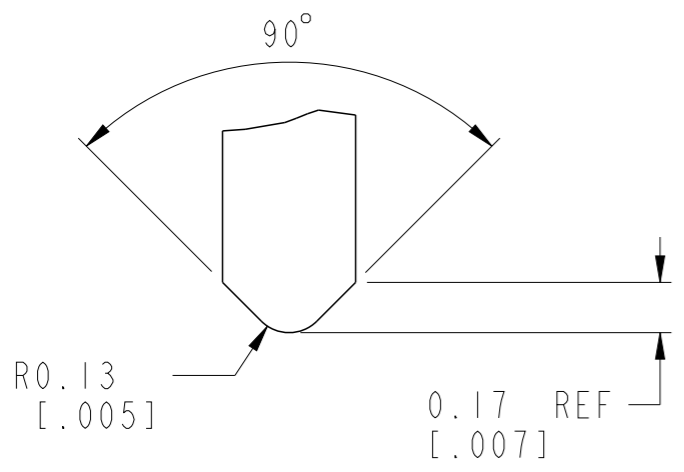
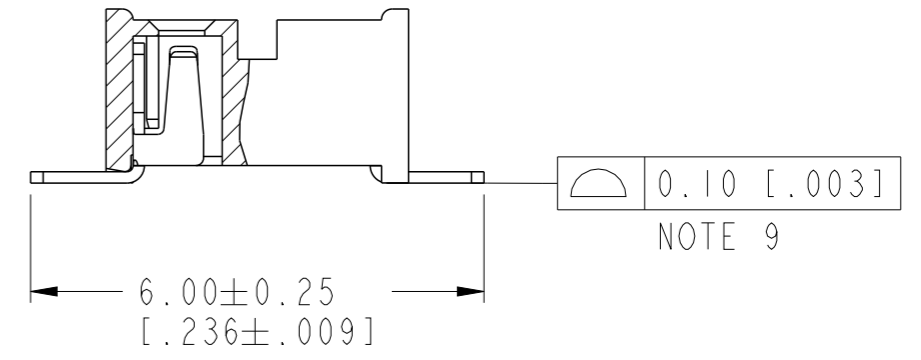
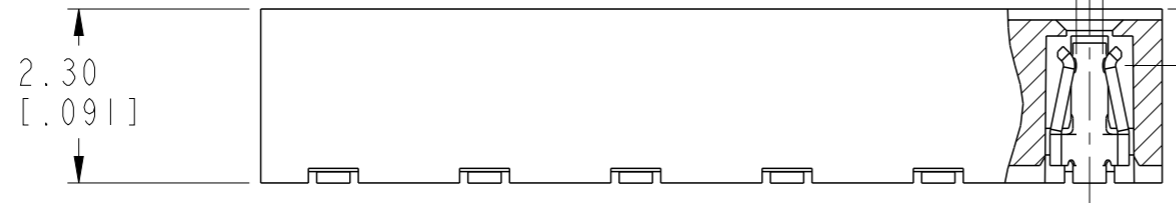


RECOMMENDED PCB LAYOUT

DETAIL NOTE A

⊕ 0.20 [.007] Ⓢ Ⓢ

0.75 REF [.029]



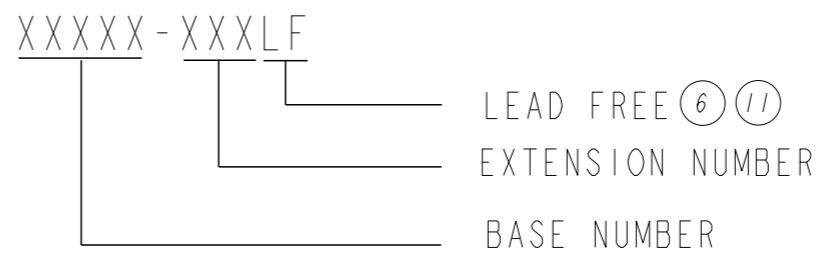
DETAIL A SCALE 40:1

spec ref	-	dr	Andrew Yong	2010/10/20	projection	MM / INCH	size	A3	scale	3:1
tolerance std	ISO 406 ISO 1101	eng	Guo-Min Sun	2013/12/11			ecn no		ELX-N-16502-1	
TOLERANCES UNLESS OTHERWISE SPECIFIED		chr	-	-			rel level		Released	
surface	✓	appr	Rick Bian	2013/12/12	product family	-	dwg no		55508	
ISO 1302	linear			LOW PROFILE VCC 2.3 TOP ENTRY SMT ASSY		rev	J		sheet 1 of 2	
	angular	0°	±2°	www.fci.com	cat. no.	-	Product - Customer Drw		Printed: Dec 12, 2013	

PRODUCT NO (5) (6)	POSITIONS	DIM. A	DIM.B
55508-X04	2 X 2	2.00 / .079	3.92 / .154
-X06	2 X 3	4.00 / .158	5.92 / .233
-X08	2 X 4	6.00 / .236	7.92 / .312
-X10	2 X 5	8.00 / .315	9.92 / .391
-X12	2 X 6	10.00 / .394	11.92 / .469
-X14	2 X 7	12.00 / .472	13.92 / .548
-X16	2 X 8	14.00 / .551	15.92 / .627
-X18	2 X 9	16.00 / .630	17.92 / .706
-X20	2 X 10	18.00 / .709	19.92 / .784
-X22	2 X 11	20.00 / .787	21.92 / .863
-X24	2 X 12	22.00 / .866	23.92 / .942
-X26	2 X 13	24.00 / .945	25.92 / 1.020
-X28	2 X 14	26.00 / 1.024	27.92 / 1.099
-X30	2 X 15	28.00 / 1.102	29.92 / 1.178
-X32	2 X 16	30.00 / 1.181	31.92 / 1.257
-X34	2 X 17	32.00 / 1.260	33.92 / 1.335
-X36	2 X 18	34.00 / 1.339	35.92 / 1.414
-X38	2 X 19	36.00 / 1.417	37.92 / 1.493
-X40	2 X 20	38.00 / 1.496	39.92 / 1.572
-X42	2 X 21	40.00 / 1.575	41.92 / 1.650
-X44	2 X 22	42.00 / 1.654	43.92 / 1.729
-X46	2 X 23	44.00 / 1.732	45.92 / 1.808
-X48	2 X 24	46.00 / 1.811	47.92 / 1.887
-X50	2 X 25	48.00 / 1.890	49.92 / 1.965

NOTES:

- HOUSING MAT'L : HIGH TEMP PLASTIC.
- TERMINAL MAT'L : PHOSPHOR BRONZE.
- TERMINAL RETENTION 0.5Kg/1.1 Lbs
- 'V' CUT OPTIONAL - MANUFACTURING PROCESS OPTION.
- SOLDER TAILS OF P/N:55508-XXX IS TIN/LEAD PLATED.
- SOLDER TAILS OF P/N:55508-XXXLF IS 100% MATTE TIN PLATED.
- PRODUCT DESCRIPTION CODE:



- PACKAGING:
 - (a) XXXXX-XXX ---STD PACKAGING IN TUBE.
 - (b) XXXXX-XXXTR ---TAPE AND REEL PACKAGING WITH PICK-UP CAP (SEE FIG 1).
 - (c) XXXXX-XXXTRN ---TAPE AND REEL PACKAGING WITHOUT PICK-UP CAP.
 - (d) XXXXX-XXXTRS ---TAPE AND REEL PACKAGING WITHOUT PICK-UP CAP. (SOLDERTAILS ON TOP)
- CO-PLANARITY:
 - FROM POSITION - X04 THRU -X38 : 0.10 / .004
 - X40 THRU -X50 : 0.12 / .005
- THE HOUSING WILL WITHSTAND EXPOSURE TO 255°C PEAK TEMPERATURE FOR 10 SECONDS IN A CONVECTION, INFRA-RED OR VAPOR PHASE REFLOW OVEN.
- THIS PRODUCT MEETS EUROPEAN UNION DIRECTIVES AND OTHER COUNTRY REGULATIONS AS DESCRIBED IN GS-22-008.

PLATING OPTIONS OVER CONTACT AREA

0 = 0.05um/2u"Au
1 = 0.76um/30u"Au
3 = 0.38um/15u"Au
5 = 2.54um/100u"MATTE Tin
7 = 0.76um/30u"GXT
8 = 0.38um/15u"GXT



Copyright FCI.

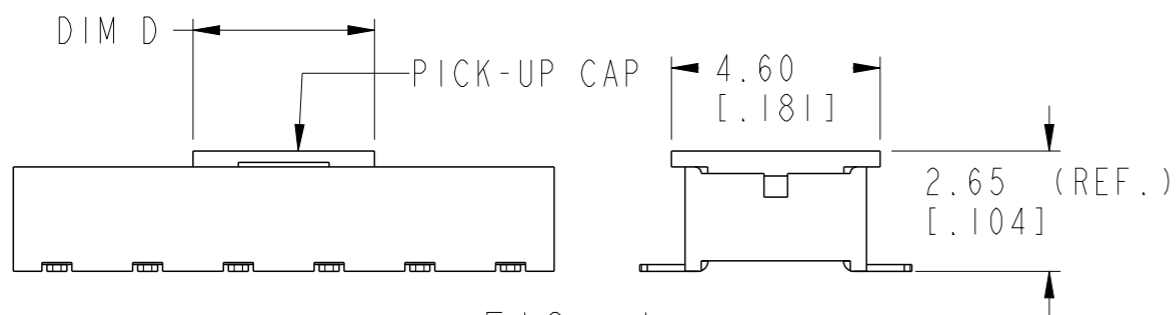


FIG. 1

DIM D=4.0 APPLY TO POS 2X2
 DIM D=6.0 APPLY TO POS 2X3 ~ 2X25

spec ref	-	dr	Andrew Yong	2010/10/20	projection	MM / INCH	size	A3	scale	3:1
tolerance std	ISO 406 ISO 1101	eng	Guo-Min Sun	2013/12/11			ecn no	ELX-N-16502-1	rel level	Released
TOLERANCES UNLESS OTHERWISE SPECIFIED		chr	-	2013/12/12						
surface	ISO 1302	appr	Rick Bian	2013/12/12			dwg no	55508	rev	J
	linear	0.X	±0.3	LOW PROFILE VCC 2.3						
		0.XX	±.13	TOP ENTRY SMT ASSY						
		0.XXX	±.051							
	angular	0°	±2°	www.fci.com	cat. no.	-	Product - Customer Drw	sheet 2 of 2		