



Chipsmall Limited consists of a professional team with an average of over 10 year of expertise in the distribution of electronic components. Based in Hongkong, we have already established firm and mutual-benefit business relationships with customers from,Europe,America and south Asia,supplying obsolete and hard-to-find components to meet their specific needs.

With the principle of “Quality Parts,Customers Priority,Honest Operation,and Considerate Service”,our business mainly focus on the distribution of electronic components. Line cards we deal with include Microchip,ALPS,ROHM,Xilinx,Pulse,ON,Everlight and Freescale. Main products comprise IC,Modules,Potentiometer,IC Socket,Relay,Connector.Our parts cover such applications as commercial,industrial, and automotives areas.

We are looking forward to setting up business relationship with you and hope to provide you with the best service and solution. Let us make a better world for our industry!



Contact us

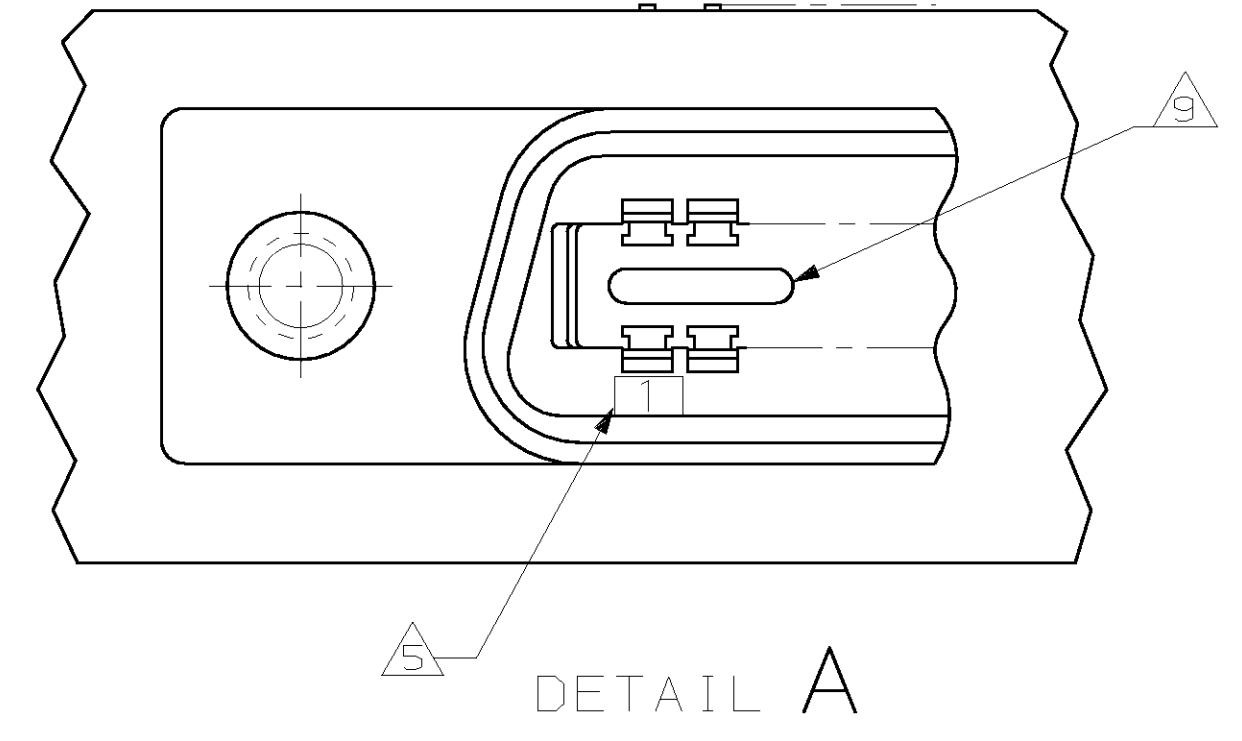
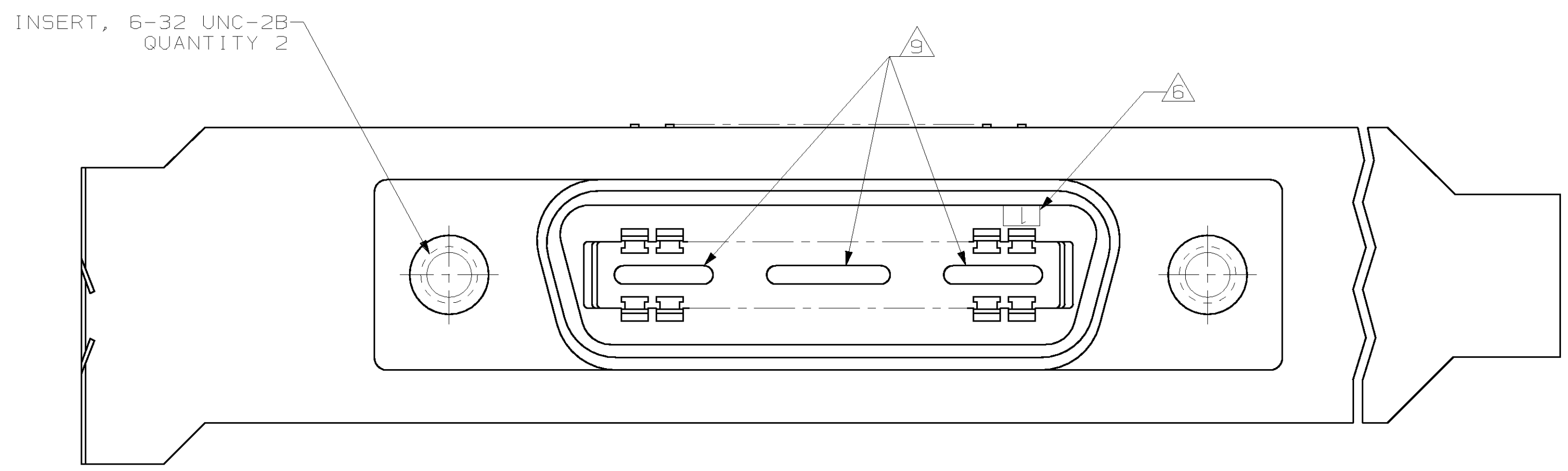
Tel: +86-755-8981 8866 Fax: +86-755-8427 6832

Email & Skype: info@chipsmall.com Web: www.chipsmall.com

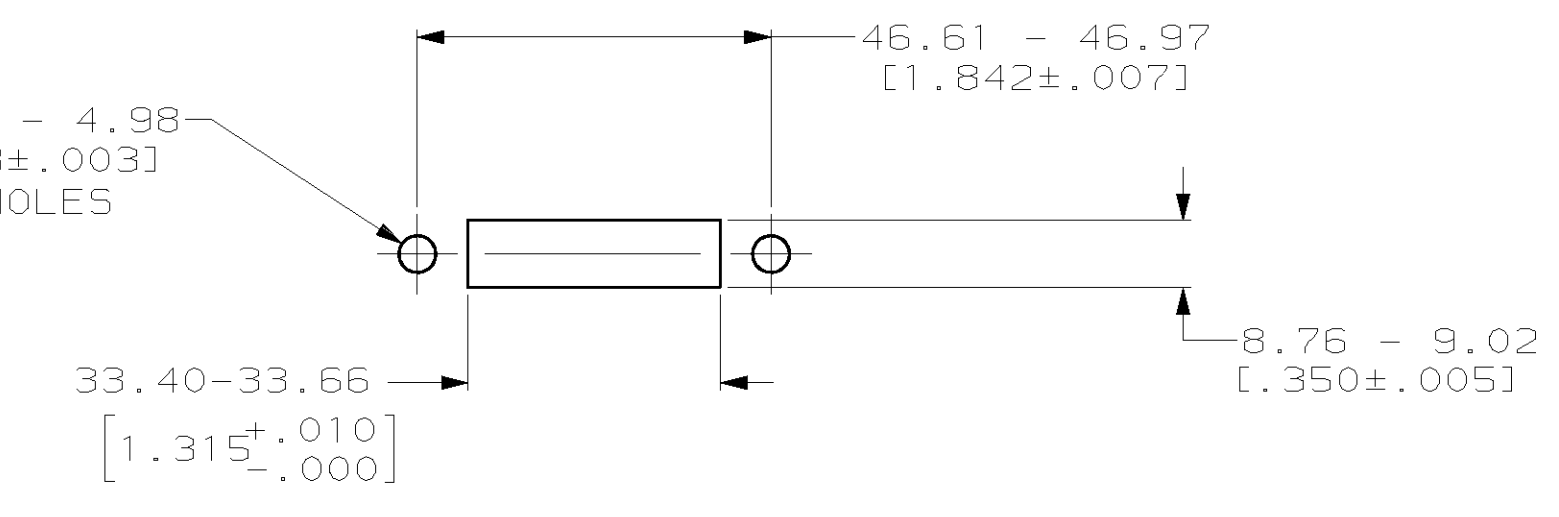
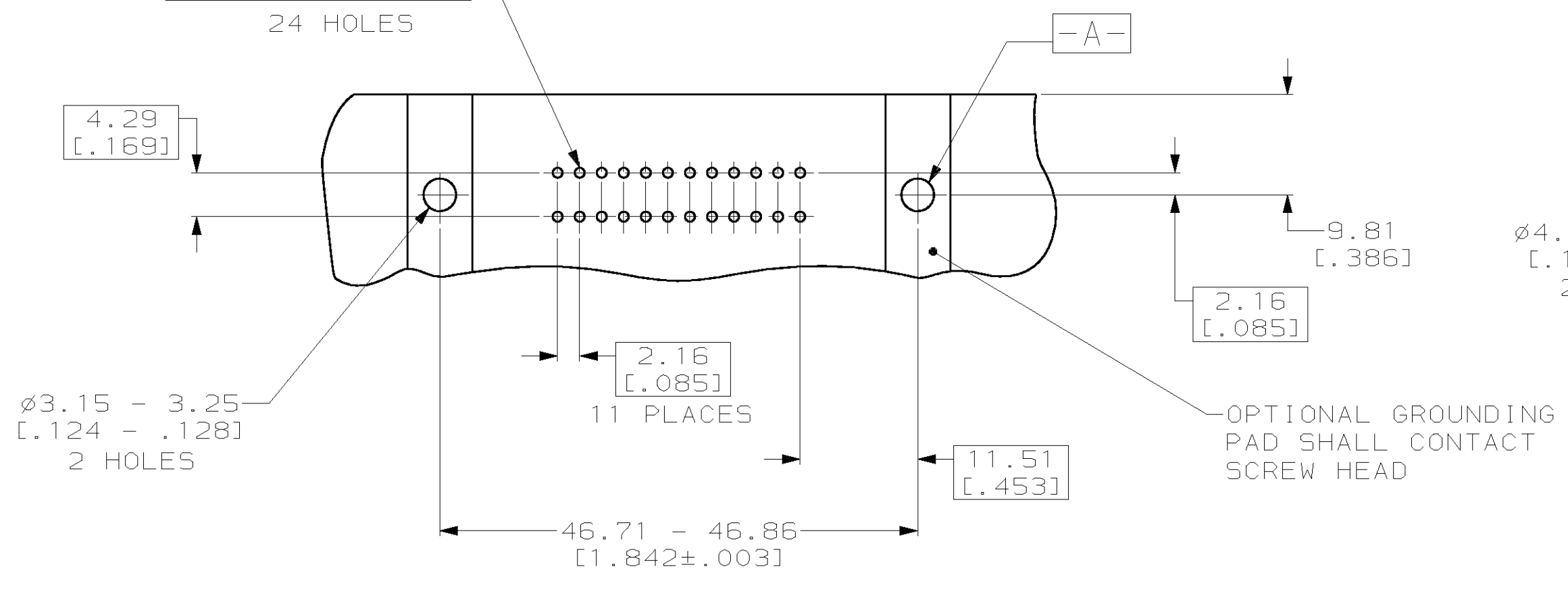
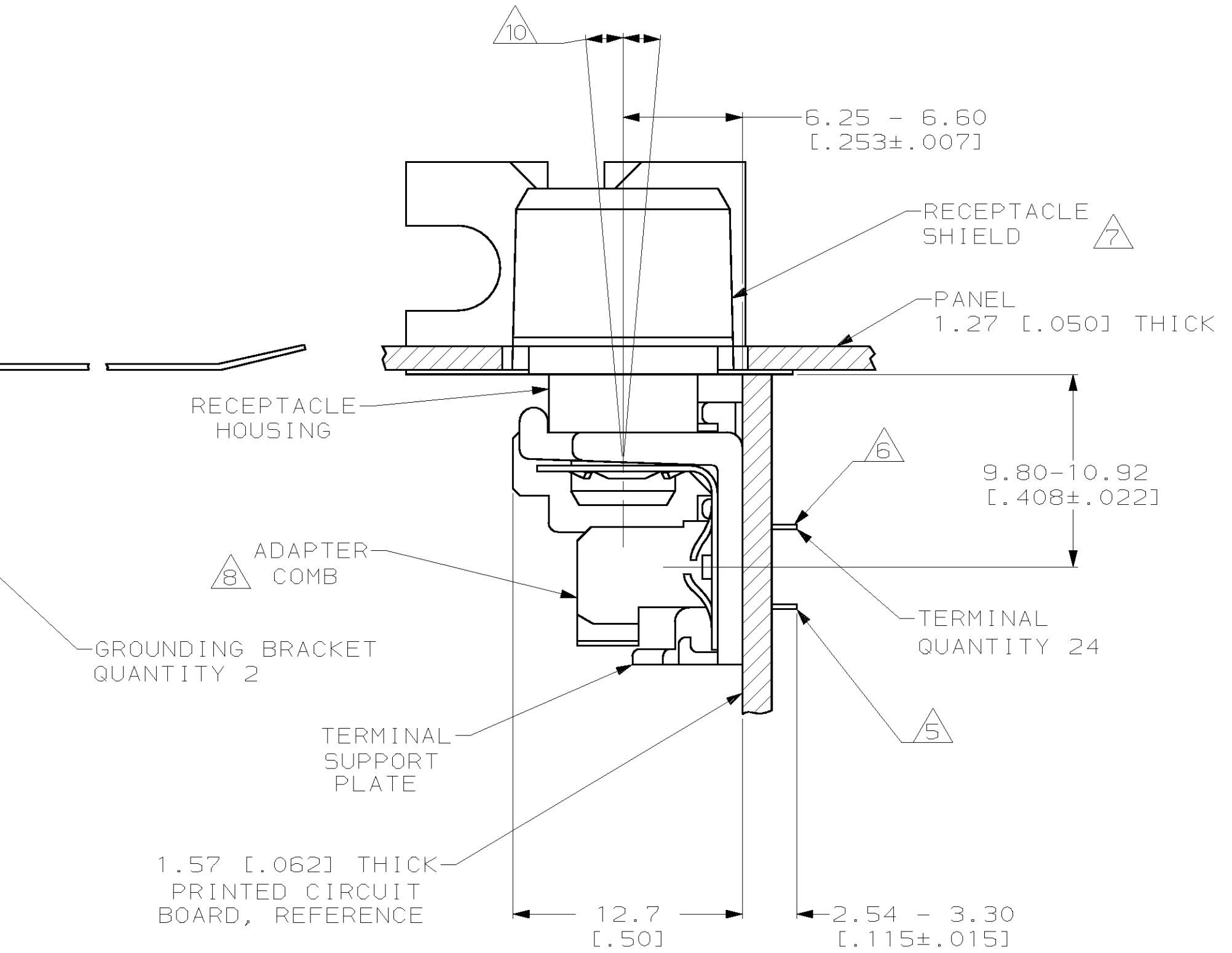
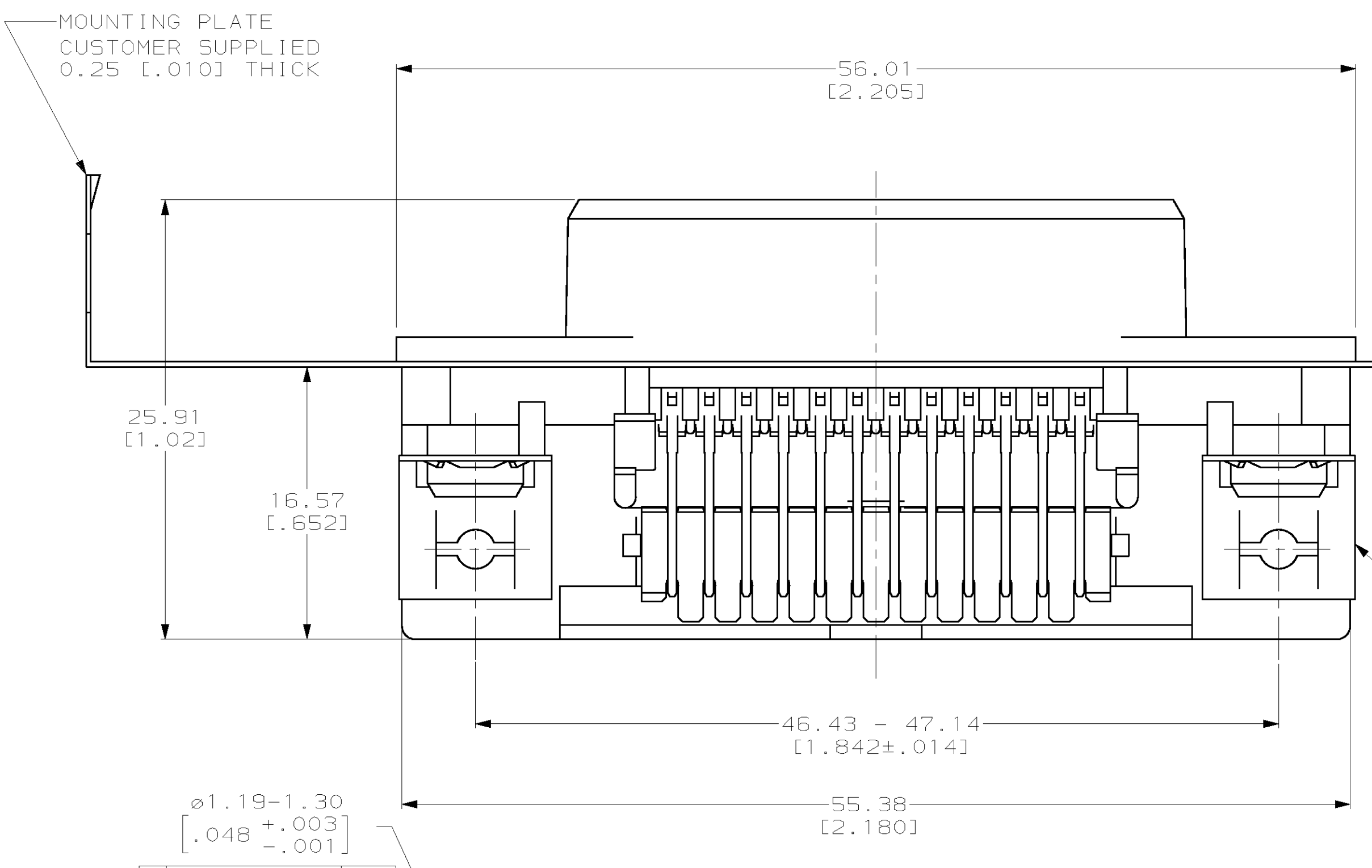
Address: A1208, Overseas Decoration Building, #122 Zhenhua RD., Futian, Shenzhen, China



LOC	DIST	REV	DESCRIPTION	DATE	OWN	APPRO
AA	20	E	REVISED PER EC 0515-0383-02	13NOV02	DD	RM



- △ MATERIAL: SUPPORT PLATE, HOUSING AND ADAPTER COMB - POLYESTER, BLACK.
 RECEPTACLE SHIELD - NICKEL OVER COPPER PLATED ZINC.
 TERMINAL - PHOSPHOR BRONZE PLATED WITH 0.76µm [.000030] MINIMUM GOLD ON MATING SURFACE AND 3.05µm [.000120] MINIMUM MATTE TIN-LEAD ON TAILS OVER 1.27µm [.000050] MINIMUM NICKEL UNDERPLATE OVER ENTIRE TERMINAL.
 GROUND BRACKET - ZINC PLATED CARBON STEEL.
- 2. THE CONTACT SURFACES OF THE TERMINALS ARE COATED WITH LUBRICANT.
- 3. CENTER-TO-CENTER SPACING OF TERMINALS IS 2.16 [.085] NOMINAL.
- △ DIMENSIONS ARE MAXIMUM UNLESS OTHERWISE SPECIFIED.
- △ TERMINAL 1 LOCATED IN THIS ROW FOR STANDARD ORIENTATION.
- △ TERMINAL 1 LOCATED IN THIS ROW FOR REVERSE ORIENTATION.
- △ SHIELD SHIPPED NOT ASSEMBLED.
- △ ADAPTER COMB SHALL BE PARTIALLY RETRACTED BEFORE INSERTING CONNECTOR INTO PRINTED CIRCUIT BOARD.
- △ THIS FEATURE IS A CORED AREA AND IS OPTIONAL ON PART.
- △ CONNECTOR MATING FACE MAY VARY UP TO 5 DEGREES IN EITHER DIRECTION FROM NOMINAL.



SUGGESTED PRINTED CIRCUIT BOARD MOUNTING DIMENSIONS
SCALE 2:1

SUGGESTED BRACKET MOUNTING CUTOUT DIMENSIONS
SCALE 1:1

SEE DETAIL "A"	STANDARD	555139-2
AS SHOWN	REVERSE	555139-1
DESCRIPTION	ORIENTATION	PART NUMBER

THIS DRAWING IS A CONTROLLED DOCUMENT.

DIMENSIONS mm [INCHES]	TOLERANCES UNLESS OTHERWISE SPECIFIED.	0 PLC ±.015	1 PLC ±.010	2 PLC ±.008	3 PLC ±.005	4 PLC ±.003	ANGLES ±.005	FINISH
---------------------------	--	-------------	-------------	-------------	-------------	-------------	--------------	--------

AMP TYCO Electronics
 Harrisburg, PA 17105-3608

NAME: RECEPTACLE ASSEMBLY, 24 POSITION, RIGHT ANGLE, SHIELDED, LOW PROFILE, WITH GROUNDING BRACKET, CHAMP

SIZE: A1 CAGE CODE: 00779 DRAWING NO: 555139

CUSTOMER DRAWING SCALE: 4:1 SHEET: 1 OF 1 REV: E