



Chipsmall Limited consists of a professional team with an average of over 10 year of expertise in the distribution of electronic components. Based in Hongkong, we have already established firm and mutual-benefit business relationships with customers from,Europe,America and south Asia,supplying obsolete and hard-to-find components to meet their specific needs.

With the principle of “Quality Parts,Customers Priority,Honest Operation,and Considerate Service”,our business mainly focus on the distribution of electronic components. Line cards we deal with include Microchip,ALPS,ROHM,Xilinx,Pulse,ON,Everlight and Freescale. Main products comprise IC,Modules,Potentiometer,IC Socket,Relay,Connector.Our parts cover such applications as commercial,industrial, and automotives areas.

We are looking forward to setting up business relationship with you and hope to provide you with the best service and solution. Let us make a better world for our industry!



Contact us

Tel: +86-755-8981 8866 Fax: +86-755-8427 6832

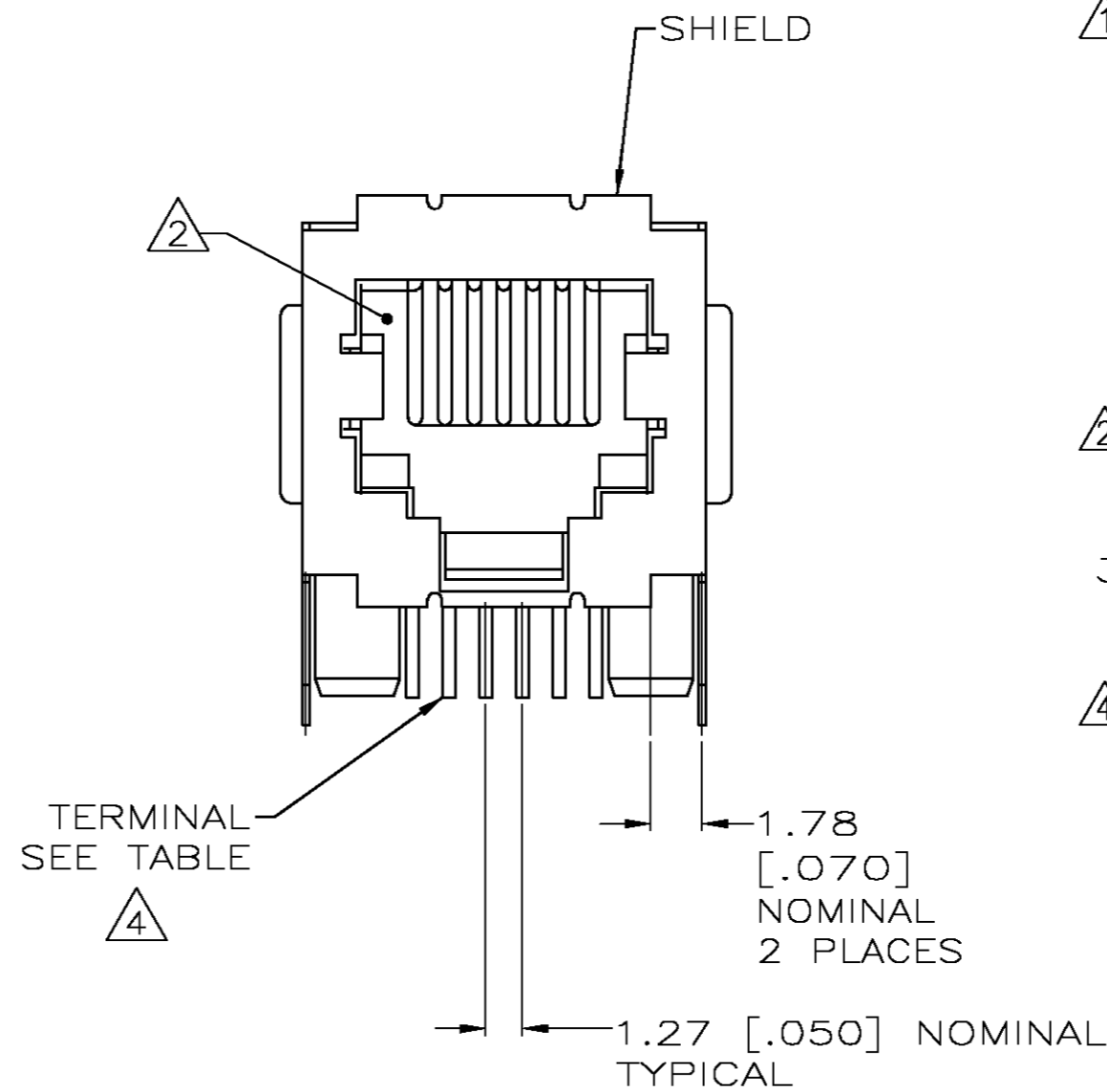
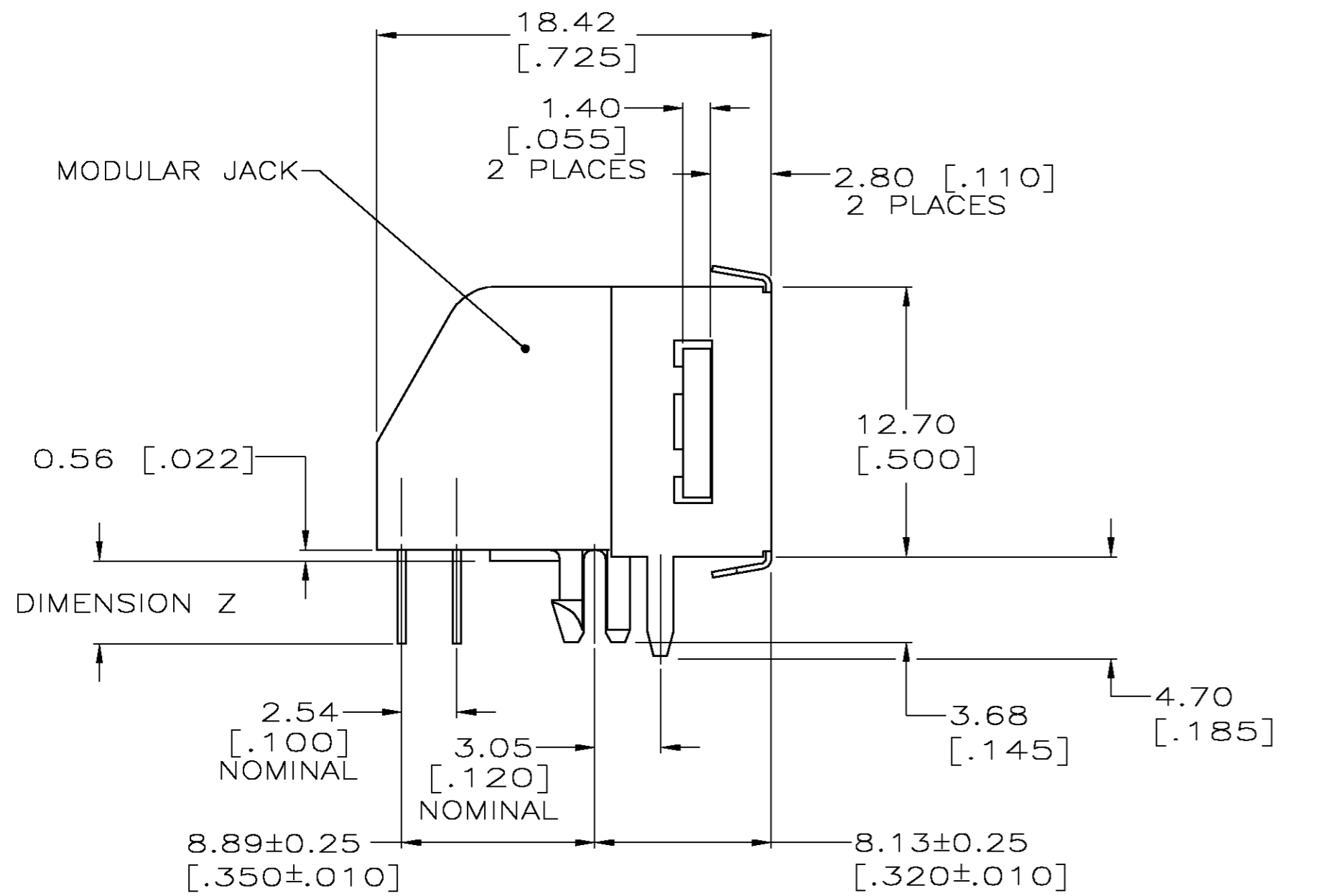
Email & Skype: info@chipsmall.com Web: www.chipsmall.com

Address: A1208, Overseas Decoration Building, #122 Zhenhua RD., Futian, Shenzhen, China

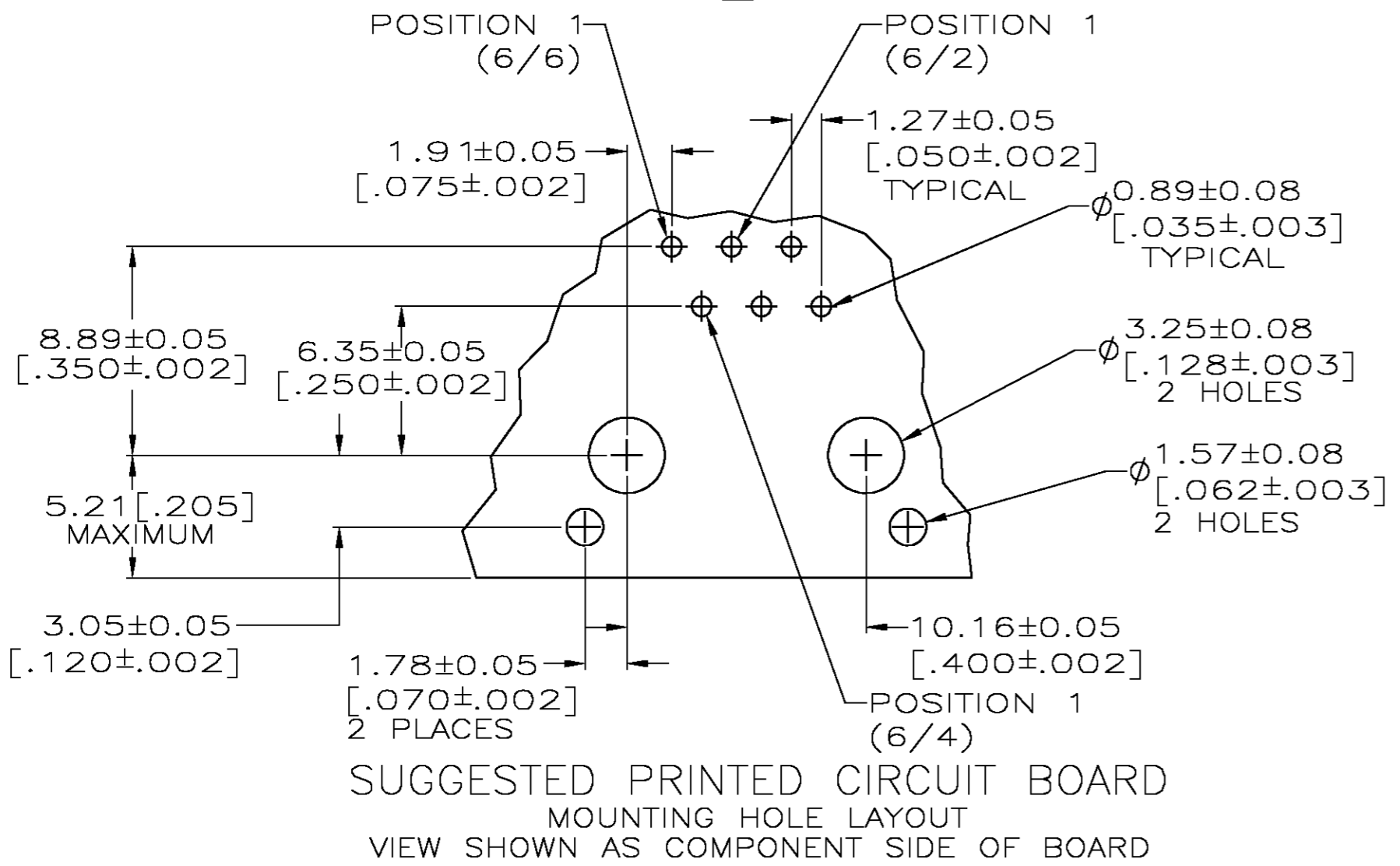
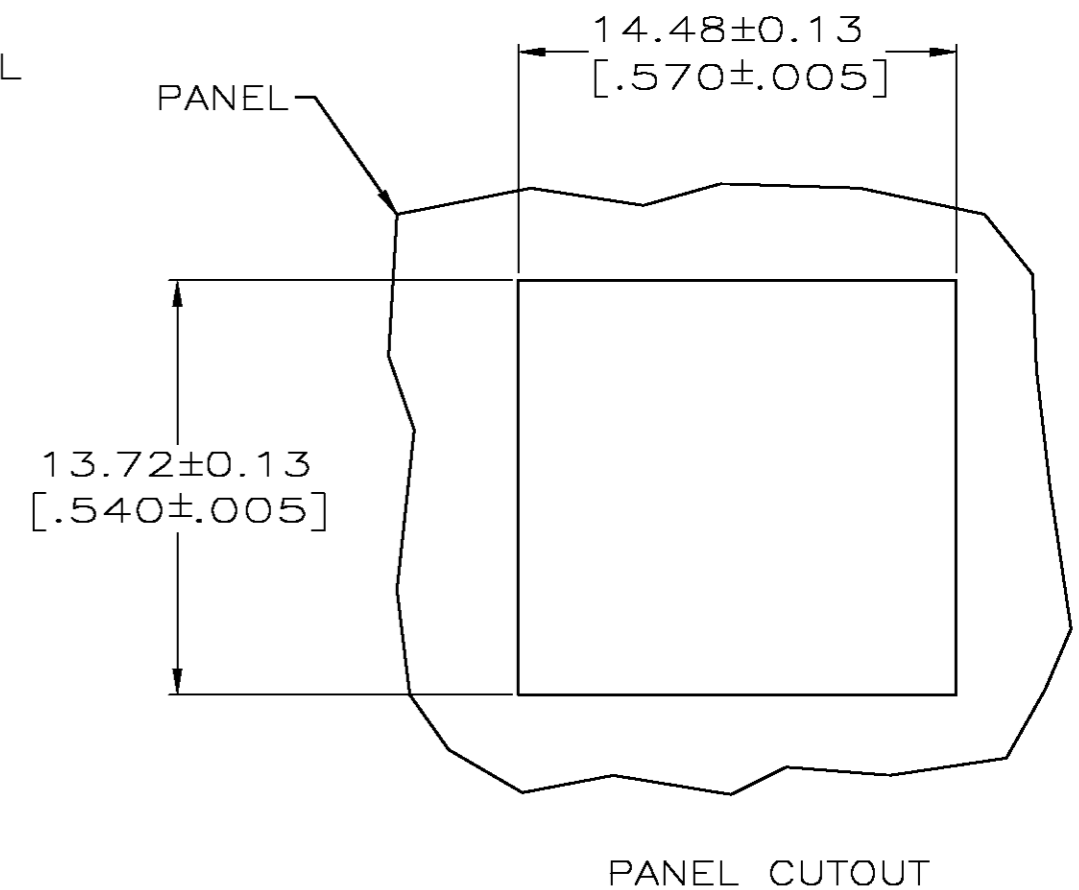
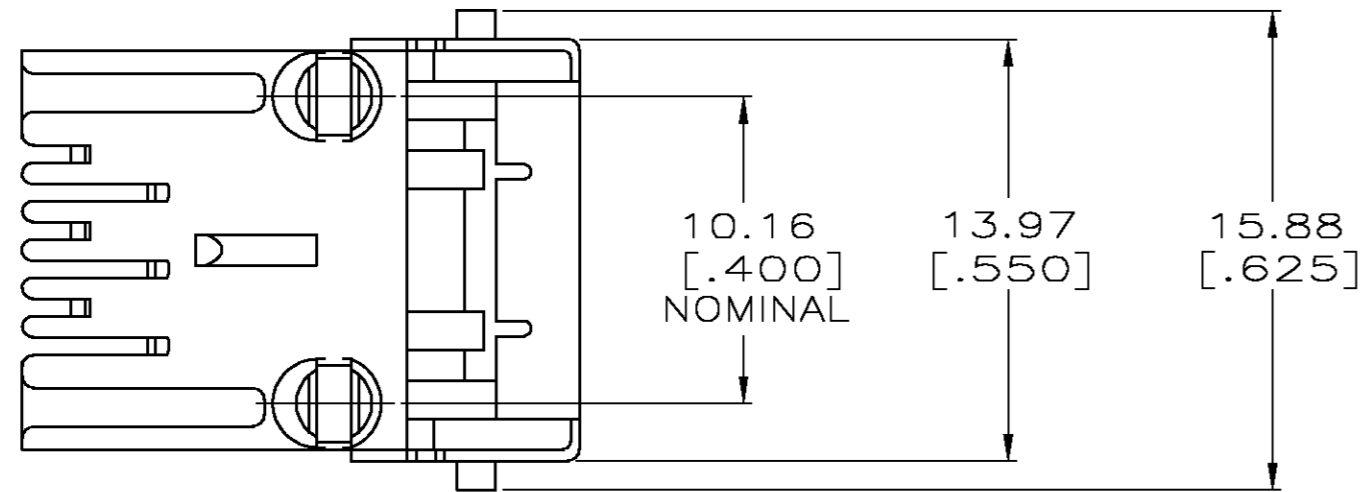


THIS DRAWING IS UNPUBLISHED. RELEASED FOR PUBLICATION
 © COPYRIGHT BY TYCO ELECTRONICS CORPORATION. ALL RIGHTS RESERVED.

LOC	DIST	REVISIONS					
GP	00	P	LTR	DESCRIPTION	DATE	DWN	APVD
		L		REVISED PER EC OS11-0018-04	28JAN04	JB	BK



- 1 MATERIAL: HOUSING - PBT POLYESTER, BLACK. TERMINAL - 0.36[.014] THICK PHOS-BRONZE PLATED WITH 1.27um[.000050] THICK HARD GOLD IN LOCALIZED GOLD PLATE AREA AND 2.03um[.000080] THICK TIN LEAD IN SOLDER AREA OVER 1.27um[.000050] THICK NICKEL UNDERPLATE. SHIELD - 0.25[.010] THICK COPPER ALLOY, TIN-LEAD PLATED.
- 2 CAVITY CONFORMS TO FCC RULES AND REGULATIONS PART 68, SUBPART F.
- 3. ALL DIMENSIONS SHOWN ARE MAXIMUM UNLESS OTHERWISE SPECIFIED.
- 4 TERMINALS FOR 555140-2 AND 555140-5 LOCATED IN CENTER POSITIONS.



DIMENSION Z	TERMINALS REQUIRED	PART NUMBER
.150±.020	2	555140-5
.100±.010	6	555140-4
.150±.020	4	555140-2
.150±.020	6	555140-1

SUPERSEDED BY 555163-5

THIS DRAWING IS A CONTROLLED DOCUMENT.		DWN G. GARRETT 7-11-95	Tyco Electronics Corporation	
DIMENSIONS: MM		CHK N. JONES 8-25-95	NAME J. TONEY	
TOLERANCES UNLESS OTHERWISE SPECIFIED:		APVD J. TONEY 9-1-95	PRODUCT SPEC 108-1163	
0 PLC ± -		APPLICATION SPEC 114-2048		
1 PLC ± -		SIZE A2		
2 PLC ± -		CAGE CODE 00779		
3 PLC ± -		DRAWING NO C=555140		
4 PLC ± -		RESTRICTED TO		
ANGLES ± -		SCALE 4:1		
FINISH		SHEET 1 OF 1		
		REV L		