



Chipsmall Limited consists of a professional team with an average of over 10 year of expertise in the distribution of electronic components. Based in Hongkong, we have already established firm and mutual-benefit business relationships with customers from,Europe,America and south Asia,supplying obsolete and hard-to-find components to meet their specific needs.

With the principle of “Quality Parts,Customers Priority,Honest Operation,and Considerate Service”,our business mainly focus on the distribution of electronic components. Line cards we deal with include Microchip,ALPS,ROHM,Xilinx,Pulse,ON,Everlight and Freescale. Main products comprise IC,Modules,Potentiometer,IC Socket,Relay,Connector.Our parts cover such applications as commercial,industrial, and automotives areas.

We are looking forward to setting up business relationship with you and hope to provide you with the best service and solution. Let us make a better world for our industry!



## Contact us

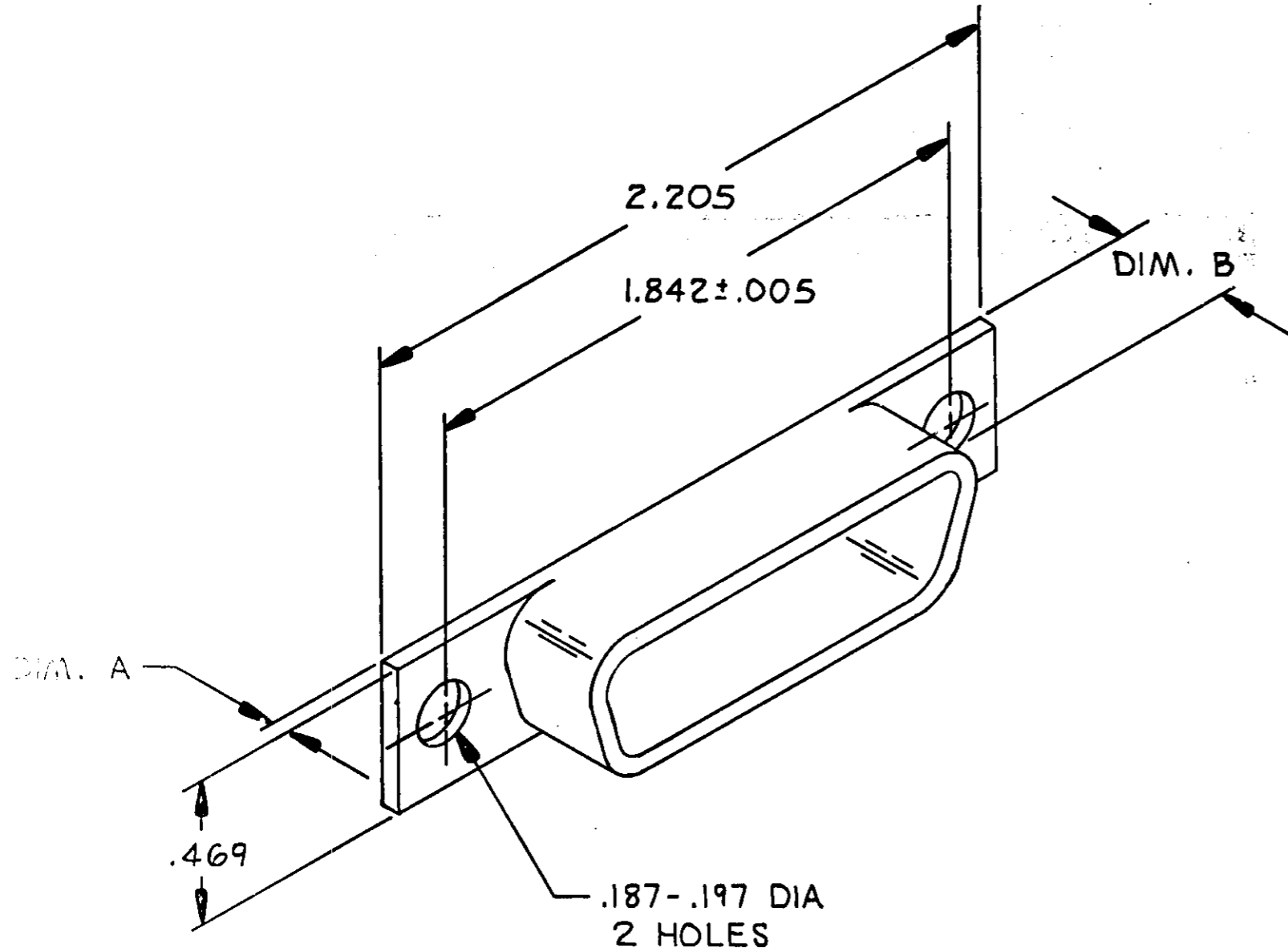
Tel: +86-755-8981 8866 Fax: +86-755-8427 6832

Email & Skype: info@chipsmall.com Web: www.chipsmall.com

Address: A1208, Overseas Decoration Building, #122 Zhenhua RD., Futian, Shenzhen, China



REVISIONS						
P	F	ZONE	LTR	DESCRIPTION	DATE	APPROVED
A			A	ADD -2; NPI C87-5	1-21-87	<i>[Signature]</i>



- ALL DIMENSIONS SHOWN ARE MAXIMUM UNLESS OTHERWISE SPECIFIED.
- BRIGHT NICKEL OVER COPPER PLATED ZINC DIE CASTING.

.393	.073	55514G-2
.373	.053	55514G-1
DIM. B	DIM. A	PART NO

UNLESS OTHERWISE SPECIFIED DIMENSIONS ARE IN INCHES. TOLERANCES ON: DECIMALS ± ANGLES ±	CONTRACT NO	<b>AMP</b> AMP INCORPORATED Harrisburg, Pa.		
	DR <i>V.E. Slack 1/15/87</i>			
	MATERIAL	CHK <i>A. Fox 1-16-87</i>	NAME	
	APPD <i>[Signature]</i> APPD <i>[Signature]</i> DSGN APPD <i>[Signature]</i> OTHER APPD	SHIELD, RECEPTACLE, 24 POSITION, RIGHT ANGLE, CHAMP®	SIZE	FSCM NO
FINISH		<b>B</b>	00779	55514G
		SCALE 2:1	SHEET 1 OF 1	

CUSTOMER DRAWING