



Chipsmall Limited consists of a professional team with an average of over 10 year of expertise in the distribution of electronic components. Based in Hongkong, we have already established firm and mutual-benefit business relationships with customers from,Europe,America and south Asia,supplying obsolete and hard-to-find components to meet their specific needs.

With the principle of “Quality Parts,Customers Priority,Honest Operation,and Considerate Service”,our business mainly focus on the distribution of electronic components. Line cards we deal with include Microchip,ALPS,ROHM,Xilinx,Pulse,ON,Everlight and Freescale. Main products comprise IC,Modules,Potentiometer,IC Socket,Relay,Connector.Our parts cover such applications as commercial,industrial, and automotives areas.

We are looking forward to setting up business relationship with you and hope to provide you with the best service and solution. Let us make a better world for our industry!



Contact us

Tel: +86-755-8981 8866 Fax: +86-755-8427 6832

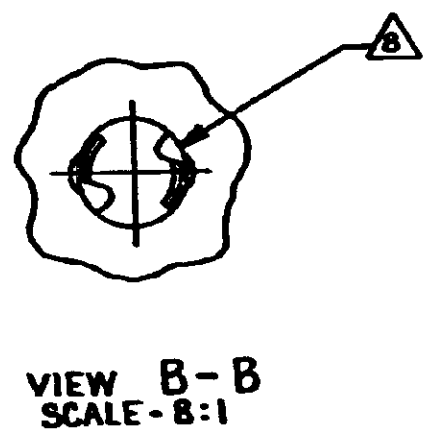
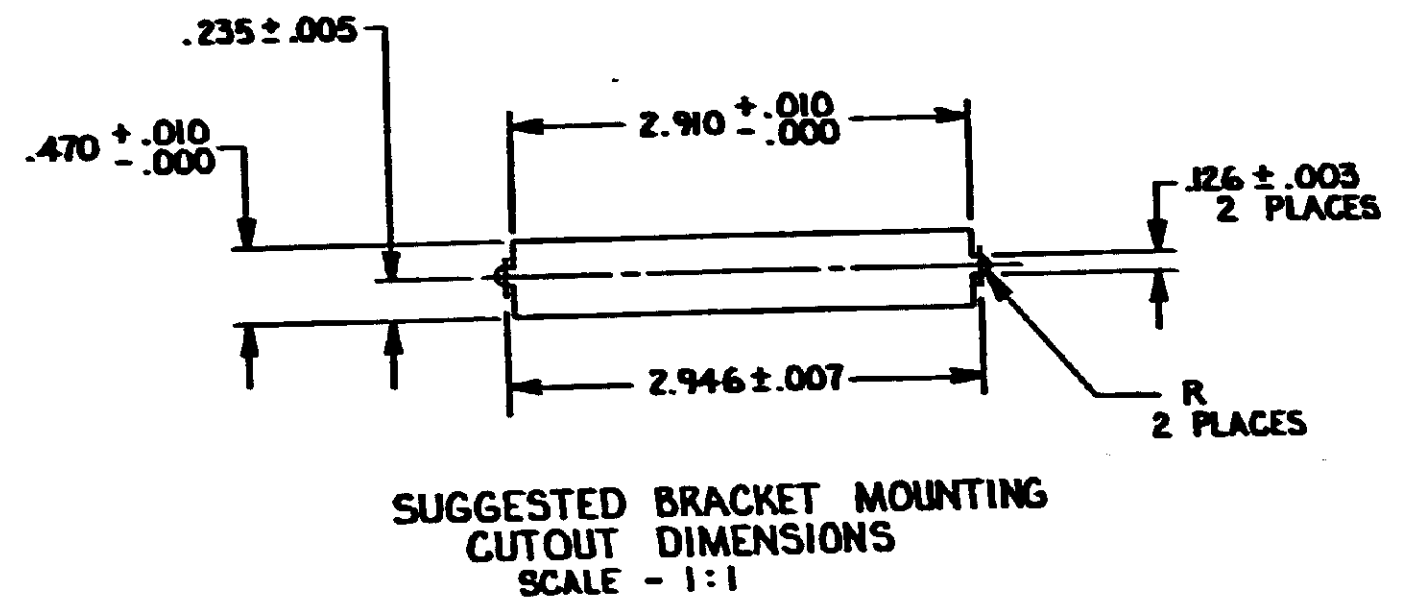
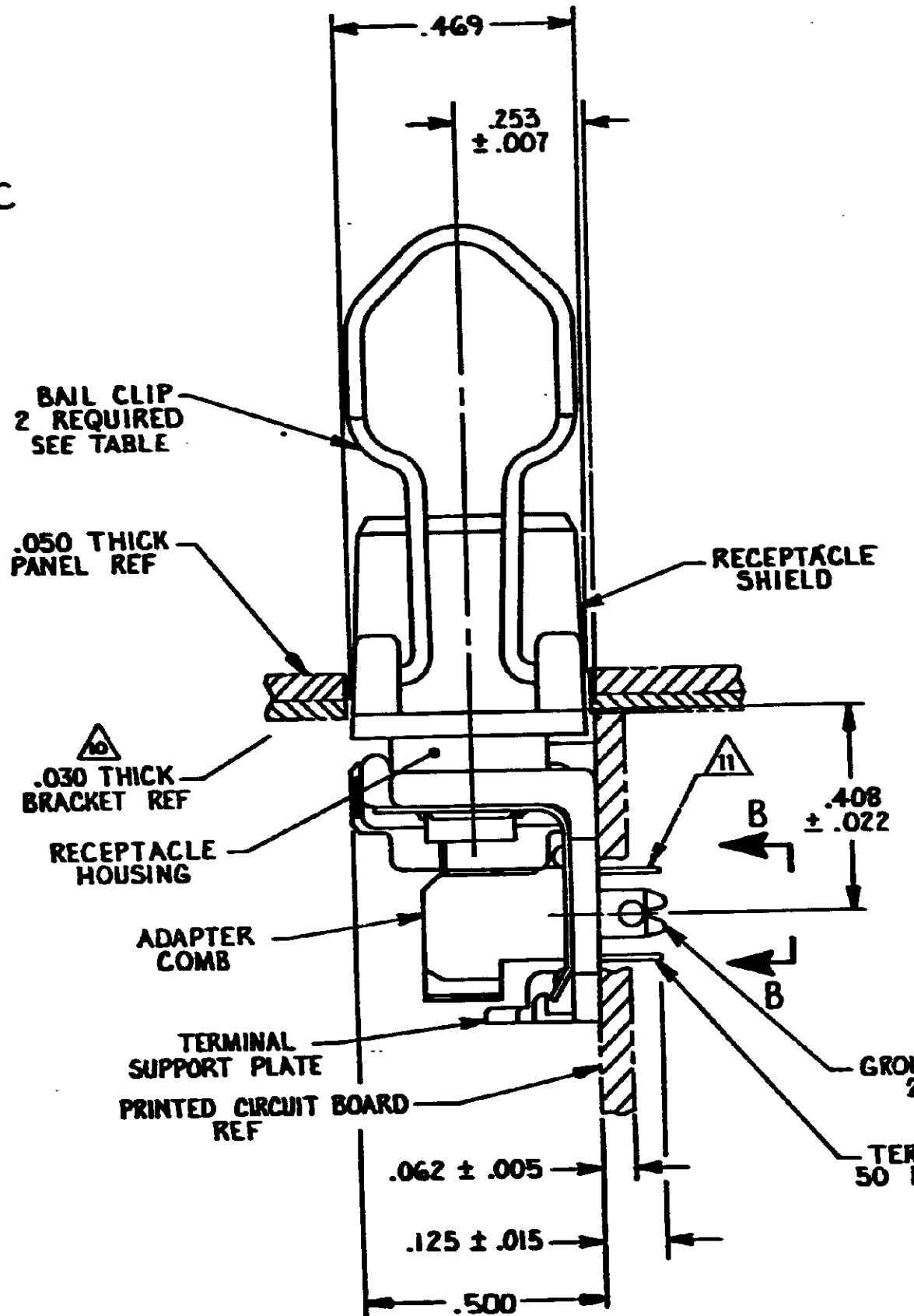
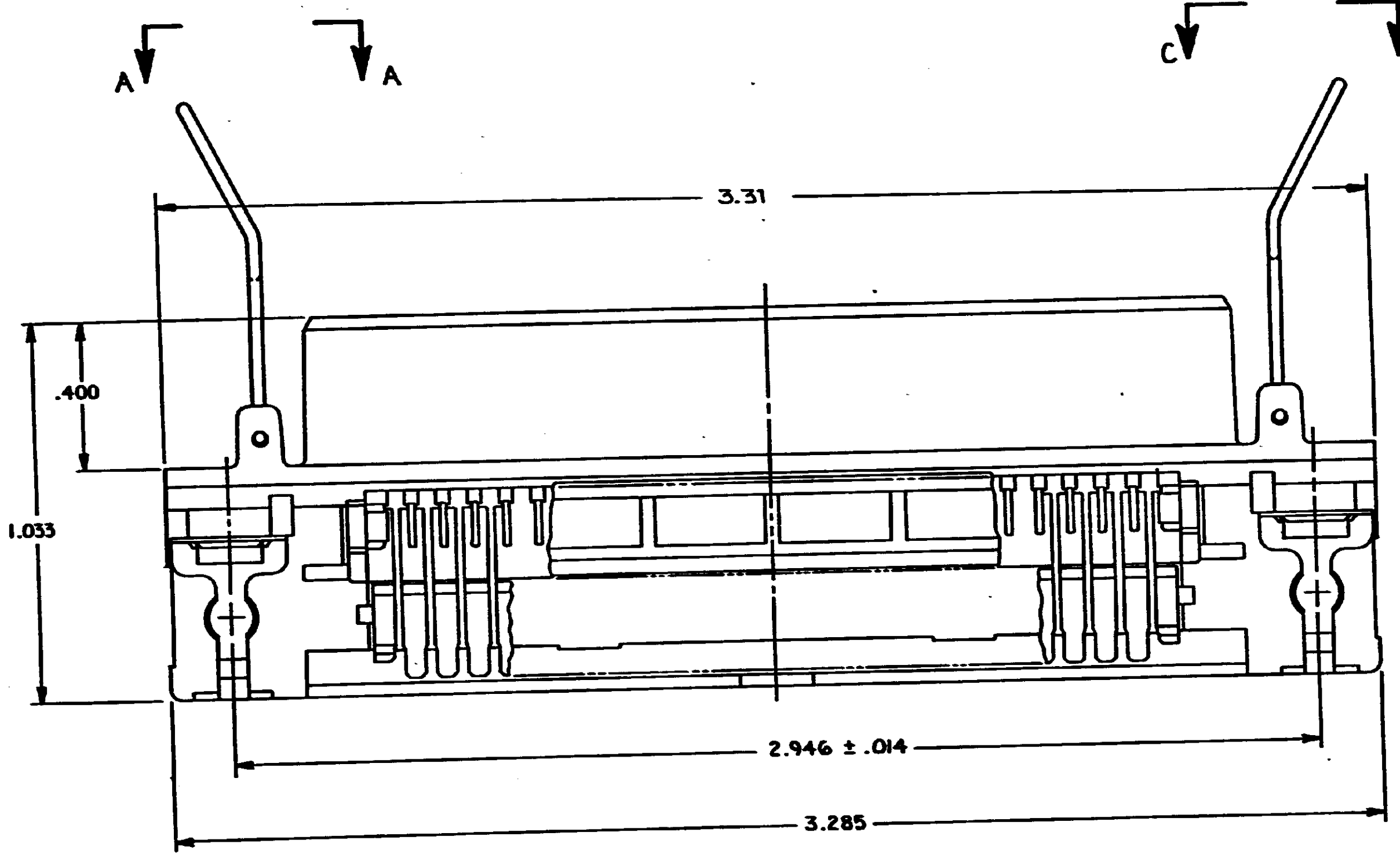
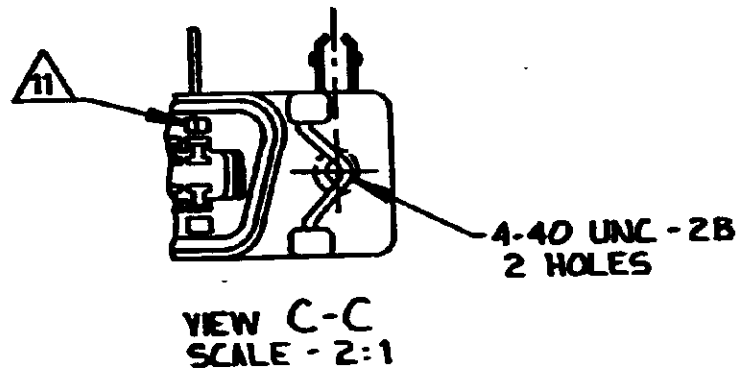
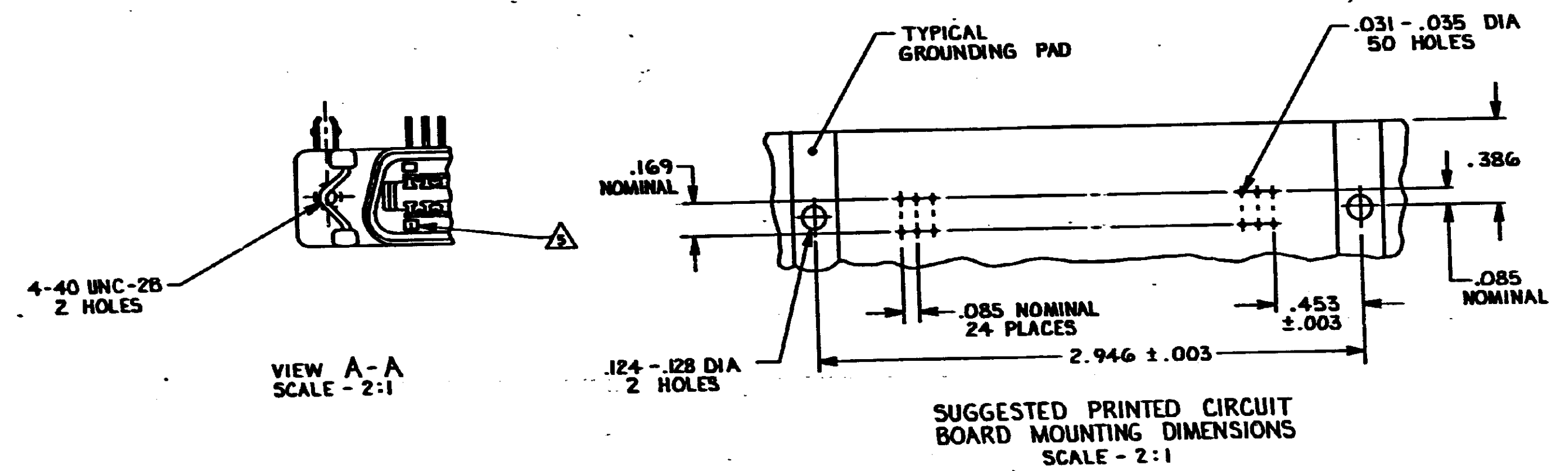
Email & Skype: info@chipsmall.com Web: www.chipsmall.com

Address: A1208, Overseas Decoration Building, #122 Zhenhua RD., Futian, Shenzhen, China



DRAWING MADE IN THIRD ANGLE PROJECTION
 THIS DRAWING IS UNPUBLISHED. RELEASED FOR PUBLICATION
 COPYRIGHT IS RESERVED. AMP PRODUCTS MAY BE COVERED BY U.S. AND FOREIGN PATENTS AND/OR PATENTS PENDING.

REVISED		DATE	APPROVED
6	REVIS: ECM AA-7622	9-2-81	LBS



- △ MATERIAL: SUPPORT PLATE, HOUSING AND ADAPTER COMB-POLYESTER, BLACK. BAIL CLIPS-PASSIVATED STAINLESS STEEL. RECEPTACLE SHIELD-BRIGHT NICKEL OVER COPPER PLATED ZINC. TERMINAL TAILS-TIN LEAD OVER NICKEL PLATED HIGH STRENGTH COPPER ALLOY. MATING SURFACE-LOCALIZED GOLD OVER NICKEL PLATED HIGH STRENGTH COPPER ALLOY. GROUND BRACKET-TIN LEAD PLATED CARBON STEEL.
- THE CONTACT SURFACES OF THE TERMINALS ARE COATED WITH LUBRICANT.
 - CENTER-TO-CENTER SPACING OF TERMINALS IS .085 NOMINAL.
 - ALL DIMENSIONS SHOWN ARE MAXIMUM UNLESS OTHERWISE SPECIFIED.
 - TERMINAL 1 LOCATED IN THIS ROW FOR STANDARD ORIENTATION.
 - GROUNDING BRACKET RETAINS CONNECTOR IN .062 THICK PC BOARD WITHOUT ADDITIONAL HARDWARE.
 - GROUNDING BRACKET LOCATES CONNECTOR FLUSH WITH TOP OF PC BOARD AND SPRING LOCKS BENEATH.
 - CYLINDRICAL SHAPE OFFERS 180° OF SOLDERING SURFACE.
 - SURFACE AREA OF GROUNDING BRACKET BELOW PC BOARD SHALL PASS SOLDERABILITY REQUIREMENTS IN ACCORDANCE WITH AMP SPECIFICATION 109-11-2. DISCOLORATION, SCRATCHES, SPOTS AND OTHER COSMETIC DEFICIENCIES TYPICAL OF BARREL PLATING PROCESSES ARE ACCEPTABLE PROVIDING PARTS PASS 24 HOUR EXPOSURE AT 95% RH AT 40°C WITHOUT EVIDENCE OF CORROSION.
 - BRACKET SUPPLIED BY CUSTOMER.
 - TERMINAL 1 LOCATED IN THIS ROW FOR REVERSE ORIENTATION.

REVERSE, VIEW C-C	AS SHOWN	-3
STANDARD, VIEW A-A	WITHOUT BAIL CLIPS	-2
ORIENTATION	AS SHOWN	555149-1

UNLESS OTHERWISE SPECIFIED DIMENSIONS ARE IN INCHES. TOLERANCES ON: DECIMALS ± ANGLES ±	CONTRACT NO. DR <i>S. Odison</i> 1-28-87	AMP INCORPORATED Harrisburg, Pa. 17105	
	MATERIAL △	NAME RECEPTACLE ASSEMBLY, LOW PROFILE, EXTENDED SHIELD, RIGHT ANGLE, 50 POSITION, BOARD LOCK, BAIL LOCK, CHAMP®	PART NO.
FINISH △	DSGN APPD OTHER APPD	SIZE D	FSCM NO 00779
		DRAWING NO 555149	SHEET 1 OF 1

CUSTOMER DRAWING