



Chipsmall Limited consists of a professional team with an average of over 10 year of expertise in the distribution of electronic components. Based in Hongkong, we have already established firm and mutual-benefit business relationships with customers from,Europe,America and south Asia,supplying obsolete and hard-to-find components to meet their specific needs.

With the principle of “Quality Parts,Customers Priority,Honest Operation,and Considerate Service”,our business mainly focus on the distribution of electronic components. Line cards we deal with include Microchip,ALPS,ROHM,Xilinx,Pulse,ON,Everlight and Freescale. Main products comprise IC,Modules,Potentiometer,IC Socket,Relay,Connector.Our parts cover such applications as commercial,industrial, and automotives areas.

We are looking forward to setting up business relationship with you and hope to provide you with the best service and solution. Let us make a better world for our industry!



Contact us

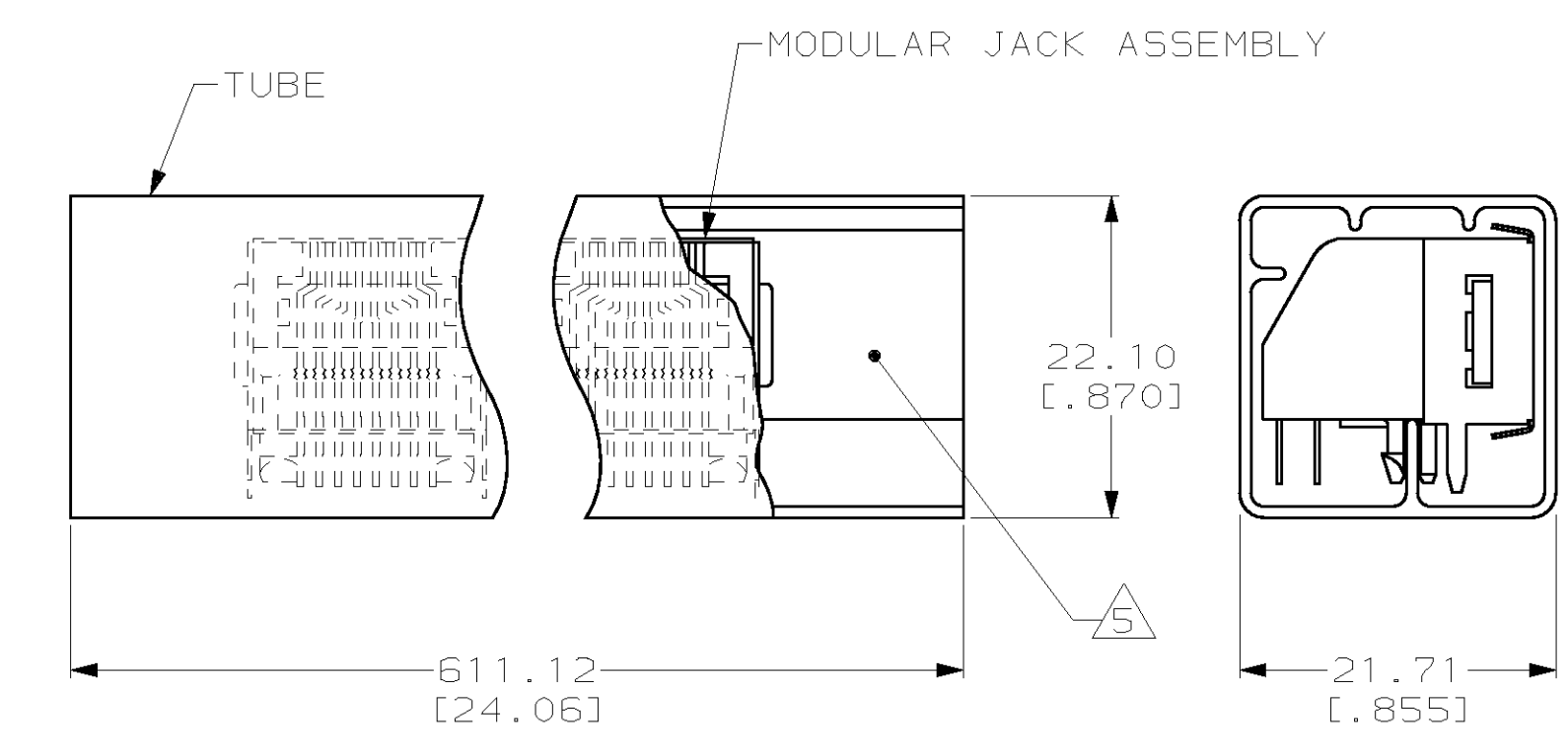
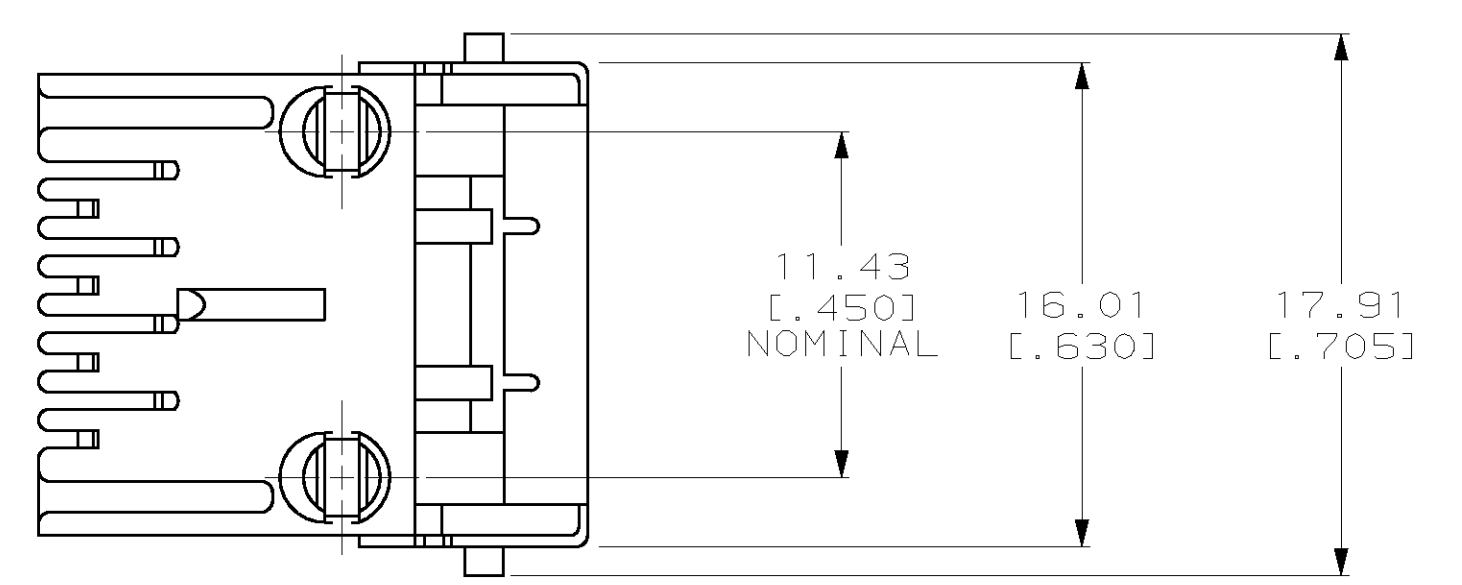
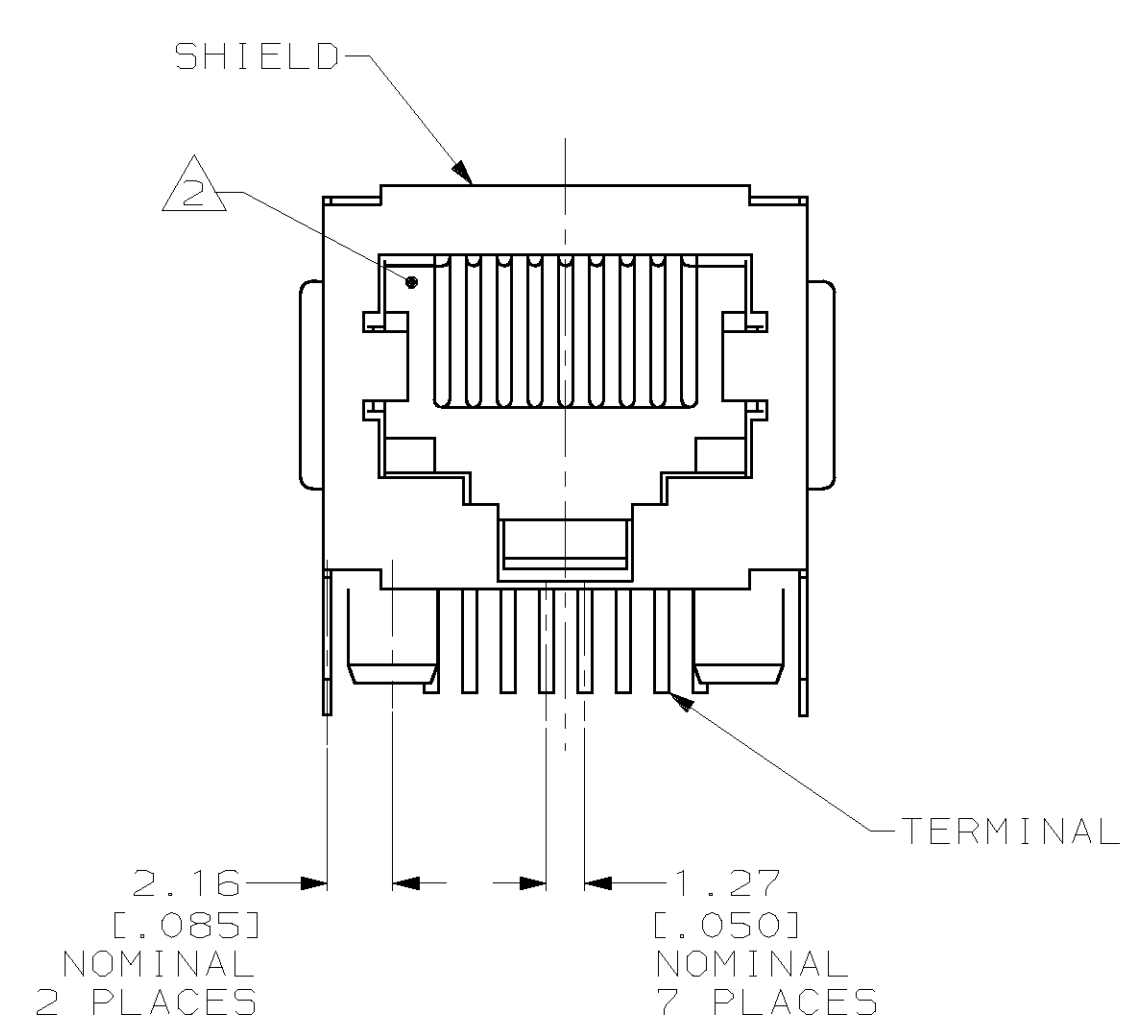
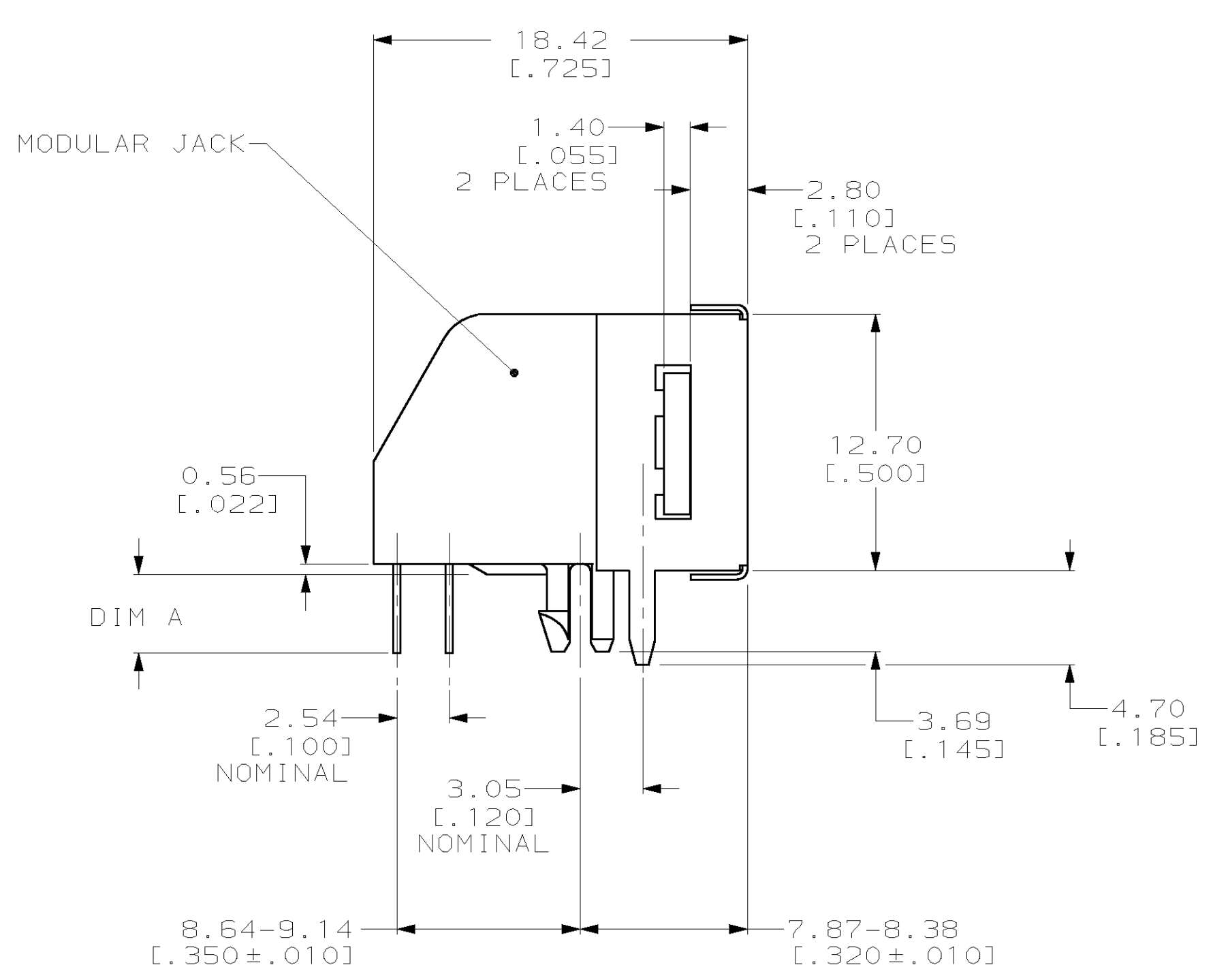
Tel: +86-755-8981 8866 Fax: +86-755-8427 6832

Email & Skype: info@chipsmall.com Web: www.chipsmall.com

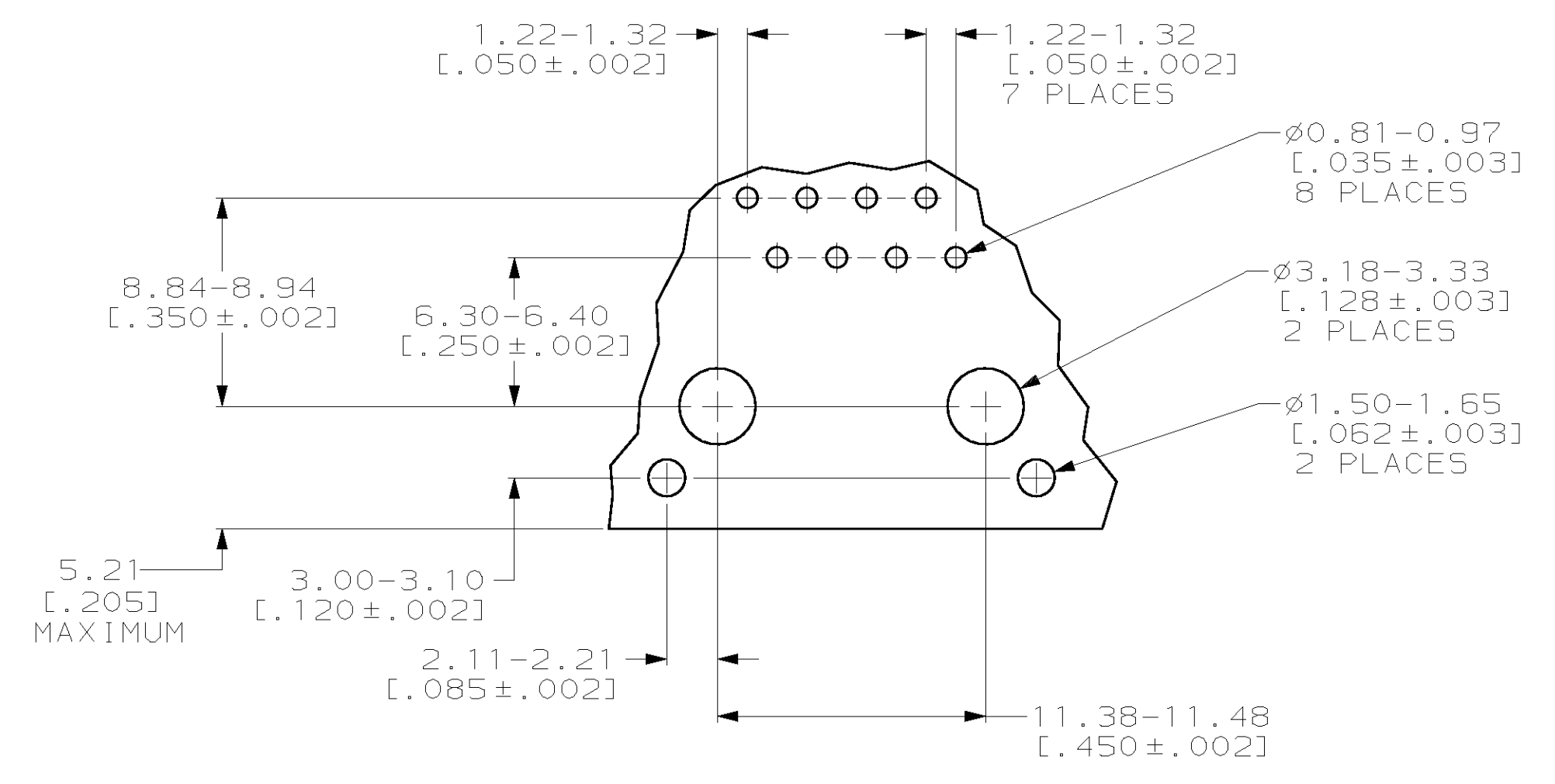
Address: A1208, Overseas Decoration Building, #122 Zhenhua RD., Futian, Shenzhen, China



LOC	DIST	REV	DESCRIPTION	DATE	OWN	APVD
AA	22	J	REVISD; EC OUF0-0102-01	17AUG01	DLD	LLV



DETAIL B
SCALE 2:1



SUGGESTED PRINTED CIRCUIT BOARD
MOUNTING HOLE LAYOUT
(VIEW SHOWN IS CIRCUIT SIDE OF BOARD)

- 1 MATERIAL:
HOUSING - PBT POLYESTER BLACK.
TERMINAL - 0.36[.014] THICK PHOS-BRONZE PLATED WITH 1.27µm[.000050] THICK HARD GOLD IN LOCALIZED GOLD PLATE AREA AND 2.03µm[.000080] THICK TIN-LEAD IN SOLDER AREA OVER 1.27µm[.000050] THICK NICKEL UNDERPLATE.
SHIELD - 0.25[.010] THICK COPPER ALLOY, TIN-LEAD PLATED.
- 2 CAVITY CONFORMS TO FCC RULES AND REGULATIONS, PART 68, SUBPART F.
- 3 DIMENSIONS ARE MAXIMUM UNLESS OTHERWISE SPECIFIED.
- 4 BULK PACKAGED IN A TRAY.
- 5 32 ASSEMBLIES PACKAGED PER TUBE, SEE DETAIL B.

1.78-2.79[.09±.02]	△	555153-6
2.54-3.05[.11±.01]	△	555153-5
4.06-4.57[.17±.01]	△	555153-4
3.30-4.32[.15±.02]	△	555153-3
3.30-4.32[.15±.02]	△	555153-1
DIM A	PACKAGED	PART NUMBER

THIS DRAWING IS A CONTROLLED DOCUMENT.

DIMENSIONS: mm [INCHES]	TOLERANCES UNLESS OTHERWISE SPECIFIED:	0 PLC ±.005	1 PLC ±.005	2 PLC ±.005	3 PLC ±.005	4 PLC ±.005	ANGLES ±.005	FINISH
----------------------------	--	-------------	-------------	-------------	-------------	-------------	--------------	--------

DRAWN J. GALUCCI/UTA	20MAY94	AMP Incorporated Harrisburg, PA 17105-3608
CHK D. HUSSEY	24MAY94	
APVD J. TONEY	25MAY94	
PRODUCT SPEC		NAME MODULAR JACK ASSEMBLY, 8 POSITION, SHIELDED, LOW PROFILE, RIGHT ANGLE WITH PRINTED CIRCUIT BOARD GROUND AND PANEL STOPS
APPLICATION SPEC		SIZE A1
WEIGHT		CAGE CODE 00779
CUSTOMER DRAWING		SCALE 4:1

AMP