



Chipsmall Limited consists of a professional team with an average of over 10 year of expertise in the distribution of electronic components. Based in Hongkong, we have already established firm and mutual-benefit business relationships with customers from,Europe,America and south Asia,supplying obsolete and hard-to-find components to meet their specific needs.

With the principle of “Quality Parts,Customers Priority,Honest Operation,and Considerate Service”,our business mainly focus on the distribution of electronic components. Line cards we deal with include Microchip,ALPS,ROHM,Xilinx,Pulse,ON,Everlight and Freescale. Main products comprise IC,Modules,Potentiometer,IC Socket,Relay,Connector.Our parts cover such applications as commercial,industrial, and automotives areas.

We are looking forward to setting up business relationship with you and hope to provide you with the best service and solution. Let us make a better world for our industry!



## Contact us

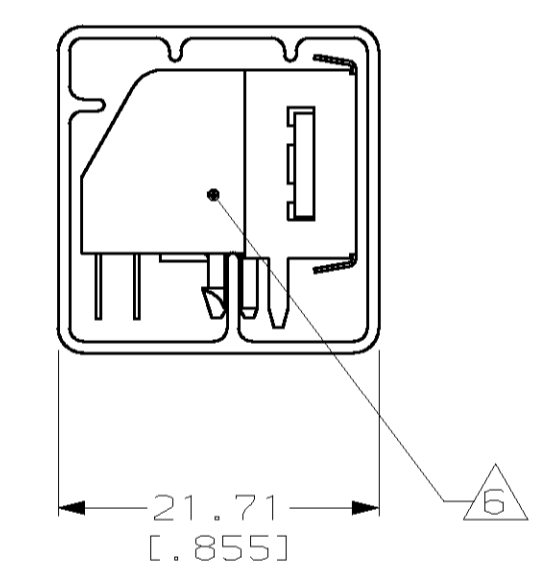
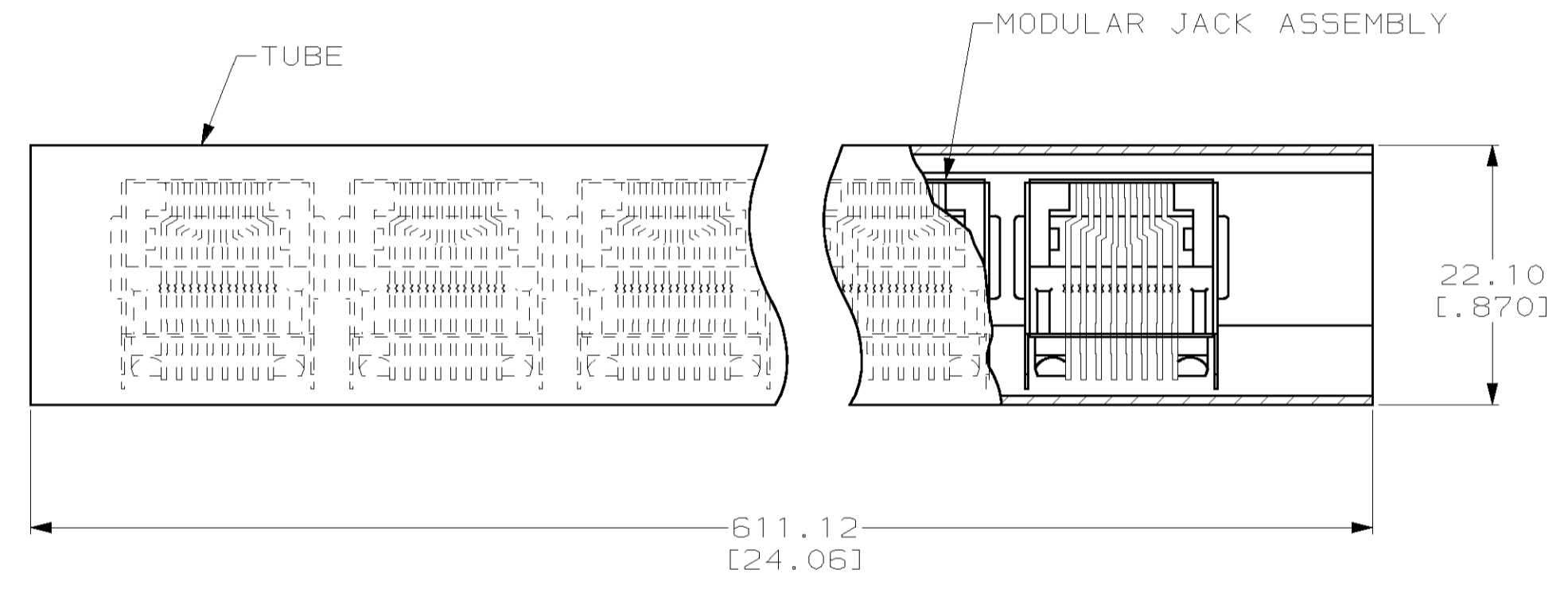
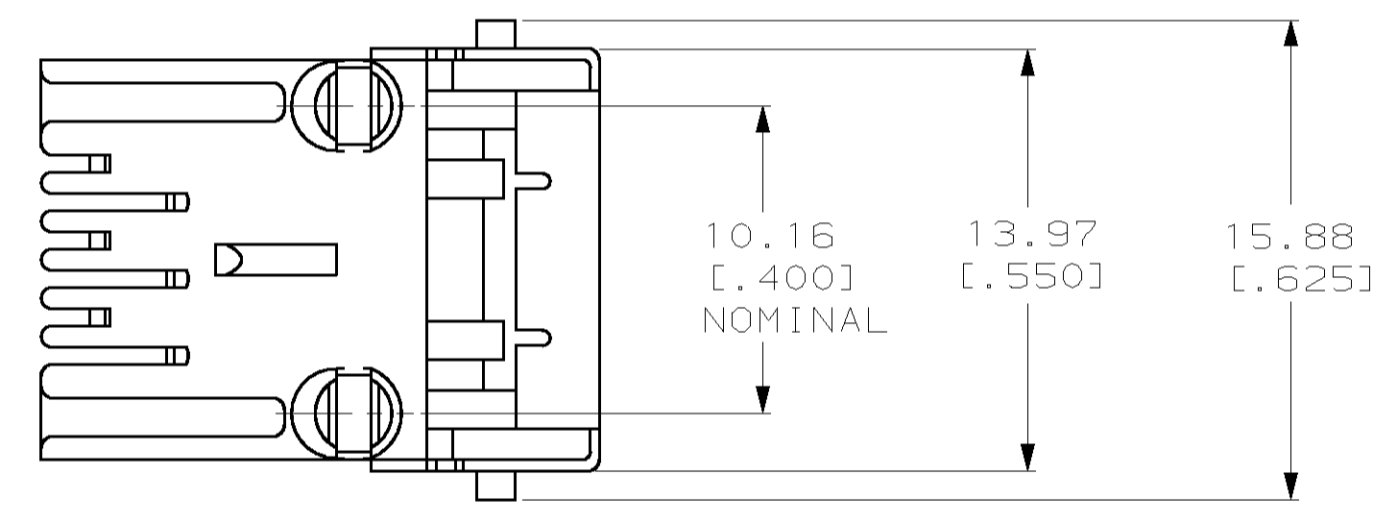
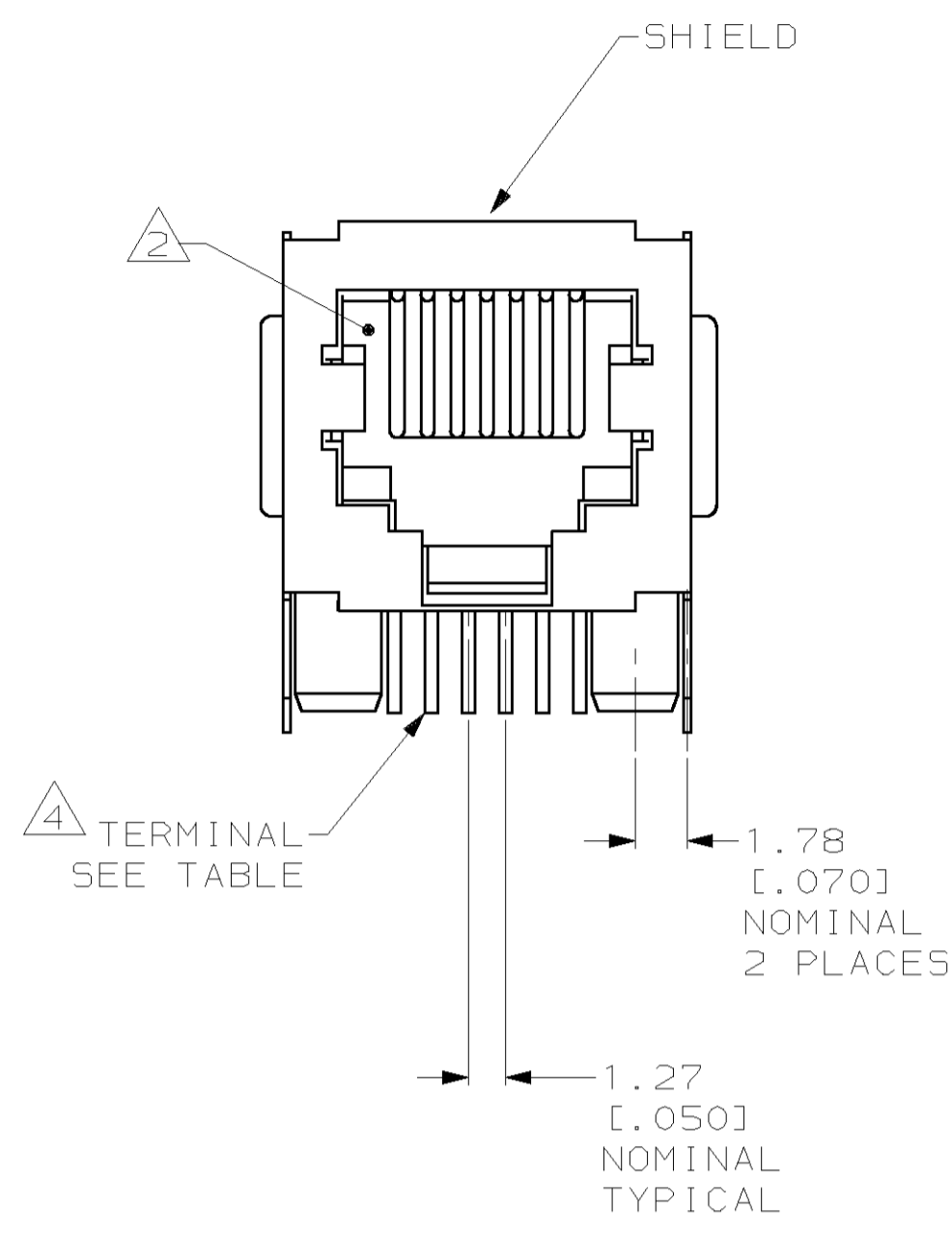
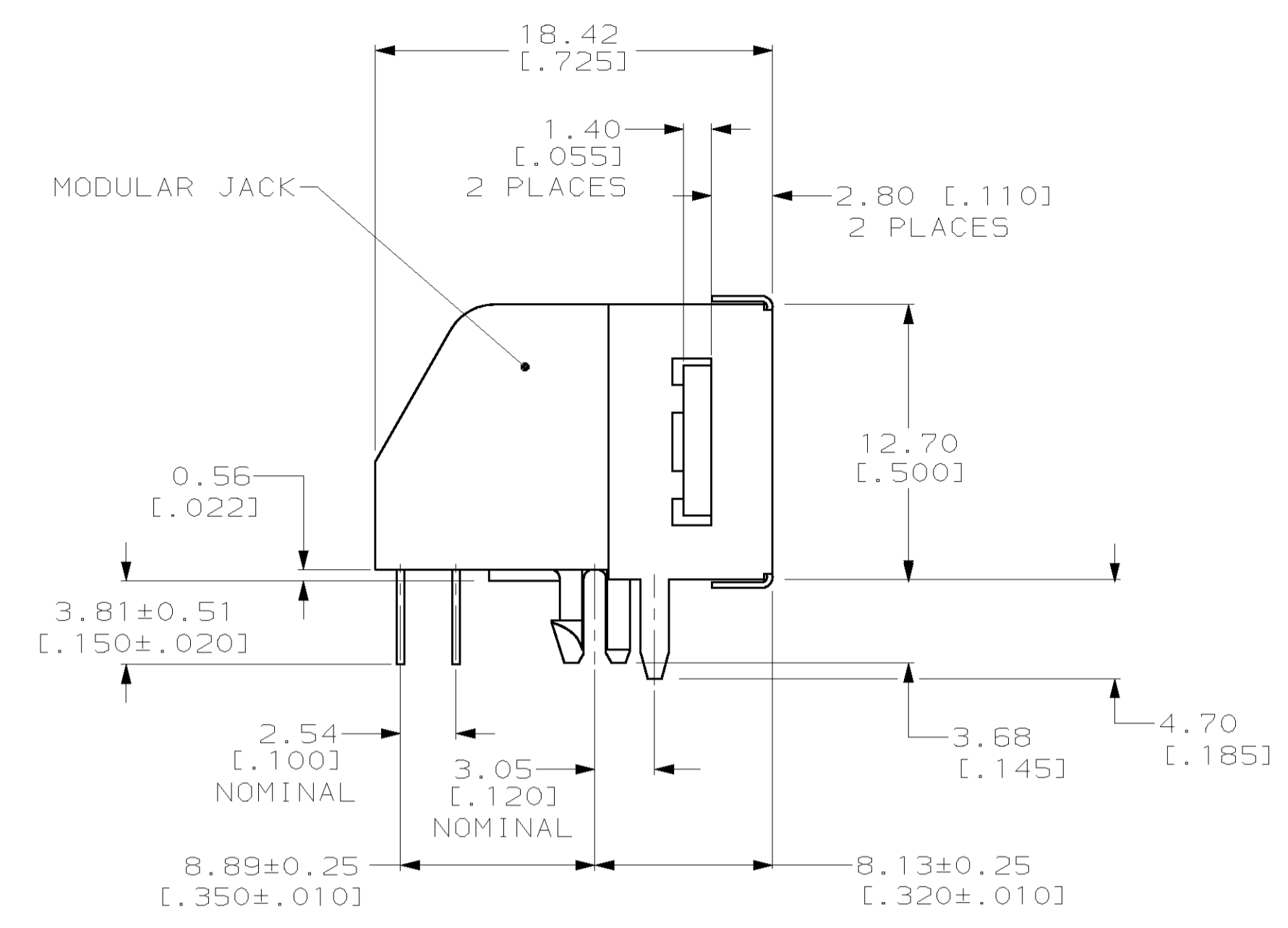
Tel: +86-755-8981 8866 Fax: +86-755-8427 6832

Email & Skype: info@chipsmall.com Web: www.chipsmall.com

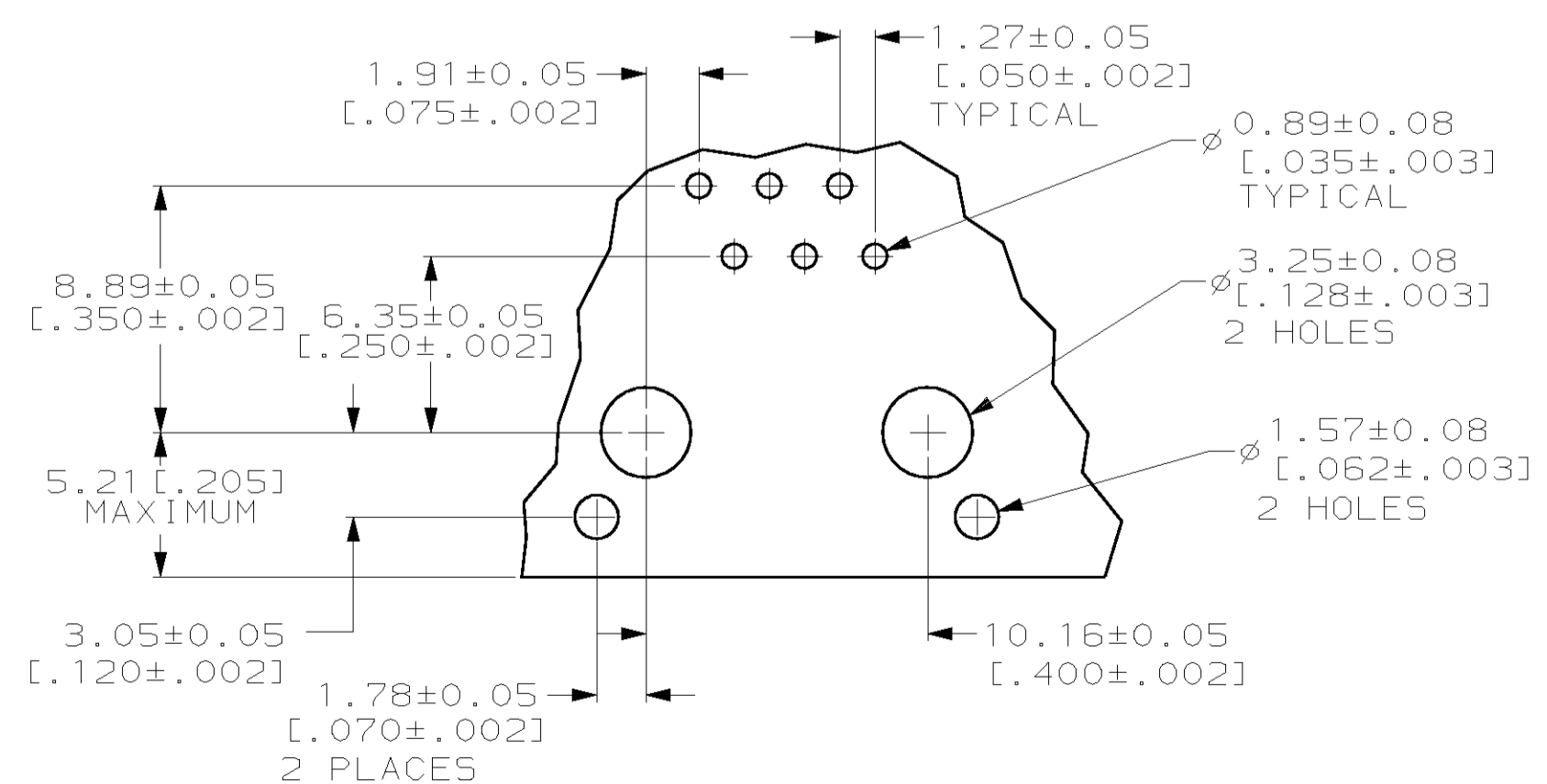
Address: A1208, Overseas Decoration Building, #122 Zhenhua RD., Futian, Shenzhen, China



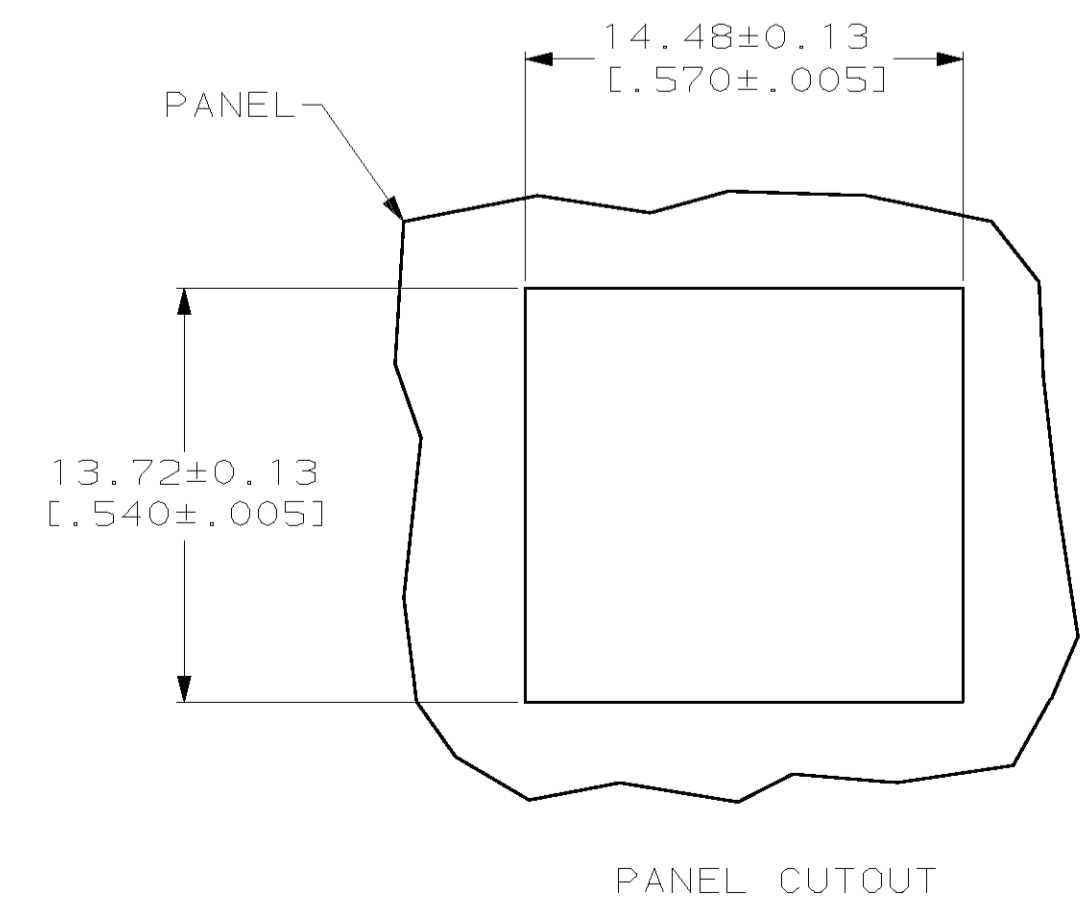
LOC	DIST	REV	DESCRIPTION	DATE	BY	APPV
AA	22	F				
		G	ADDED: -4; NPR M01-008 AND OUI C-0079-01	26FEB01	DLD	CMB



DETAIL A  
SCALE 2:1



SUGGESTED PRINTED CIRCUIT BOARD  
MOUNTING HOLE LAYOUT  
VIEW SHOWN AS COMPONENT SIDE OF BOARD



PANEL CUTOUT

- ⚠ MATERIAL: HOUSING-PBT POLYESTER, BLACK. TERMINAL-.0138 THICK PHOS-BRONZE PLATED WITH .000050 THICK HARD GOLD IN LOCALIZED GOLD PLATE AREA AND .000080 THICK TIN LEAD IN SOLDER AREA OVER .000050 THICK NICKEL UNDERPLATE SHIELD-.010 THICK COPPER ALLOY, TIN-LEAD PLATED.
- ⚠ CAVITY CONFORMS TO FCC RULES AND REGULATIONS PART 68, SUBPART F.
- 3. ALL DIMENSIONS SHOWN ARE MAXIMUM UNLESS OTHERWISE SPECIFIED.
- ⚠ TERMINALS FOR 555154-2 LOCATED IN CENTER POSITIONS.
- ⚠ BULK PACKAGED IN TRAYS.
- ⚠ PACKAGED 36 ASSEMBLIES PER TUBE. SEE DETAIL "A".

PACKAGE	TERMINALS REQUIRED	PART NUMBER
⚠ 6	6	555154-4
⚠ 5	4	555154-2
⚠ 5	6	555154-1

THIS DRAWING IS A CONTROLLED DOCUMENT.

DWG	S. GARRETT	7-13-95
CHK	N. JONES	8-25-95
APPV	J. TONEY	9-01-95

AMP Incorporated  
Harrisburg, PA 17105-3608

NAME: MODULAR JACK ASSEMBLY, SHIELDED, 6 POSITION, LOW PROFILE, RIGHT ANGLE, PRINTED CIRCUIT BOARD GROUND WITH PANEL STOPS

PRODUCT SPEC: 108-1163

APPLICATION SPEC: 114-2048

SIZE: A1

SCALE: 4:1

SHEET: 1 OF 1

REV: G