



Chipsmall Limited consists of a professional team with an average of over 10 year of expertise in the distribution of electronic components. Based in Hongkong, we have already established firm and mutual-benefit business relationships with customers from,Europe,America and south Asia,supplying obsolete and hard-to-find components to meet their specific needs.

With the principle of “Quality Parts,Customers Priority,Honest Operation,and Considerate Service”,our business mainly focus on the distribution of electronic components. Line cards we deal with include Microchip,ALPS,ROHM,Xilinx,Pulse,ON,Everlight and Freescale. Main products comprise IC,Modules,Potentiometer,IC Socket,Relay,Connector.Our parts cover such applications as commercial,industrial, and automotives areas.

We are looking forward to setting up business relationship with you and hope to provide you with the best service and solution. Let us make a better world for our industry!



Contact us

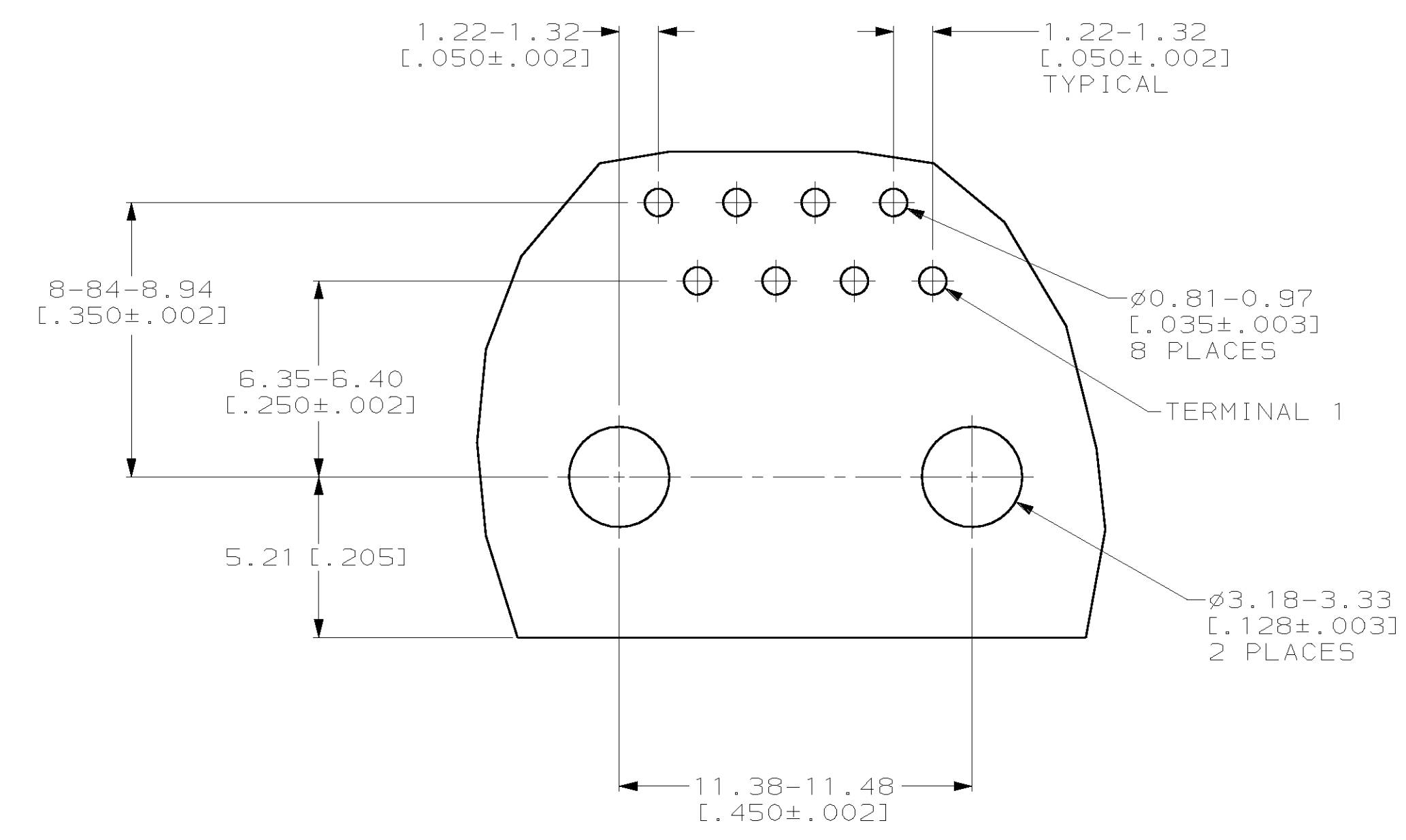
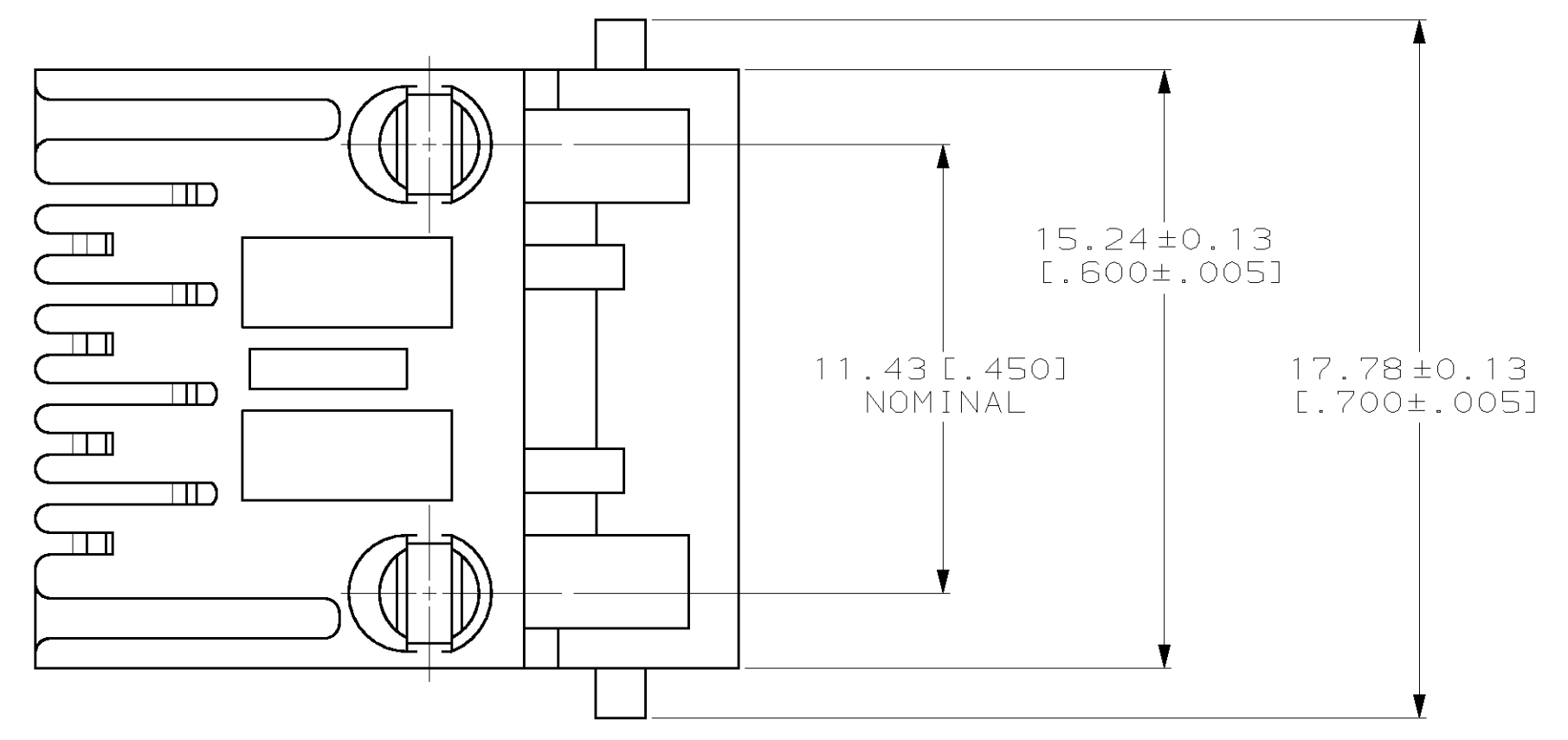
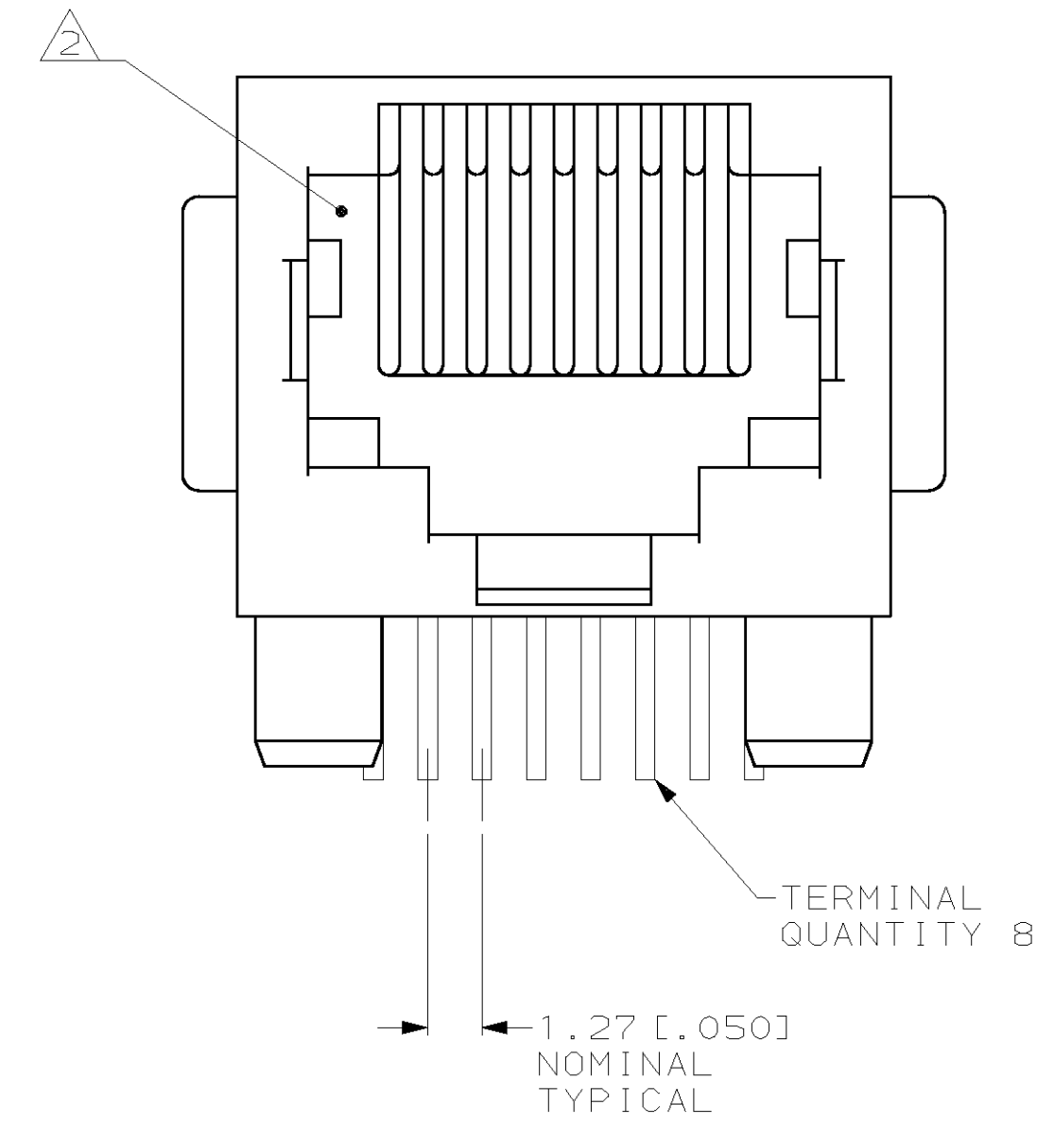
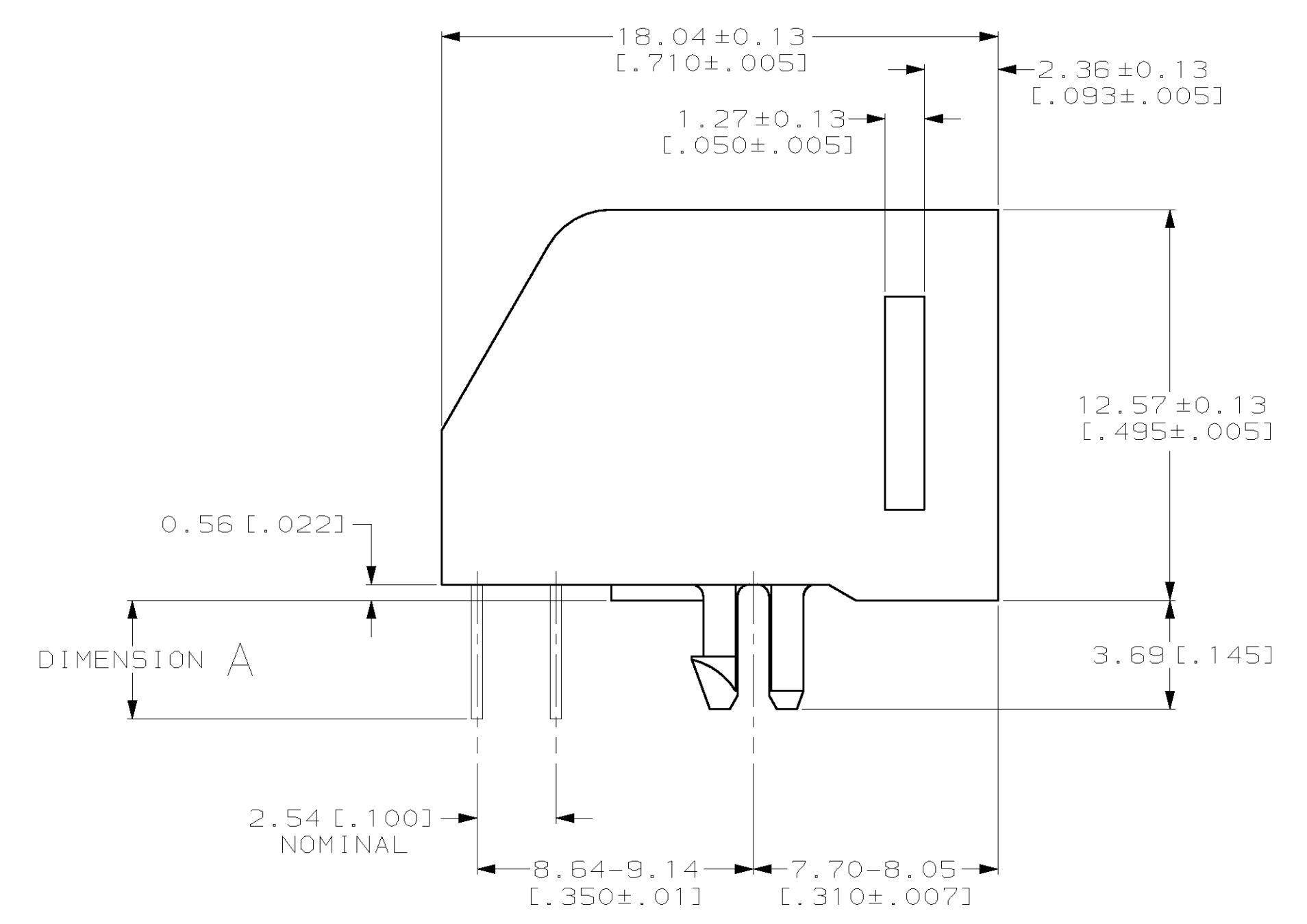
Tel: +86-755-8981 8866 Fax: +86-755-8427 6832

Email & Skype: info@chipsmall.com Web: www.chipsmall.com

Address: A1208, Overseas Decoration Building, #122 Zhenhua RD., Futian, Shenzhen, China



LOC		DIST		REVISIONS			
AA	22	TR	LTR	DESCRIPTION	DATE	DWN	APVD
		J		REVISED PER EC 0511-0104-02	30JUL02	DD	BK



- ⚠ DIMENSIONS ARE MAXIMUM UNLESS OTHERWISE SPECIFIED.
- ⚠ CAVITY CONFORMS TO FCC RULES AND REGULATIONS PART 68, SUBPART F.
- ⚠ MATERIAL: HOUSING - PBT POLYESTER, BLACK. TERMINAL - PHOSPHOR BRONZE PLATED WITH $1.27\mu\text{m}$ [.000050] MINIMUM THICK HARD GOLD IN LOCALIZED GOLD PLATE AREA AND $3.81\mu\text{m}$ [.000150] MINIMUM THICK TIN-LEAD IN SOLDER AREA OVER $1.27\mu\text{m}$ [.000050] MINIMUM THICK NICKEL UNDERPLATE.
- ⚠ BULK PACKAGED IN A TRAY.

SUGGESTED PRINTED CIRCUIT BOARD MOUNTING HOLE LAYOUT (LAYOUT SHOWN FROM CIRCUIT SIDE OF BOARD)

SUPERSEDED BY 555162-1	⚠	2.54-3.05 [.11 ± .01]	555162-4
	⚠	3.30-4.32 [.15 ± .02]	555162-1
PACKAGED		DIMENSION A	PART NUMBER

THIS DRAWING IS A CONTROLLED DOCUMENT.		DWN T. SPRINKLE CHK C. WHITT	DEKAY94 16MAY94	TYCO Electronics Harrisburg, PA 17105-3608	
DIMENSIONS mm [INCHES]	TOLERANCES UNLESS OTHERWISE SPECIFIED.	APVD J. TONEY	23MAY94	NAME MODULAR JACK ASSEMBLY, 8 POSITION, LOW PROFILE, RIGHT ANGLE, WITH PANEL STOPS	
0 PLC ± .01	1 PLC ± .005	PRODUCT SPEC 108-1163		SIZE A1	CAGE CODE 00779
2 PLC ± .002	3 PLC ± .001	APPLICATION SPEC 114-2048		WEIGHT -	DRAWING NO 555162
4 PLC ± .0005	ANGLES ± .01	FINISH		CUSTOMER DRAWING	SCALE 6:1
					SHEET 1 OF 1
					REV J