



Chipsmall Limited consists of a professional team with an average of over 10 year of expertise in the distribution of electronic components. Based in Hongkong, we have already established firm and mutual-benefit business relationships with customers from,Europe,America and south Asia,supplying obsolete and hard-to-find components to meet their specific needs.

With the principle of "Quality Parts,Customers Priority,Honest Operation,and Considerate Service",our business mainly focus on the distribution of electronic components. Line cards we deal with include Microchip,ALPS,ROHM,Xilinx,Pulse,ON,Everlight and Freescale. Main products comprise IC,Modules,Potentiometer,IC Socket,Relay,Connector.Our parts cover such applications as commercial,industrial, and automotives areas.

We are looking forward to setting up business relationship with you and hope to provide you with the best service and solution. Let us make a better world for our industry!



Contact us

Tel: +86-755-8981 8866 Fax: +86-755-8427 6832

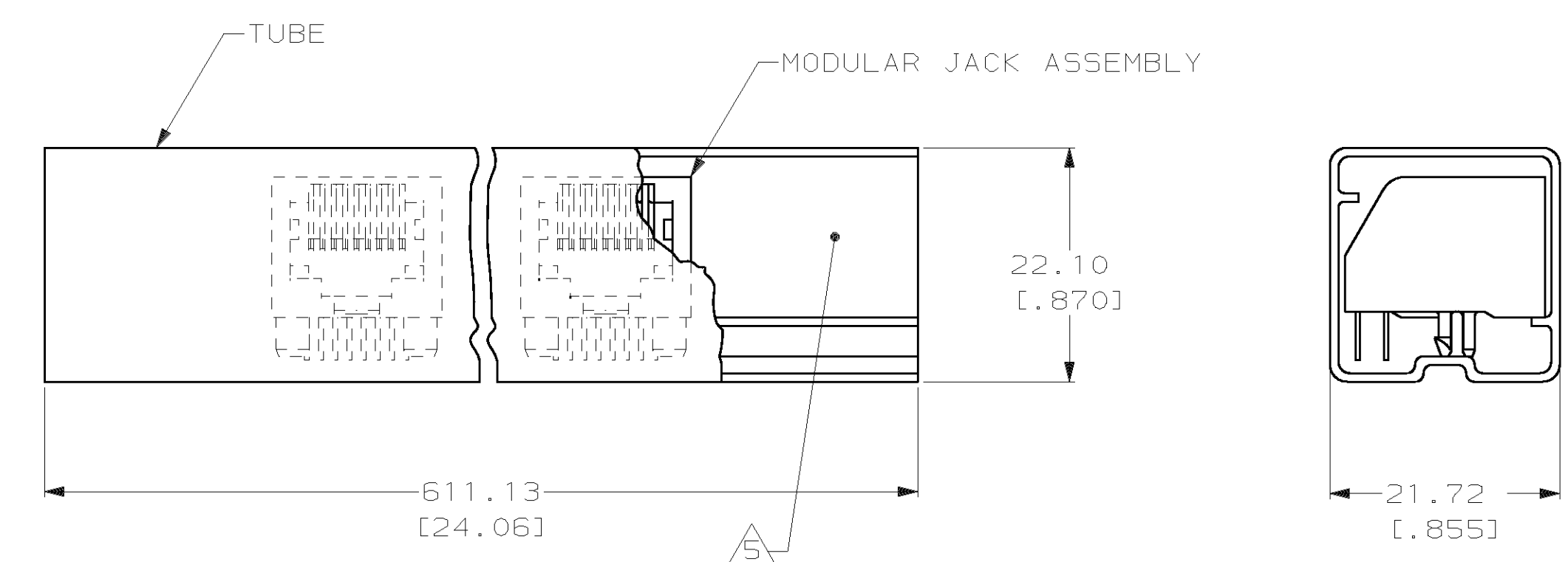
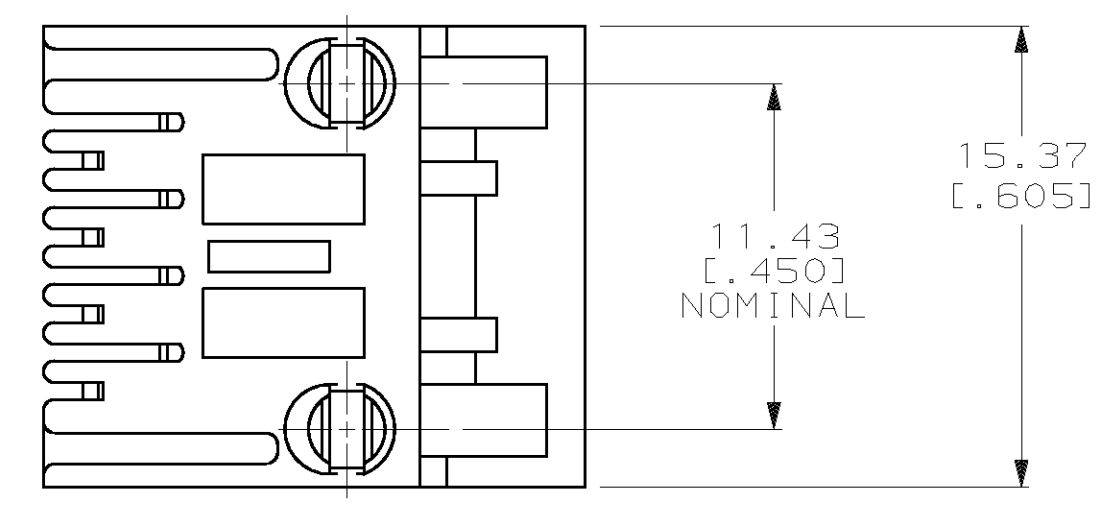
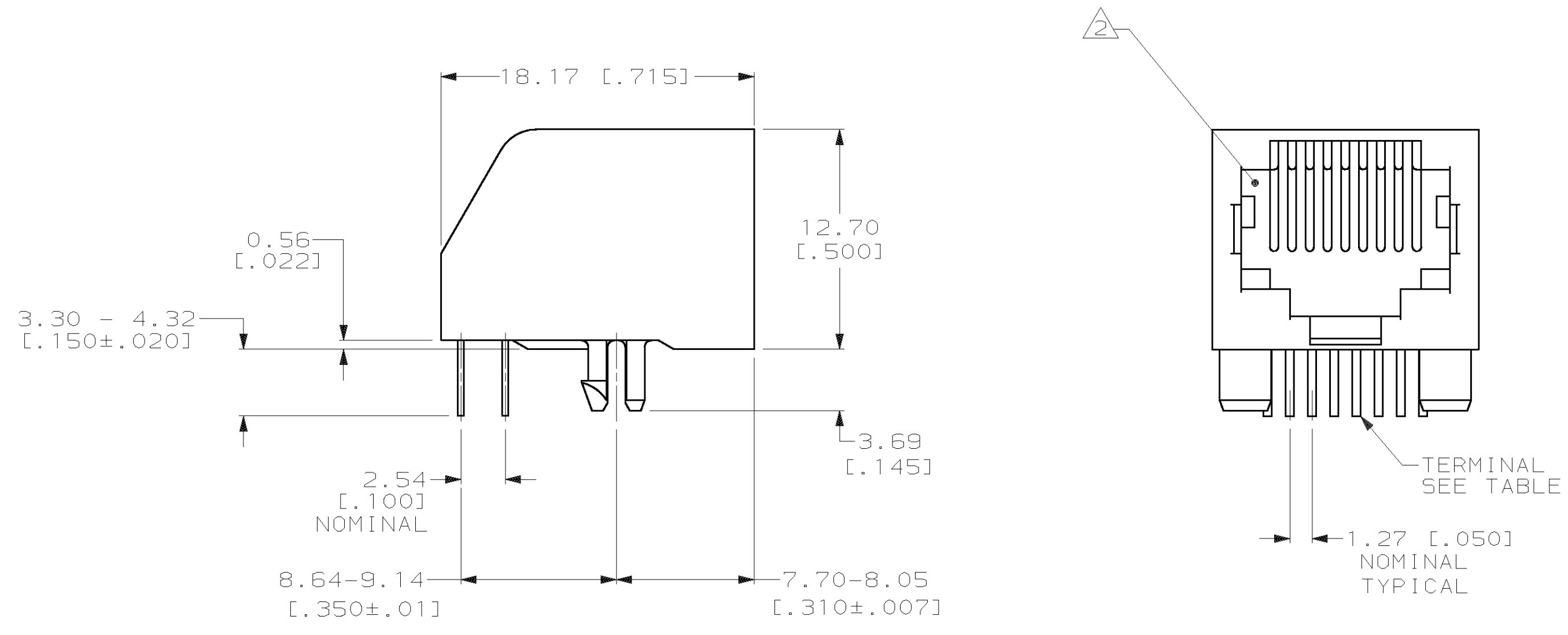
Email & Skype: info@chipsmall.com Web: www.chipsmall.com

Address: A1208, Overseas Decoration Building, #122 Zhenhua RD., Futian, Shenzhen, China

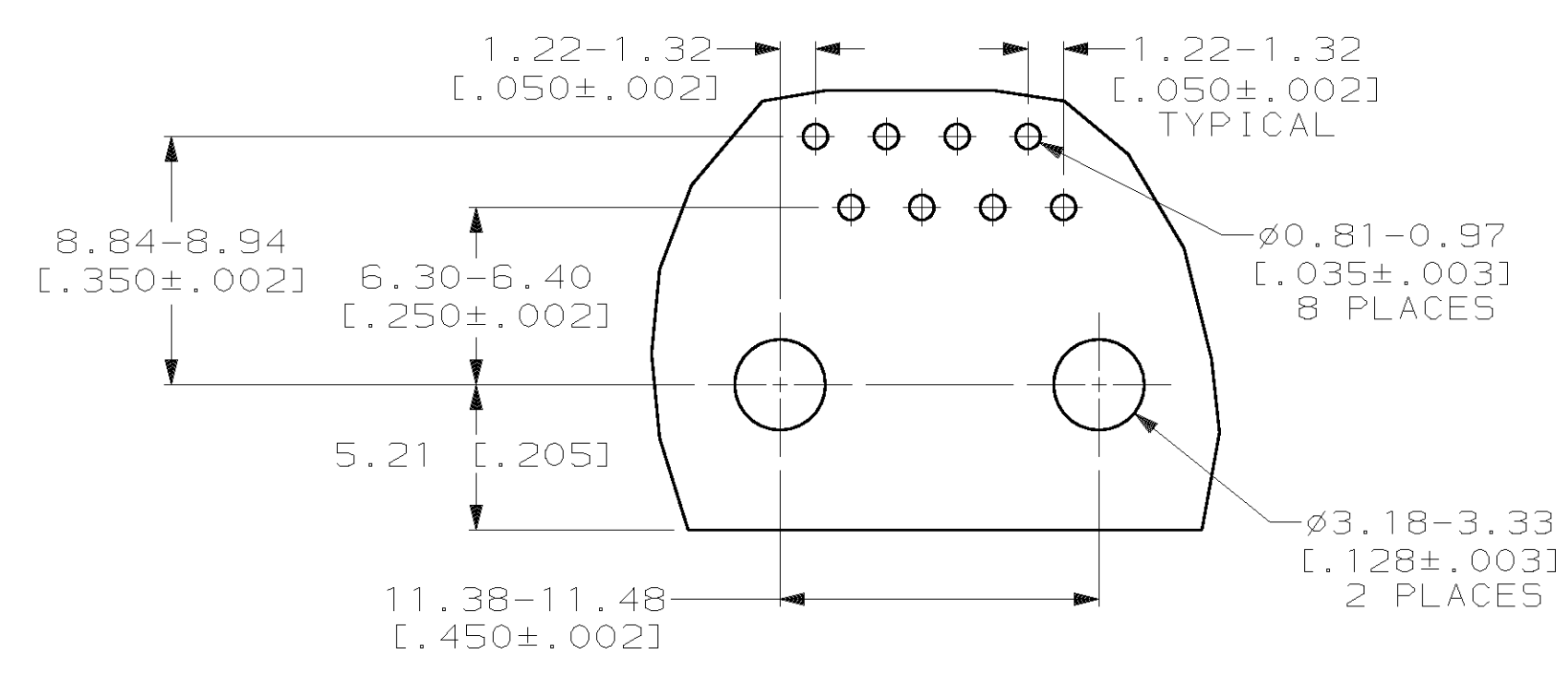


| LOC | DIST | P | F | ZONE | LTR | DESCRIPTION | DATE | APPD |
|-----|------|---|---|------|-----|-----------------------------------|---------|-------|
| AA | 22 | | | | | H SUPERSEDED: -3; EC 0UF0-0013-01 | 14SEP01 | DD LV |

- ① MATERIAL:
 HOUSING - PBT POLYESTER, SEE TABLE.
 TERMINAL - 0.36 [.014] THICK PHOS
 BRONZE PLATED WITH 1.27µm [.000050]
 MINIMUM THICK HARD GOLD IN LOCALIZED
 GOLD PLATE AREA AND 2.03µm [.000080]
 MINIMUM THICK TIN LEAD IN SOLDER AREA
 OVER 1.27µm [.000050] THICK NICKEL
 UNDERPLATE.
- ② CAVITY CONFORMS TO FCC RULES AND
 REGULATIONS PART 68, SUBPART F.
- ③ DIMENSIONS ARE MAXIMUM UNLESS
 OTHERWISE SPECIFIED.
- ④ BULK PACKAGED IN A TRAY.
- ⑤ 37 ASSEMBLIES PACKAGED PER TUBE, SEE
 DETAIL B.



DETAIL B
 SCALE 2:1



SUGGESTED PRINTED CIRCUIT BOARD
 MOUNTING HOLE LAYOUT
 LAYOUT SHOWN FROM CIRCUIT SIDE OF BOARD

| PACKAGED | HOUSING COLOR | TERMINALS REQUIRED | PART NUMBER |
|----------|---------------|--------------------|-------------|
| ⑤ | BLACK | 8 | 555164-4 |
| ④ | GRAY | 8 | 555164-3 |
| ④ | BLACK | 8 | 555164-1 |

| | | | |
|---|--------|--------------------------|--|
| DO NOT SCALE PRINT. UNLESS SPECIFIED DIMENSIONS IN mm [INCHES] TOLERANCES ON: | | DR 11-9-95 D. STRAUSSER | |
| 2 PLC DEC ± | | CHK 11-14-95 N. JONES | |
| 3 PLC DEC ± | | APPD 11-20-95 J. TONEY | |
| ANGLES ± | | APPD 11-20-95 H. McGRATH | |
| MATERIAL | FINISH | PRODUCT SPEC | NAME |
| ① | ① | 108-1163 | MODULAR JACK ASSEMBLY, 8 POSITION, LOW PROFILE, RIGHT ANGLE, WITHOUT PANEL STOPS |
| ① | | APPLICATION SPEC | SIZE |
| | | 114-2048 | D 00779 |
| WEIGHT | SCALE | CAGE CODE | DRAWING NO |
| - | 4:1 | 00779 | ©-555164 |
| | | SHEET | 1 OF 1 |

THIS DRAWING IS A CONTROLLED DOCUMENT FOR AMP INCORPORATED. IT IS SUBJECT TO CHANGE AND THE CONTROLLING ENGINEERING ORGANIZATION SHOULD BE CONTACTED FOR THE LATEST REVISION.