



Chipsmall Limited consists of a professional team with an average of over 10 year of expertise in the distribution of electronic components. Based in Hongkong, we have already established firm and mutual-benefit business relationships with customers from,Europe,America and south Asia,supplying obsolete and hard-to-find components to meet their specific needs.

With the principle of "Quality Parts,Customers Priority,Honest Operation,and Considerate Service",our business mainly focus on the distribution of electronic components. Line cards we deal with include Microchip,ALPS,ROHM,Xilinx,Pulse,ON,Everlight and Freescale. Main products comprise IC,Modules,Potentiometer,IC Socket,Relay,Connector.Our parts cover such applications as commercial,industrial, and automotives areas.

We are looking forward to setting up business relationship with you and hope to provide you with the best service and solution. Let us make a better world for our industry!



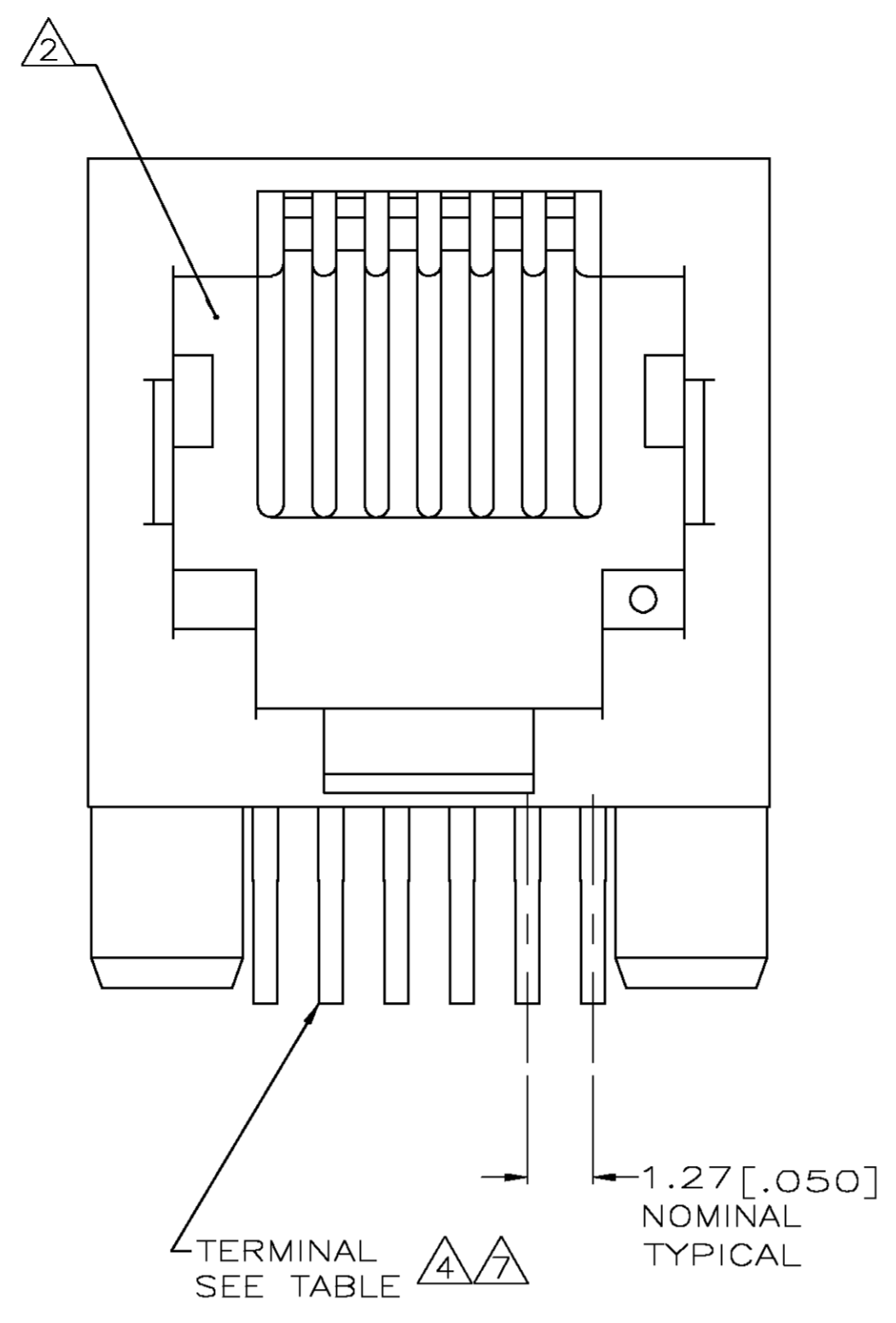
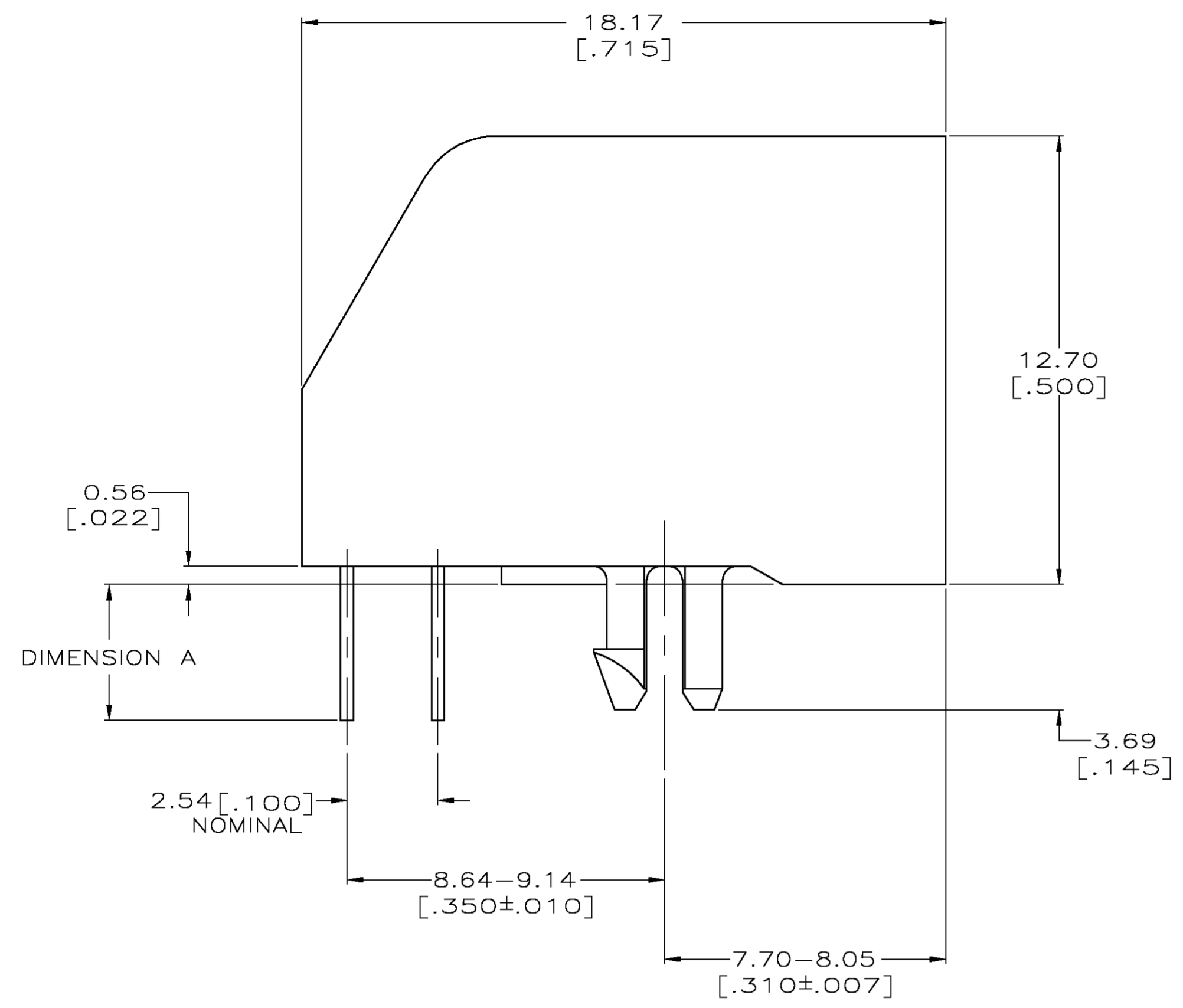
Contact us

Tel: +86-755-8981 8866 Fax: +86-755-8427 6832

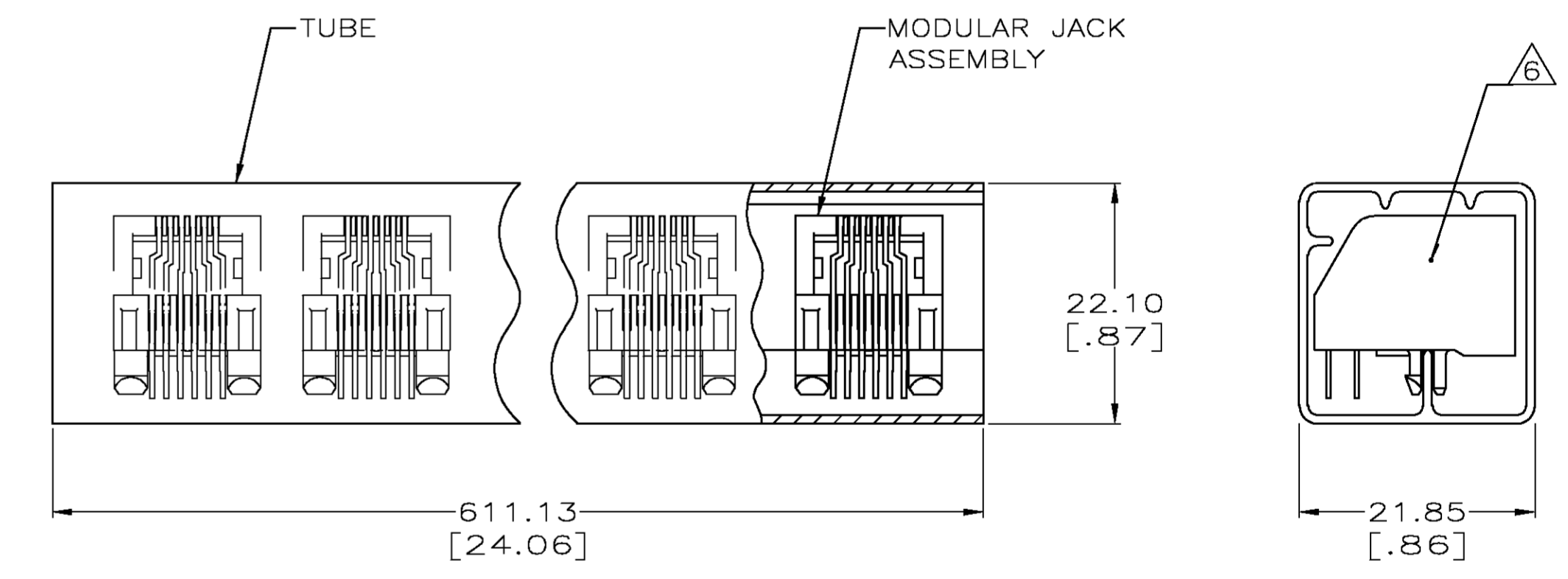
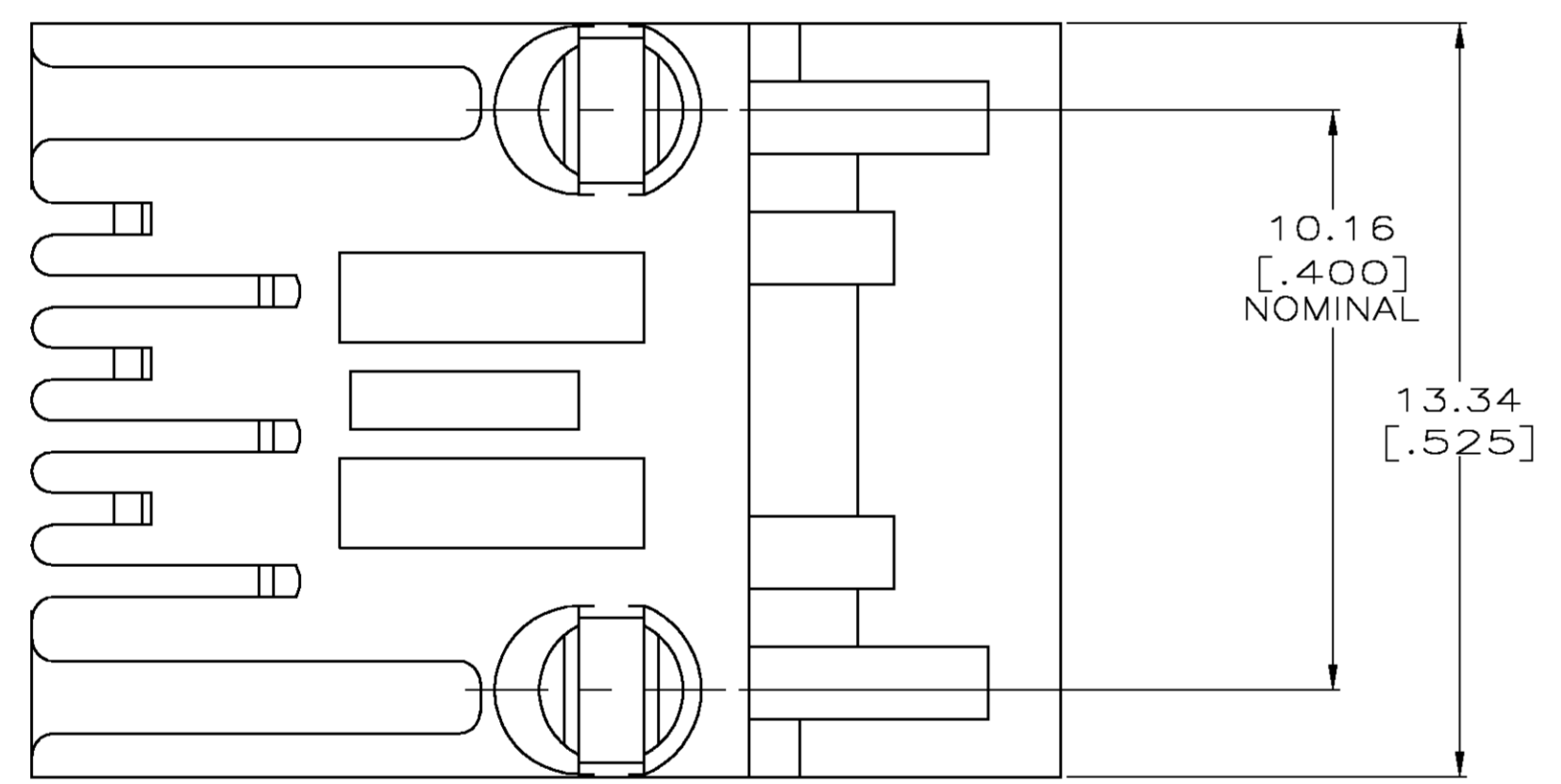
Email & Skype: info@chipsmall.com Web: www.chipsmall.com

Address: A1208, Overseas Decoration Building, #122 Zhenhua RD., Futian, Shenzhen, China

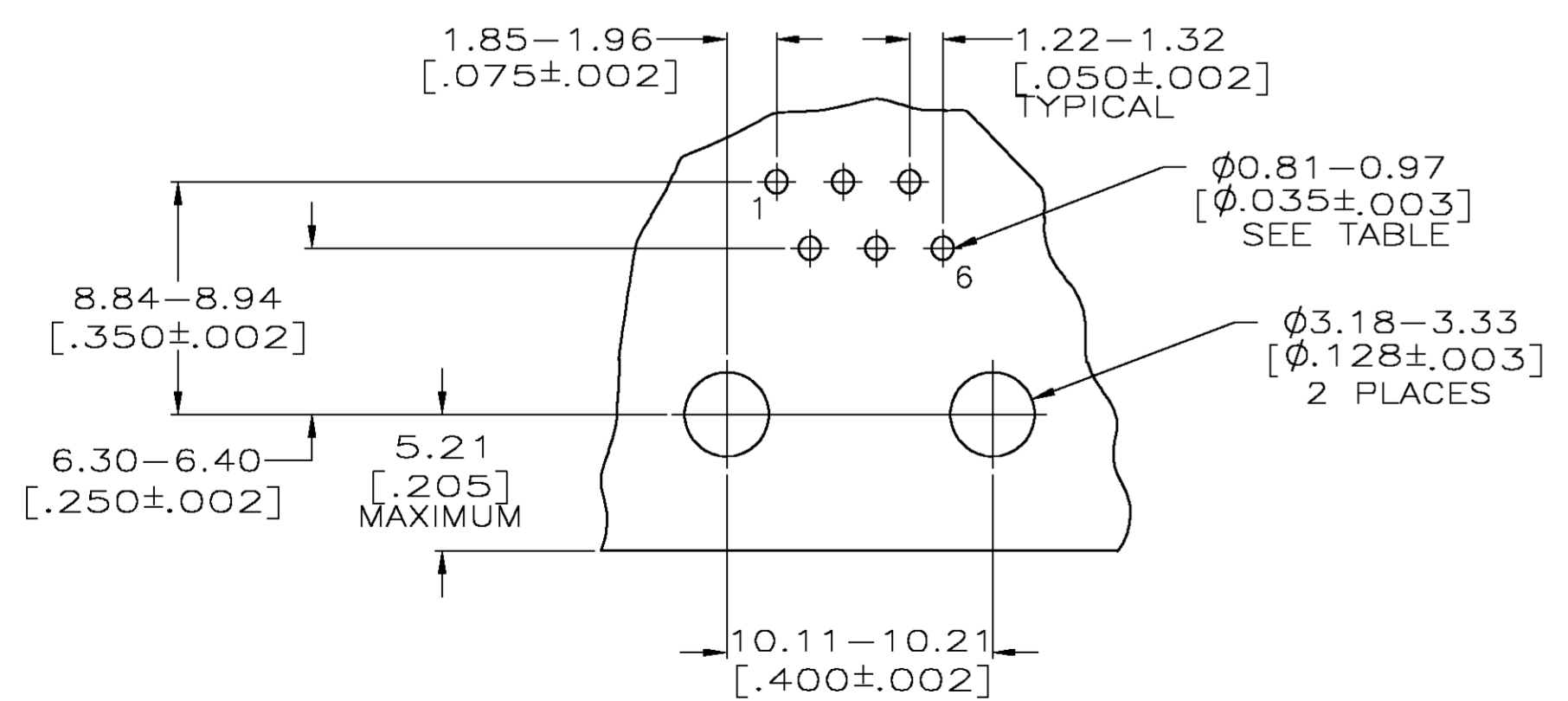




- ⚠ MATERIAL: HOUSING - PBT POLYESTER, SEE TABLE FOR COLOR.
 TERMINAL - 0.35[.0138] THICK PHOSPHOROUS-BRONZE PLATED WITH 1.27μm[.000050] THICK HARD GOLD IN LOCALIZED GOLD PLATE AREA AND 2.03μm[.000080] THICK TIN LEAD IN SOLDER AREA OVER 1.27μm[.000050] THICK NICKEL UNDERPLATE.
- ⚠ CAVITY CONFORMS TO FCC RULES AND REGULATIONS PART 68, SUBPART F.
- ⚠ DIMENSIONS ARE MAXIMUM UNLESS OTHERWISE SPECIFIED.
- ⚠ TERMINALS FOR 555165-2, -7 AND -8 LOCATED IN FOUR CENTER POSITIONS.
- ⚠ BULK PACKAGED IN A TRAY.
- ⚠ PACKAGED 43 ASSEMBLIES PER TUBE WITH BOTH ENDS CLOSED. SEE DETAIL A.
- ⚠ TERMINALS FOR 555165-5 AND -6 LOCATED IN TWO CENTER POSITIONS.



DETAIL A
SCALE 2:1



SUGGESTED PRINTED CIRCUIT BOARD
 MOUNTING HOLE LAYOUT
 VIEW SHOWN AS COMPONENT SIDE OF BOARD
 SCALE 4:1

OBsolete	2.79±0.25[.110±.010]	BLACK	6	⚠	⚠	6	555165-9
	3.81±0.51[.150±.020]	GRAY	CENTER 4	⚠	⚠	4	555165-8
	2.79±0.25[.110±.010]	BLACK	CENTER 4	⚠	⚠	4	555165-7
	2.79±0.25[.110±.010]	GRAY	CENTER 2	⚠	⚠	2	555165-6
	3.81±0.51[.150±.020]	BLACK	CENTER 2	⚠	⚠	2	555165-5
			6	⚠	⚠	6	555165-4
			CENTER 4	⚠	⚠	4	555165-2
	6		⚠	⚠	6	555165-1	
	CUTOFF DIMENSION A	COLOR	HOLES REQUIRED	PACKAGED	TERMINALS REQUIRED	PART NUMBER	

THIS DRAWING IS A CONTROLLED DOCUMENT.

DIMENSIONS: MM [INCHES]	TOLERANCES UNLESS OTHERWISE SPECIFIED:	DIN D. STRAUSSER 05 APR 94	APVD J. TONEY 14 APR 94	NAME	TYCO Electronics
0 PLC ± -	1 PLC ± -	2 PLC ± -	3 PLC ± -	4 PLC ± -	ANGLES ± -
MATERIAL	FINISH	SIZE	CAGE CODE	DRAWING NO	RESTRICTED TO
		A1	00779	555165	

CUSTOMER DRAWING SCALE 8:1 SHEET 1 OF 1 REV N