



Chipsmall Limited consists of a professional team with an average of over 10 year of expertise in the distribution of electronic components. Based in Hongkong, we have already established firm and mutual-benefit business relationships with customers from,Europe,America and south Asia,supplying obsolete and hard-to-find components to meet their specific needs.

With the principle of “Quality Parts,Customers Priority,Honest Operation,and Considerate Service”,our business mainly focus on the distribution of electronic components. Line cards we deal with include Microchip,ALPS,ROHM,Xilinx,Pulse,ON,Everlight and Freescale. Main products comprise IC,Modules,Potentiometer,IC Socket,Relay,Connector.Our parts cover such applications as commercial,industrial, and automotives areas.

We are looking forward to setting up business relationship with you and hope to provide you with the best service and solution. Let us make a better world for our industry!



## Contact us

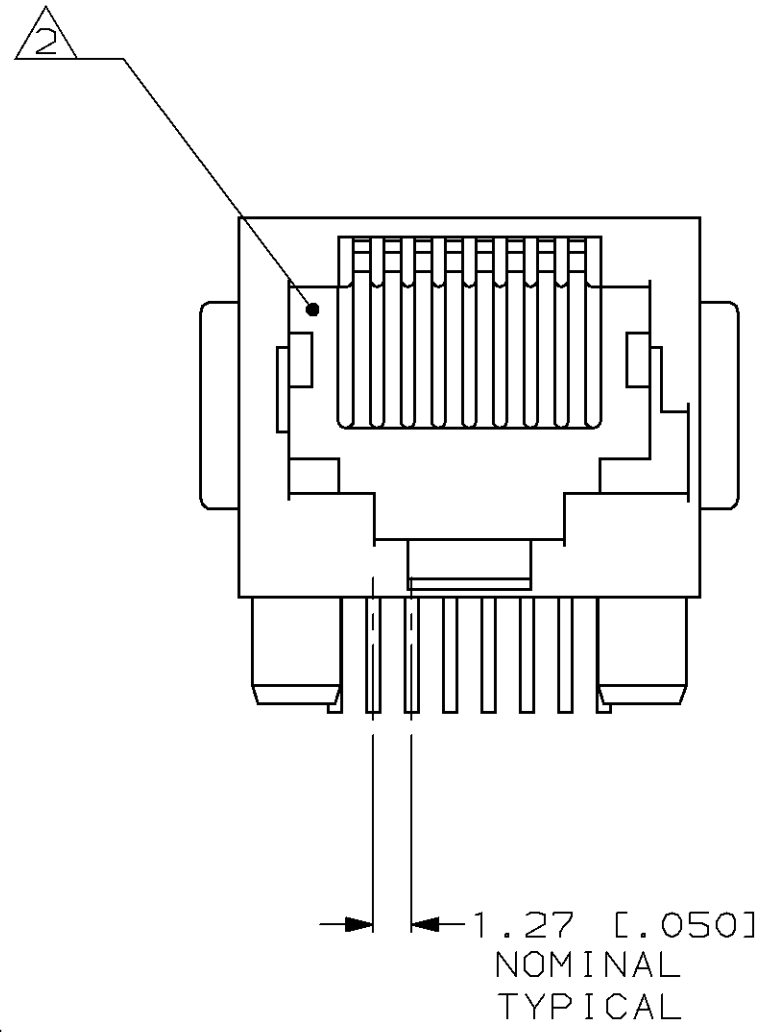
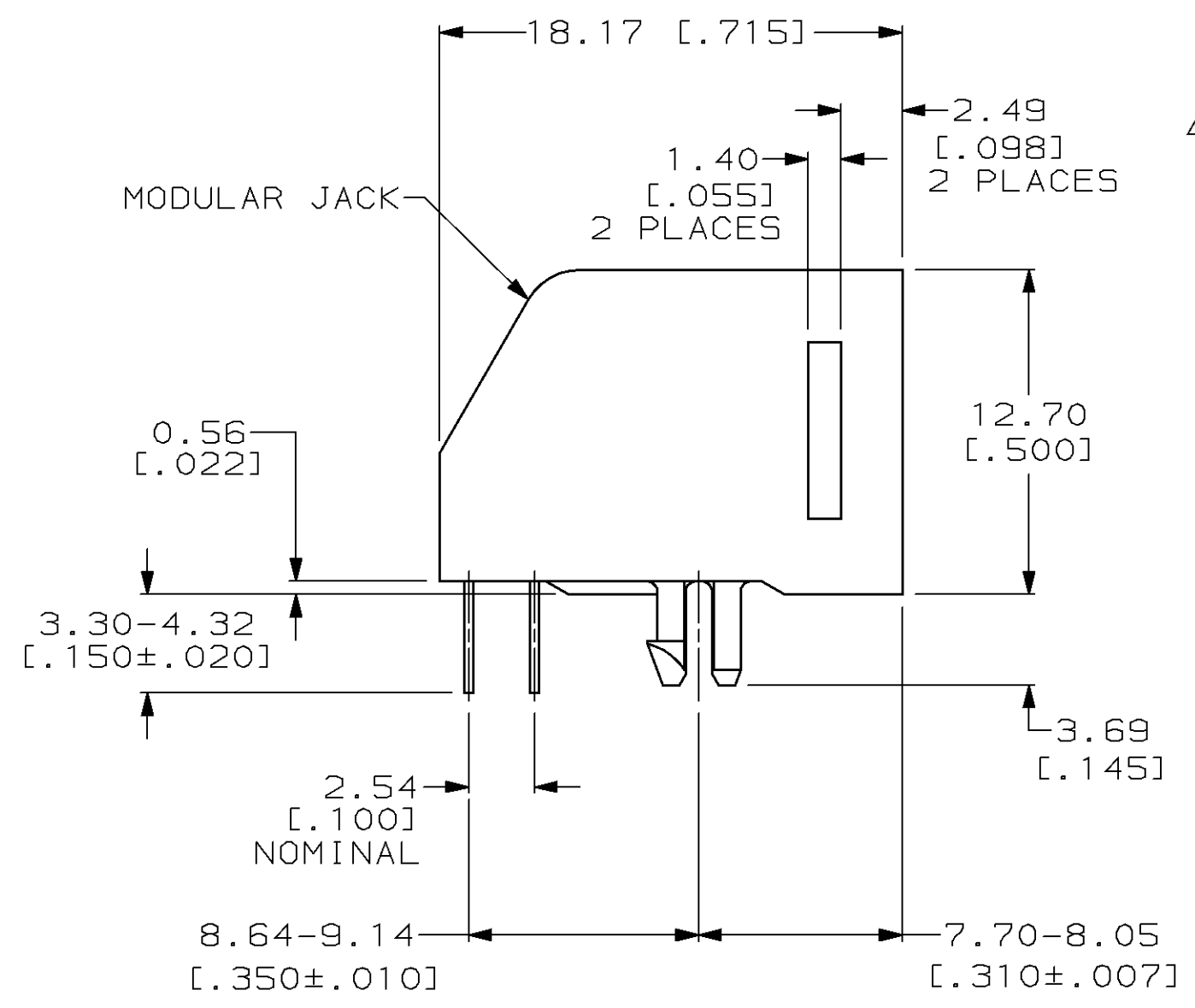
Tel: +86-755-8981 8866 Fax: +86-755-8427 6832

Email & Skype: info@chipsmall.com Web: www.chipsmall.com

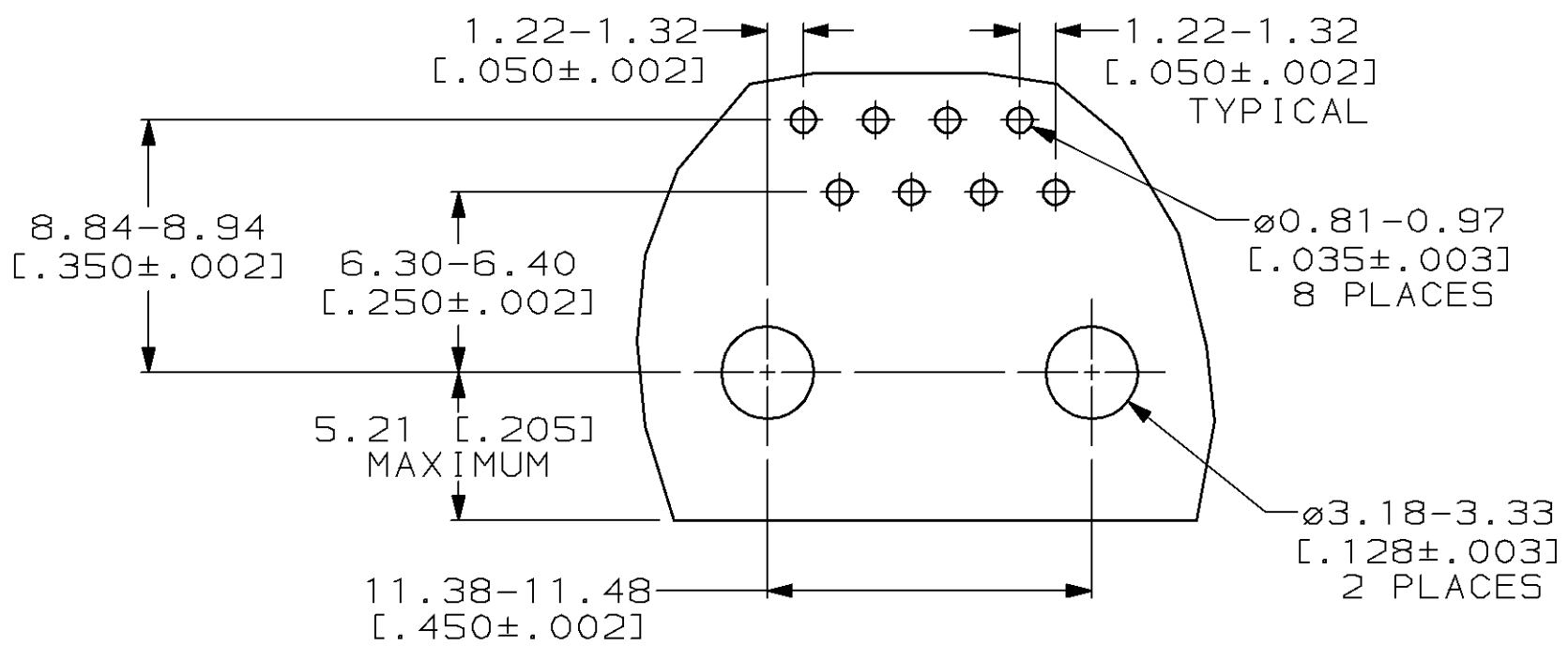
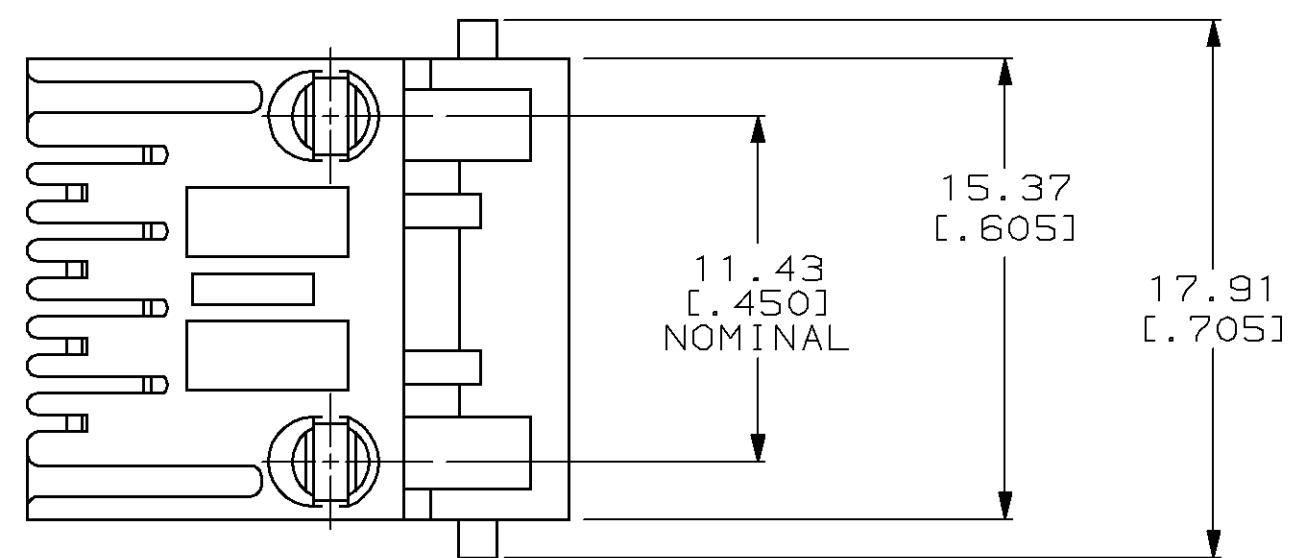
Address: A1208, Overseas Decoration Building, #122 Zhenhua RD., Futian, Shenzhen, China



LOC	DIST	P	F	REVISIONS			DATE	APPD
AA	22			ZONE	LTR	DESCRIPTION		
					H	OBS: -3; EC 0502-0846-97	21MAY98	D5 CB



- ① MATERIAL: HOUSING - PBT POLYESTER, BLACK.  
 TERMINAL - 0.36 [.014] THICK PHOS BRONZE PLATED WITH 1.27μm [.000050] THICK HARD GOLD IN LOCALIZED GOLD PLATE AREA AND 2.03μm [.000080] THICK TIN LEAD IN SOLDER AREA OVER 1.27μm [.000050] THICK NICKEL UNDERPLATE.
- ② CAVITY CONFORMS TO FCC RULES AND REGULATIONS PART 68, SUBPART F.
- ③ DIMENSIONS ARE MAXIMUM UNLESS OTHERWISE SPECIFIED.



SUGGESTED PRINTED CIRCUIT BOARD  
 MOUNTING HOLE LAYOUT  
 LAYOUT SHOWN FROM CIRCUIT SIDE OF BOARD

THIS DRAWING IS A CONTROLLED DOCUMENT FOR AMP INCORPORATED. IT IS SUBJECT TO CHANGE AND THE CONTROLLING ENGINEERING ORGANIZATION SHOULD BE CONTACTED FOR THE LATEST REVISION.

DO NOT SCALE PRINT. UNLESS SPECIFIED DIMENSIONS IN mm [INCHES] TOLERANCES ON:		DR 11-8-95 D. STRAUSSER	8 TERMINALS		555166-1 PART NO	
2 PLC DEC ± -		CHK 11-14-95 N. JONES	AMP Incorporated Harrisburg, PA 17105-3608			
3 PLC DEC ± -		APPD 11-20-95 J. TONEY				
ANGLES ± -		APPD 11-20-95 H. MCGRATH	NAME MODULAR JACK ASSEMBLY 8 POSITION, LOW PROFILE, RIGHT ANGLE, KEYED, WITH PANEL STOPS			
MATERIAL		PRODUCT SPEC 108-1163	DRAWING NO G=555166			
FINISH		APPLICATION SPEC 114-2048	SIZE C	CAGE CODE 00779	SHEET 1 OF 1	
		WEIGHT -	SCALE 4:1	CUSTOMER DRAWING		