



Chipsmall Limited consists of a professional team with an average of over 10 year of expertise in the distribution of electronic components. Based in Hongkong, we have already established firm and mutual-benefit business relationships with customers from,Europe,America and south Asia,supplying obsolete and hard-to-find components to meet their specific needs.

With the principle of “Quality Parts,Customers Priority,Honest Operation,and Considerate Service”,our business mainly focus on the distribution of electronic components. Line cards we deal with include Microchip,ALPS,ROHM,Xilinx,Pulse,ON,Everlight and Freescale. Main products comprise IC,Modules,Potentiometer,IC Socket,Relay,Connector.Our parts cover such applications as commercial,industrial, and automotives areas.

We are looking forward to setting up business relationship with you and hope to provide you with the best service and solution. Let us make a better world for our industry!



Contact us

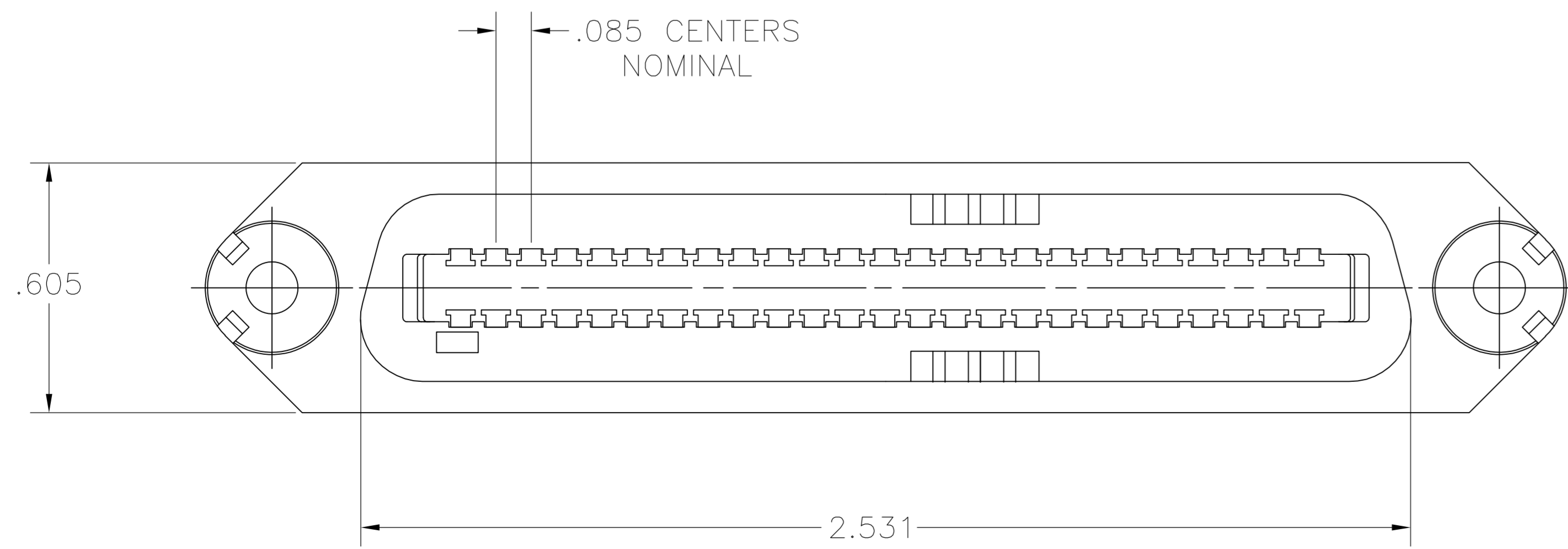
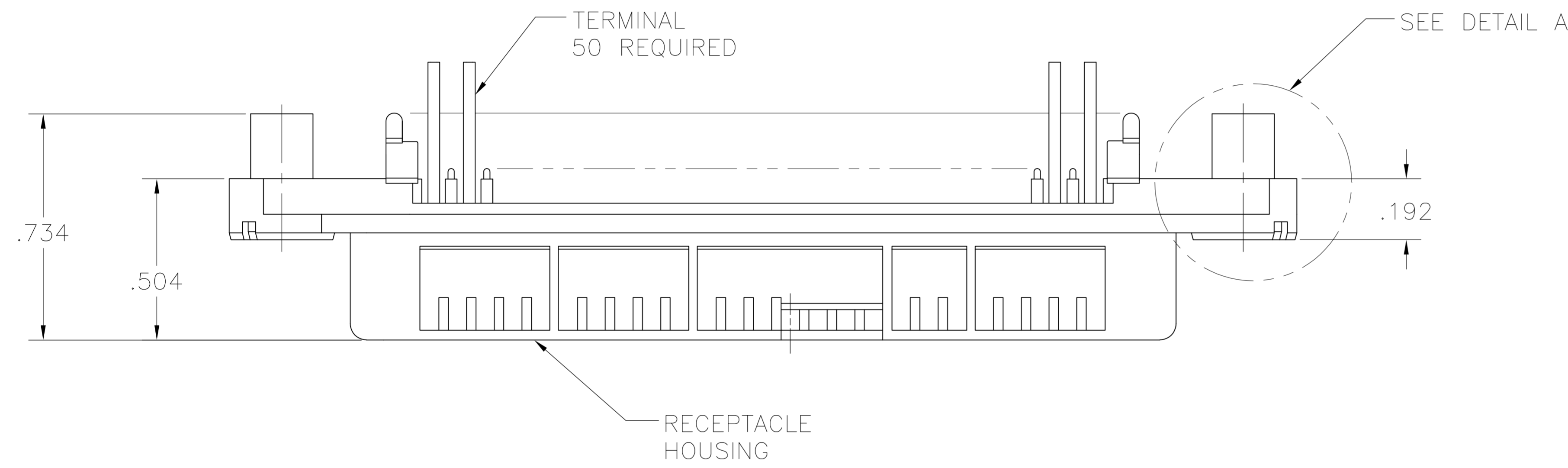
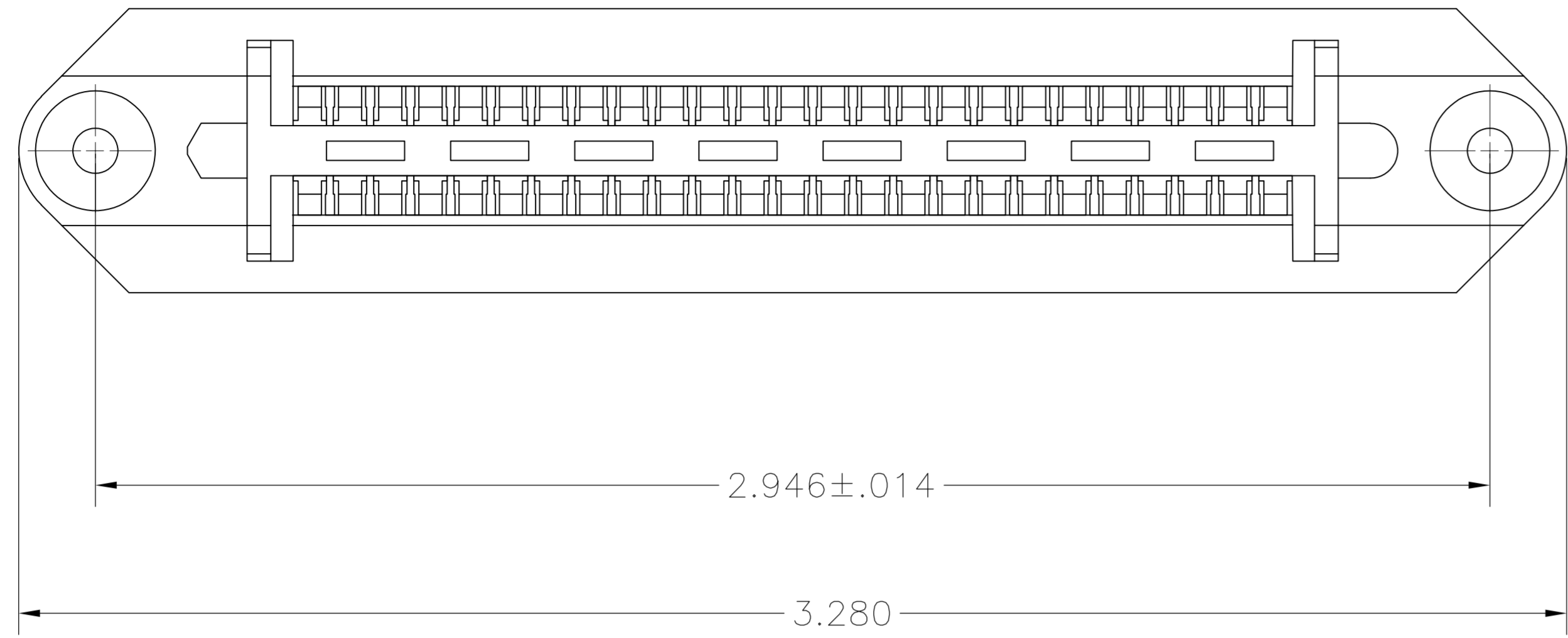
Tel: +86-755-8981 8866 Fax: +86-755-8427 6832

Email & Skype: info@chipsmall.com Web: www.chipsmall.com

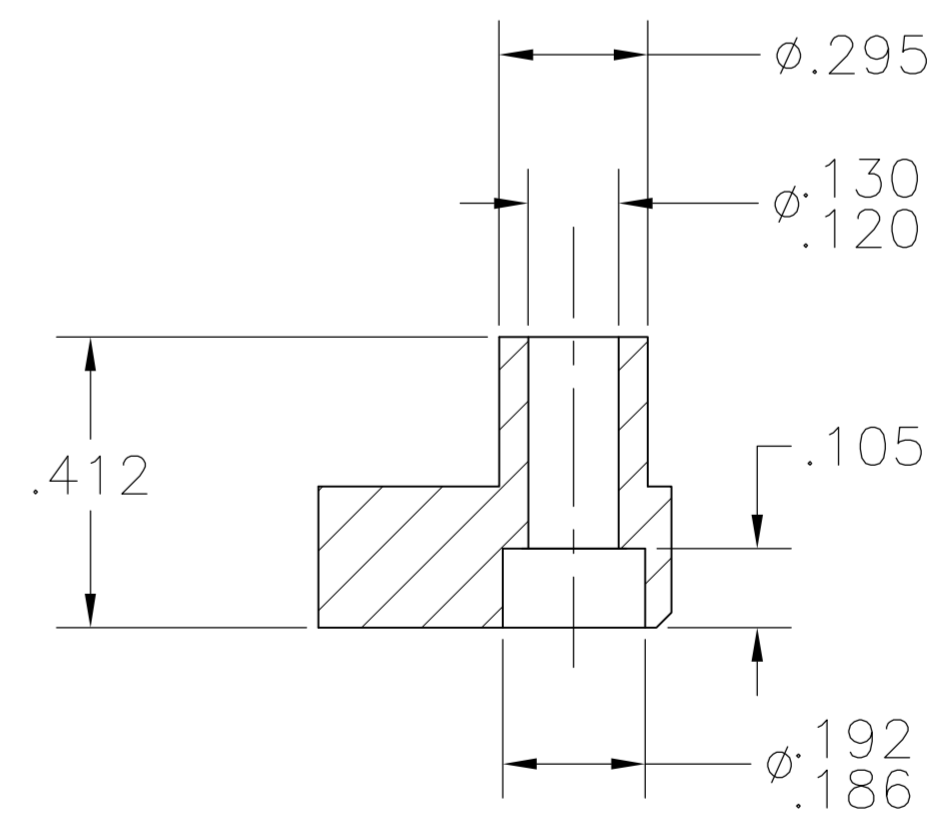
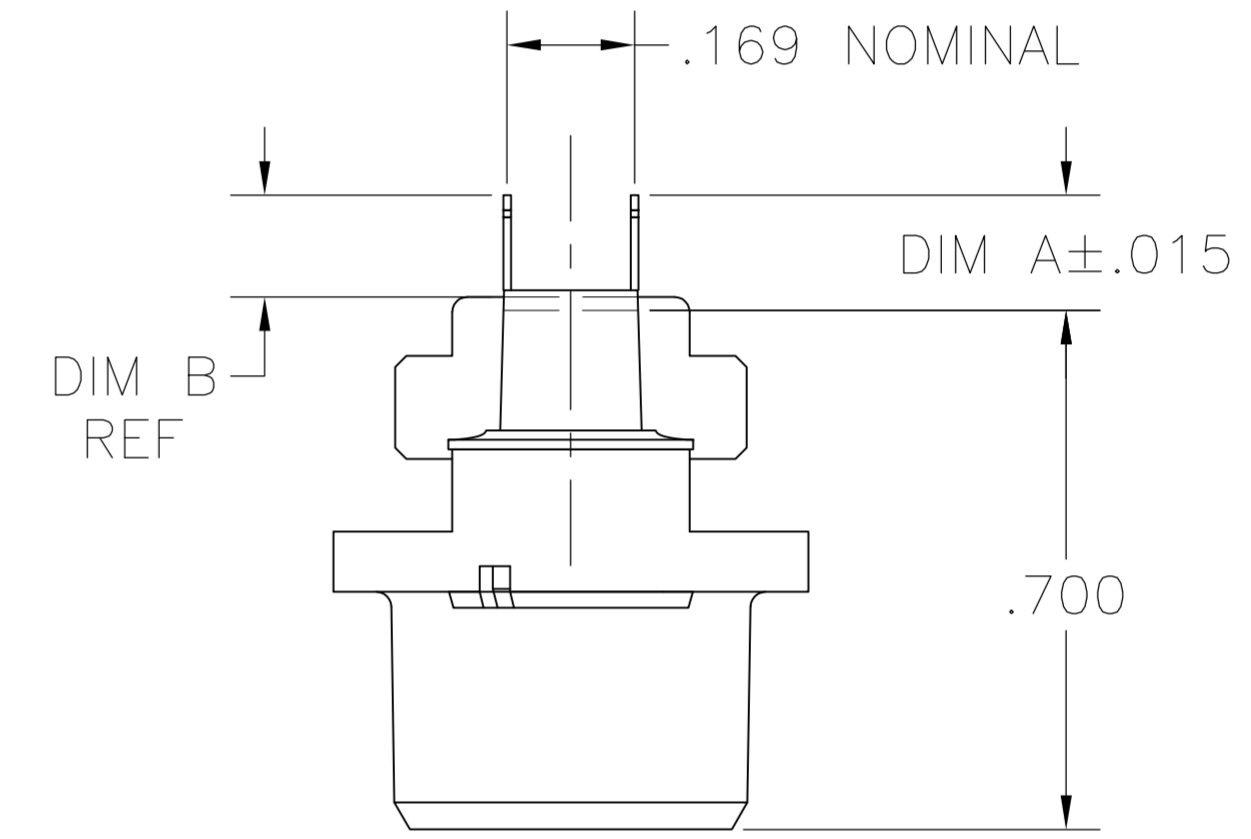
Address: A1208, Overseas Decoration Building, #122 Zhenhua RD., Futian, Shenzhen, China



LOC		DIST		REVISIONS			
F	LTR	DESCRIPTION	DATE	DWN	APVD		
B		REVISED PER ECO-08-007327	22JUL08	BM	WM		



1. THE CONTACT SURFACES OF THE TERMINALS ARE COATED WITH LUBRICANT.
2. MATERIAL: HOUSING - POLYESTER, BLACK. TERMINAL - PHOS BRONZE PLATED WITH EITHER .000030 MINIMUM GOLD PLATE OR GOLD FLASH OVER PALLADIUM NICKEL PLATE, .000030 MINIMUM TOTAL ON MATING SURFACE. .000120 MINIMUM TIN PLATE ON TAILS OVER .000050 MINIMUM NICKEL UNDERPLATE OVER ENTIRE TERMINAL.
3. ALL DIMENSIONS SHOWN ARE MAXIMUM UNLESS OTHERWISE SPECIFIED.



DETAIL A

.180	.200	5552118-1
DIM B	DIM A	PART NO

THIS DRAWING IS A CONTROLLED DOCUMENT.		DWN S. LATTUCA	22AUG05	Tyco Electronics Corporation Harrisburg, PA 17105-3608
DIMENSIONS: INCHES		CHK W. MILLHIMES	22AUG05	
TOLERANCES UNLESS OTHERWISE SPECIFIED:		APVD M. WALMSLEY	22AUG05	NAME RECEPTACLE ASSEMBLY, 50 POSN, VERTICAL MTG, CHAMP-LOK
0 PLC ± -	1 PLC ± -	APPLICATION SPEC		SIZE A1
2 PLC ± -	3 PLC ± -	WEIGHT		CAGE CODE 5552118
4 PLC ± -	ANGLES ± -	CUSTOMER DRAWING		RESTRICTED TO
FINISH		SCALE 4:1		SHEET 1 of 1