



Chipsmall Limited consists of a professional team with an average of over 10 year of expertise in the distribution of electronic components. Based in Hongkong, we have already established firm and mutual-benefit business relationships with customers from,Europe,America and south Asia,supplying obsolete and hard-to-find components to meet their specific needs.

With the principle of “Quality Parts,Customers Priority,Honest Operation,and Considerate Service”,our business mainly focus on the distribution of electronic components. Line cards we deal with include Microchip,ALPS,ROHM,Xilinx,Pulse,ON,Everlight and Freescale. Main products comprise IC,Modules,Potentiometer,IC Socket,Relay,Connector.Our parts cover such applications as commercial,industrial, and automotives areas.

We are looking forward to setting up business relationship with you and hope to provide you with the best service and solution. Let us make a better world for our industry!



## Contact us

Tel: +86-755-8981 8866 Fax: +86-755-8427 6832

Email & Skype: info@chipsmall.com Web: www.chipsmall.com

Address: A1208, Overseas Decoration Building, #122 Zhenhua RD., Futian, Shenzhen, China

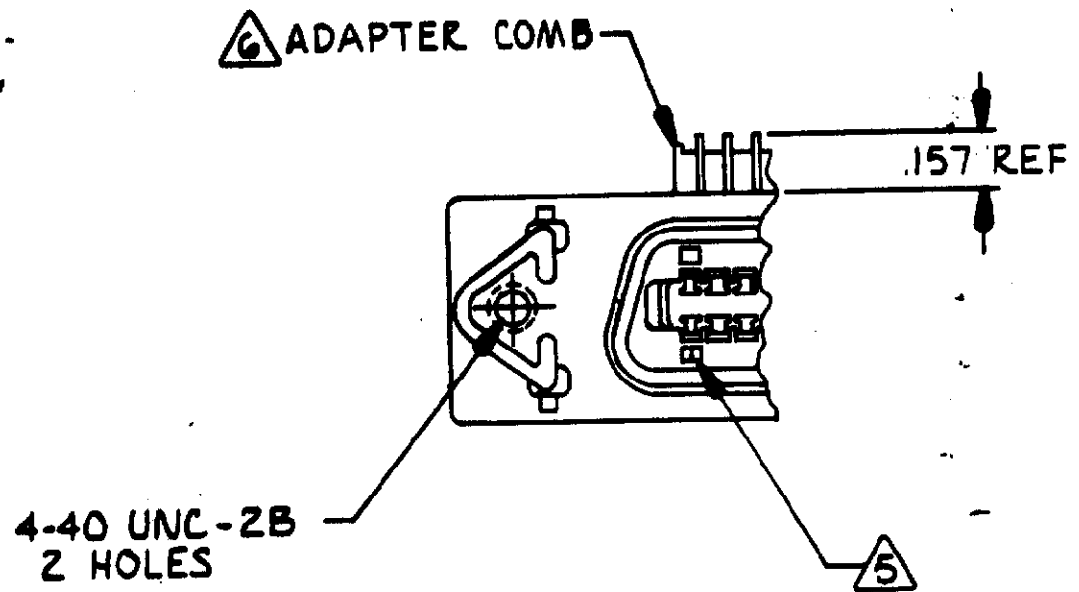
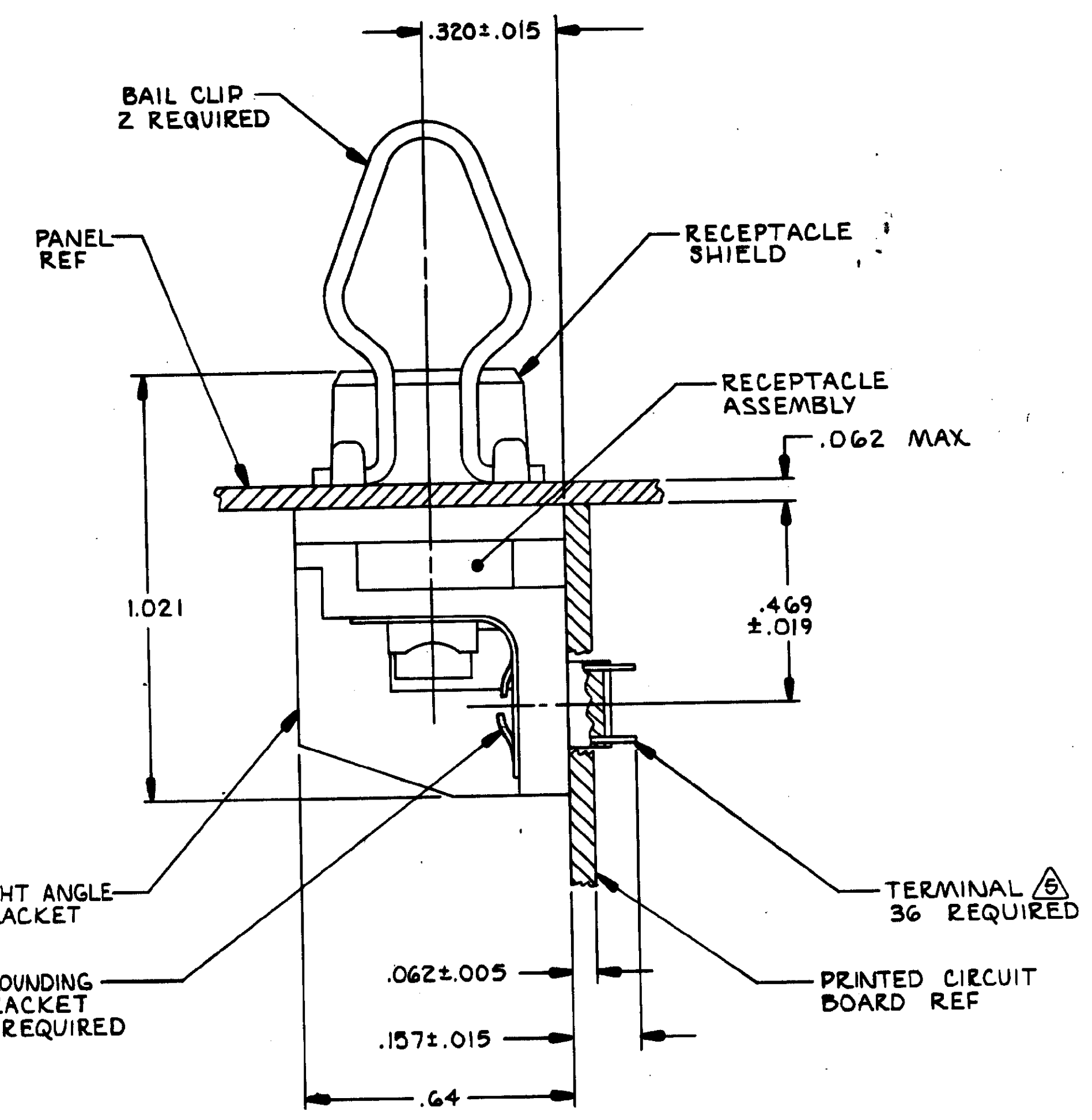
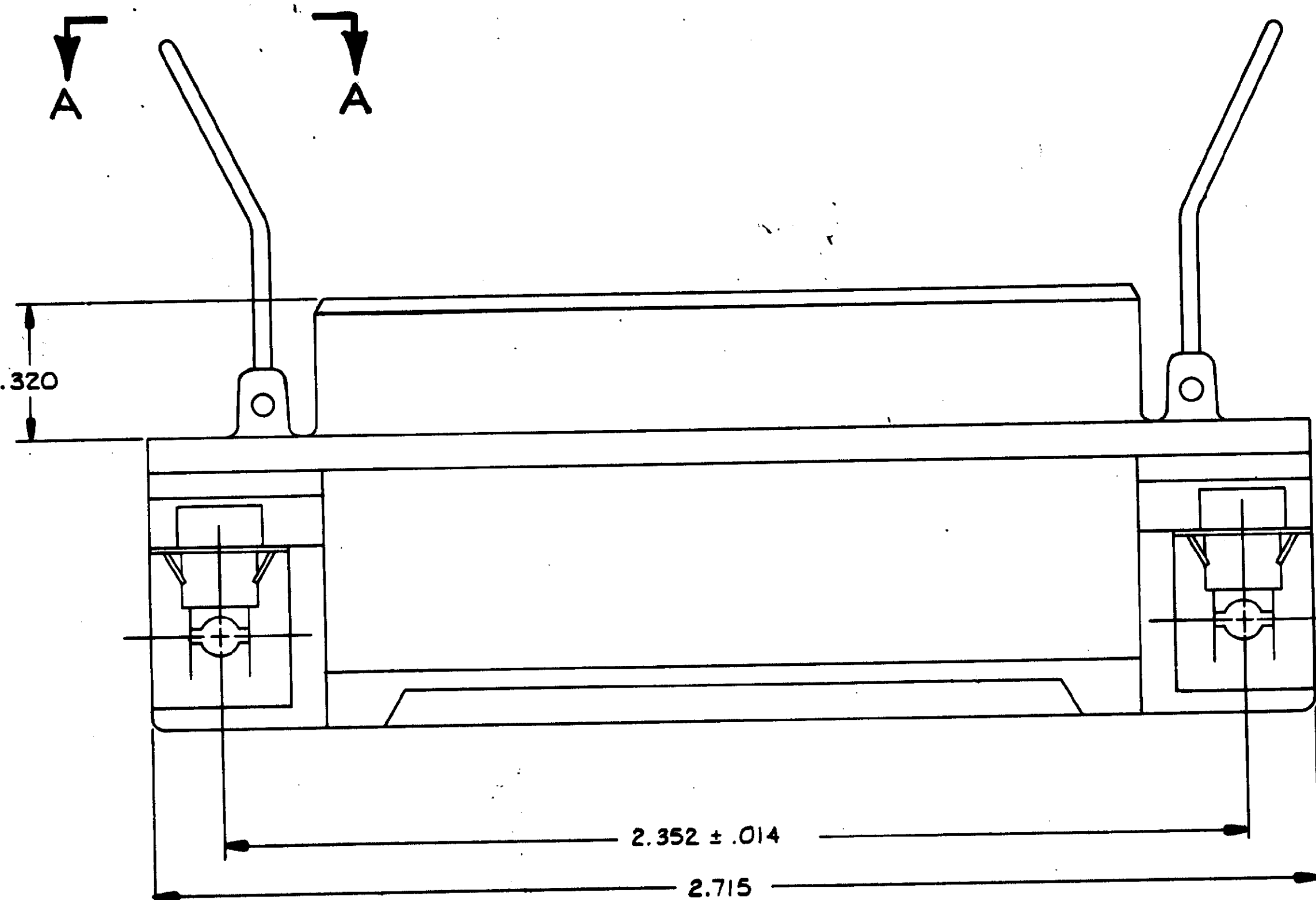


THIS DRAWING IS UNPUBLISHED. RELEASED FOR PUBLICATION. 19  
© COPYRIGHT 19 BY AMP INCORPORATED, HARRISBURG, PA. ALL INTERNATIONAL RIGHTS RESERVED. AMP PRODUCTS MAY BE COVERED BY U.S. AND FOREIGN PATENTS AND/OR PATENTS PENDING.

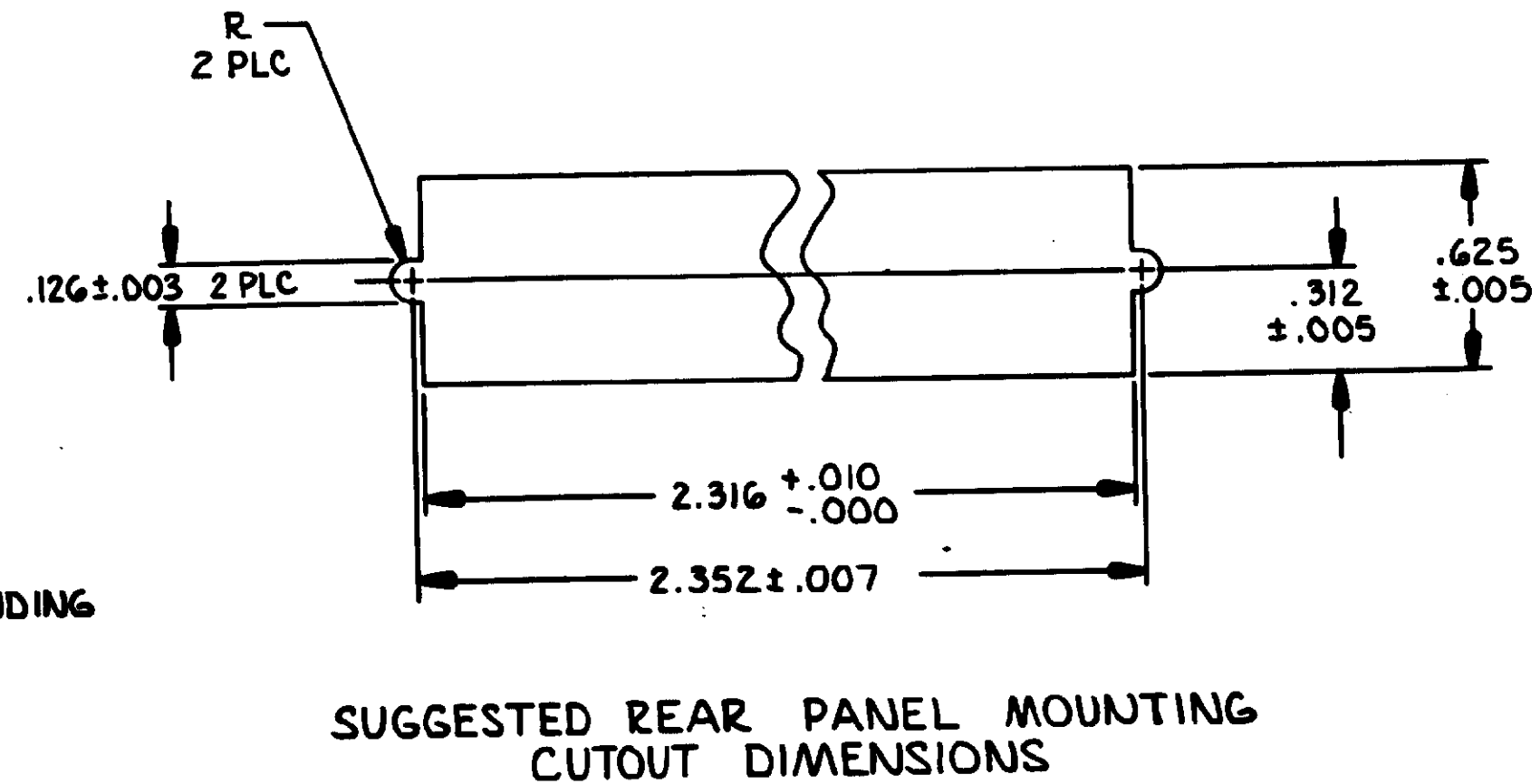
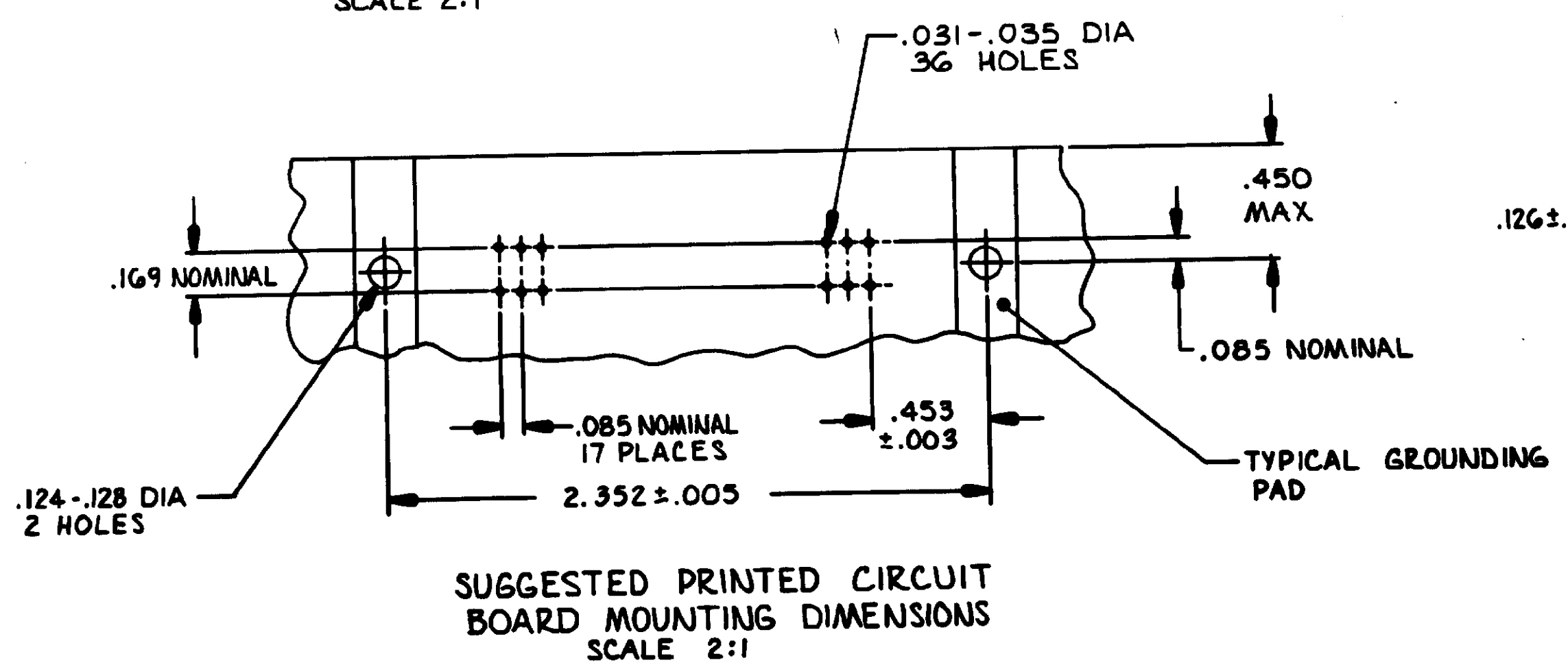
REVISIONS				DATE	APPROVED
P	F	ZONE	LTR	DESCRIPTION	
0				RLSD; NPI C87-5Z	6-18-87 VS

△ MATERIAL: SUPPORT PLATE, BRACKET, HOUSING AND ADAPTER COMB-POLYESTER, BLACK. BAIL CLIPS-PASSIVATED STAINLESS STEEL. RECEPTACLE SHIELD-BRIGHT NICKEL OVER COPPER PLATED ZINC. TERMINALS-TAILS-TIN LEAD OVER NICKEL PLATED HIGH STRENGTH COPPER ALLOY. MATING SURFACE-LOCALIZED GOLD OVER NICKEL PLATED HIGH STRENGTH COPPER ALLOY. GROUND BRACKET-ZINC PLATED CARBON STEEL.

2. THE CONTACT SURFACES OF THE TERMINALS ARE COATED WITH LUBRICANT.
  3. CENTER-TO-CENTER SPACING OF TERMINALS IS .085 NOMINAL.
  4. ALL DIMENSIONS SHOWN ARE MAXIMUM UNLESS OTHERWISE SPECIFIED.
- △ TERMINAL 1 LOCATED IN THIS ROW FOR STANDARD ORIENTATION.
- △ IF TERMINALS DO NOT EXTEND BELOW COMB THEN COMB SHALL BE PARTIALLY RETRACTED BEFORE INSERTING CONNECTOR INTO PC BOARD.
- △ ACCEPTS 4-40 SCREW-STAINLESS STEEL RECOMMENDED FOR CONTACT WITH SOLDER BATH.



VIEW AA SCALE 2:1



UNLESS OTHERWISE SPECIFIED DIMENSIONS ARE IN INCHES TOLERANCES ON: DECIMALS : ANGLES :		CONTRACT NO	555233-1 PART NO	
MATERIAL	△	DR	AMP   AMP INCORPORATED Harrisburg, Pa. 17105	
FINISH	△	CHK	NAME	
		APPRO	RECEPTACLE ASSEMBLY, SHIELDED, 36 POSITION, RIGHT ANGLE, W/GROUND BRACKET & BAIL LOCK, FLUSH MOUNTING, CHAMP®	
		DSGN	SIZE	FSCM NO
		OTHER APPD	D	00779
			DRAWING NO	555233
			SCALE	4:1
			SHEET 1 OF 1	