



Chipsmall Limited consists of a professional team with an average of over 10 year of expertise in the distribution of electronic components. Based in Hongkong, we have already established firm and mutual-benefit business relationships with customers from,Europe,America and south Asia,supplying obsolete and hard-to-find components to meet their specific needs.

With the principle of “Quality Parts,Customers Priority,Honest Operation,and Considerate Service”,our business mainly focus on the distribution of electronic components. Line cards we deal with include Microchip,ALPS,ROHM,Xilinx,Pulse,ON,Everlight and Freescale. Main products comprise IC,Modules,Potentiometer,IC Socket,Relay,Connector.Our parts cover such applications as commercial,industrial, and automotives areas.

We are looking forward to setting up business relationship with you and hope to provide you with the best service and solution. Let us make a better world for our industry!



Contact us

Tel: +86-755-8981 8866 Fax: +86-755-8427 6832

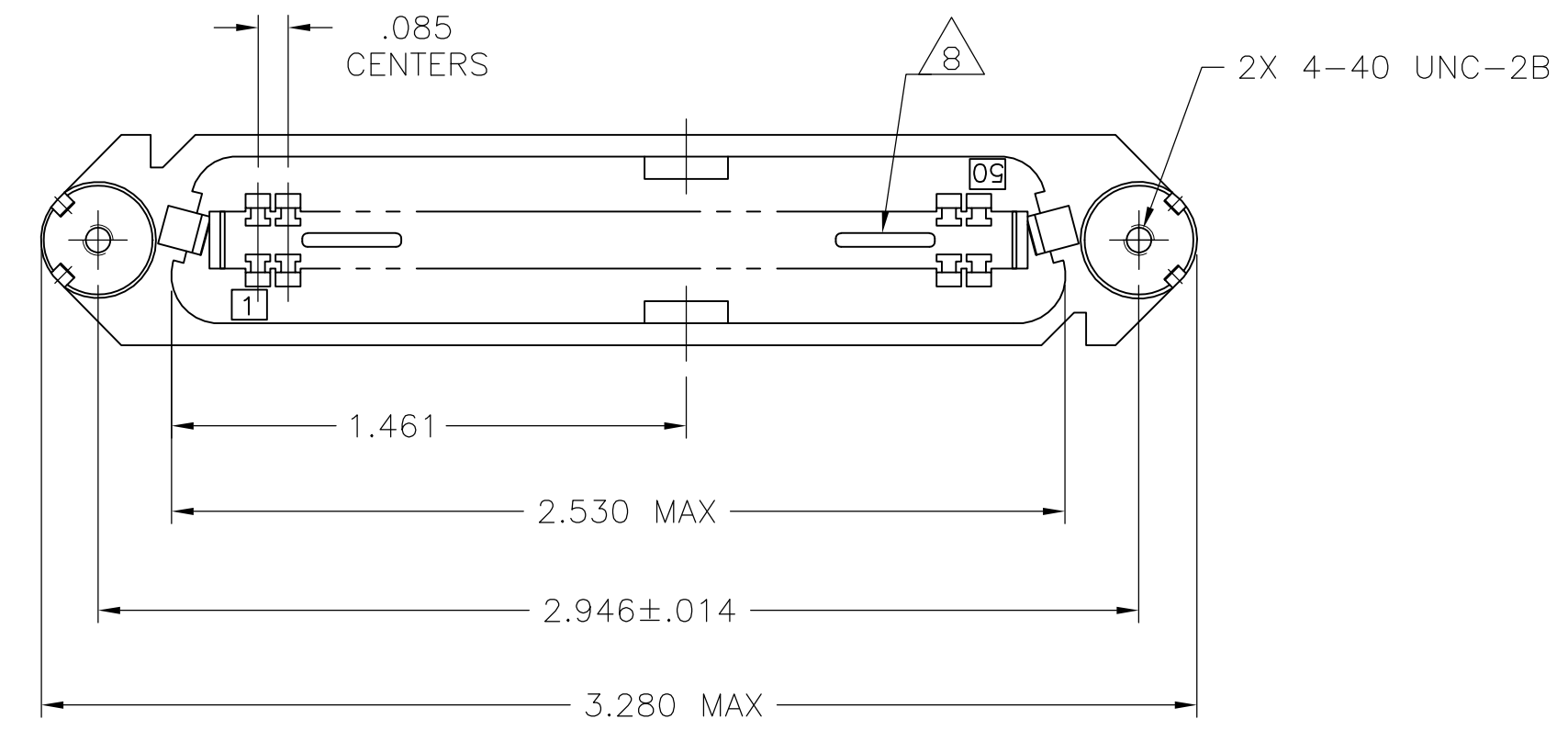
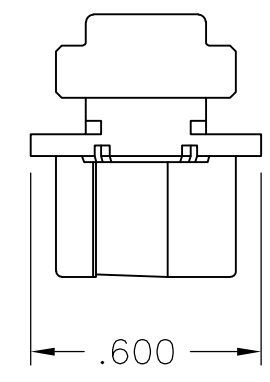
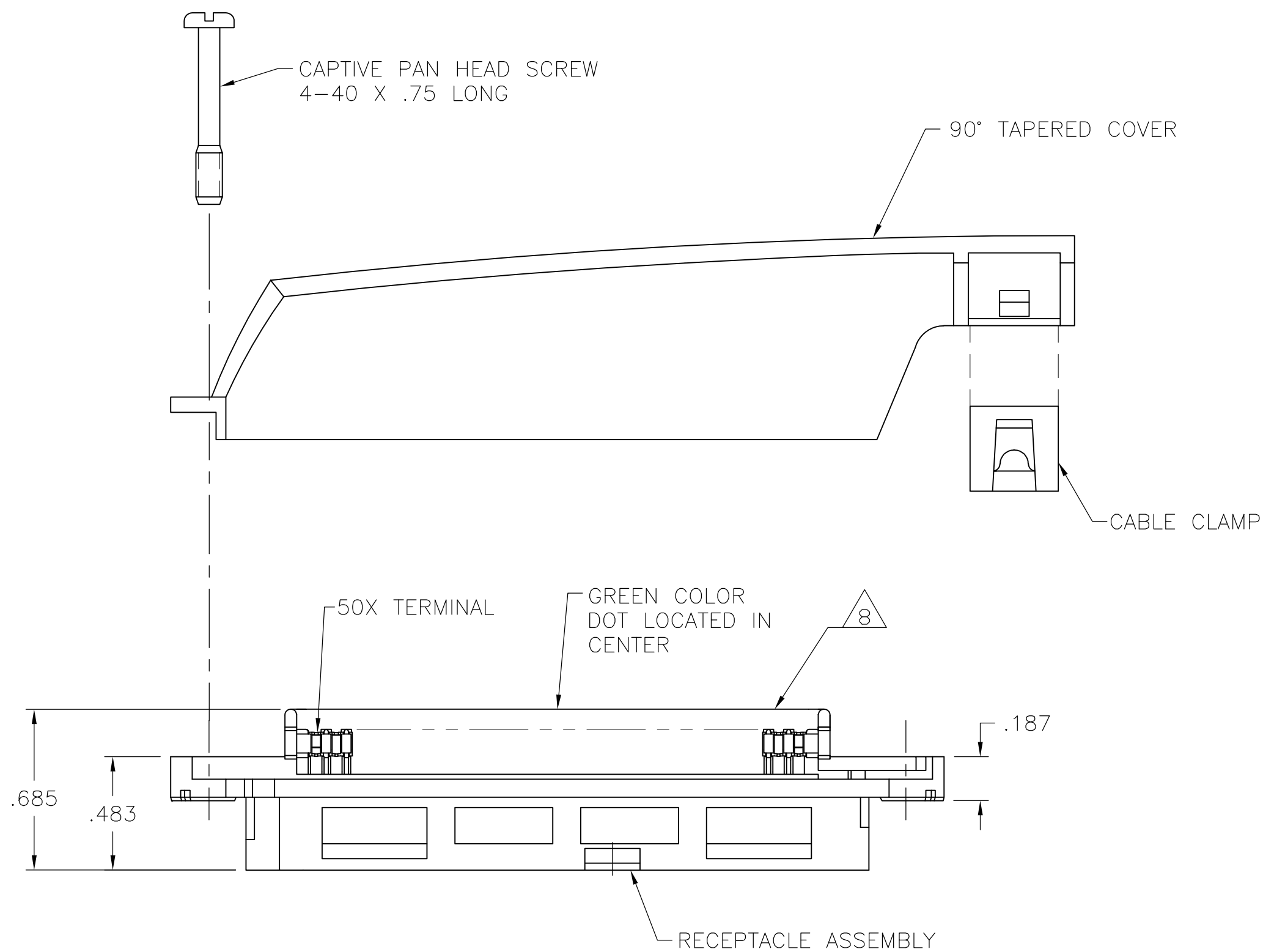
Email & Skype: info@chipsmall.com Web: www.chipsmall.com

Address: A1208, Overseas Decoration Building, #122 Zhenhua RD., Futian, Shenzhen, China



THIS DRAWING IS UNPUBLISHED. RELEASED FOR PUBLICATION
 © COPYRIGHT BY TYCO ELECTRONICS CORPORATION. ALL RIGHTS RESERVED.

LOC	DIST	REVISIONS			
P	LTR	DESCRIPTION	DATE	DWN	APVD
GP	00	B	REVISED PER ECO-08-007327	02OCT08	BM WM



1. THE CONTACT SURFACES OF THE TERMINALS ARE COATED WITH LUBRICANT.
2. ALL DIMENSIONS ARE SHOWN FOR REFERENCE ONLY UNLESS OTHERWISE SPECIFIED.
3. MATERIAL:
HOUSING, COVER, AND CABLE CLAMP: THERMOPLASTIC.
TERMINALS: PHOS BRONZE.
HARDWARE: STEEL.
4. FINISH:
TERMINALS: .000030 MIN GOLD OR, GOLD FLASH OVER PALLADIUM NICKEL PLATE, .000030 MIN TOTAL ON MATING SUFACE. .000050 MIN NICKEL UNDERPLATE OVER ENTIRE TERMINAL.
HARDWARE: ZINC PLATED.
5. COVER AND HARDWARE SHIPPED UNNASSEMBLED.
6. WIRE SIZE: 22 AWG SOLID OR 22 AWG, 7 STRANDS OF COPPER CONDUCTORS. MAXIMUM INSULATION DIAMETER OF .045 IS ACCEPTABLE FOR MOST APPLICATIONS.
7. KIT SHIPPED IN POLY BAG FORM.
8. CORING MAY OR MAY NOT APPEAR AND IS AT THE DISCRETION OF TYCO ENGINEERING.

.550 .500	BLACK	5552383-1
CABLE RANGE	COLOR	PART NUMBER

THIS DRAWING IS A CONTROLLED DOCUMENT.		DWN B. MCMASTER 30SEP05	Tyco Electronics Corporation Harrisburg, PA 17105-3608	
DIMENSIONS: INCHES	TOLERANCES UNLESS OTHERWISE SPECIFIED:	CHK W. MILLHIMES 30SEP05	NAME	
	0 PLC ± -	APVD W. MILLHIMES 30SEP05	RECEPTACLE KIT, 50 POSITION, C-SLOT, SCREW LOCK WITH TAPERED COVER, CHAMP-LOK	
	1 PLC ± -	PRODUCT SPEC	SIZE	RESTRICTED TO
	2 PLC ± -	APPLICATION SPEC	A2	
	3 PLC ± -		CAGE CODE	
	4 PLC ± -	WEIGHT	00779	
	ANGLES ± -		DRAWING NO	
MATERIAL	FINISH	CUSTOMER DRAWING	C=5552383	
		SCALE	2:1	
		SHEET	1 of 1	
		REV	B	

5552383