



Chipsmall Limited consists of a professional team with an average of over 10 year of expertise in the distribution of electronic components. Based in Hongkong, we have already established firm and mutual-benefit business relationships with customers from,Europe,America and south Asia,supplying obsolete and hard-to-find components to meet their specific needs.

With the principle of “Quality Parts,Customers Priority,Honest Operation,and Considerate Service”,our business mainly focus on the distribution of electronic components. Line cards we deal with include Microchip,ALPS,ROHM,Xilinx,Pulse,ON,Everlight and Freescale. Main products comprise IC,Modules,Potentiometer,IC Socket,Relay,Connector.Our parts cover such applications as commercial,industrial, and automotives areas.

We are looking forward to setting up business relationship with you and hope to provide you with the best service and solution. Let us make a better world for our industry!



Contact us

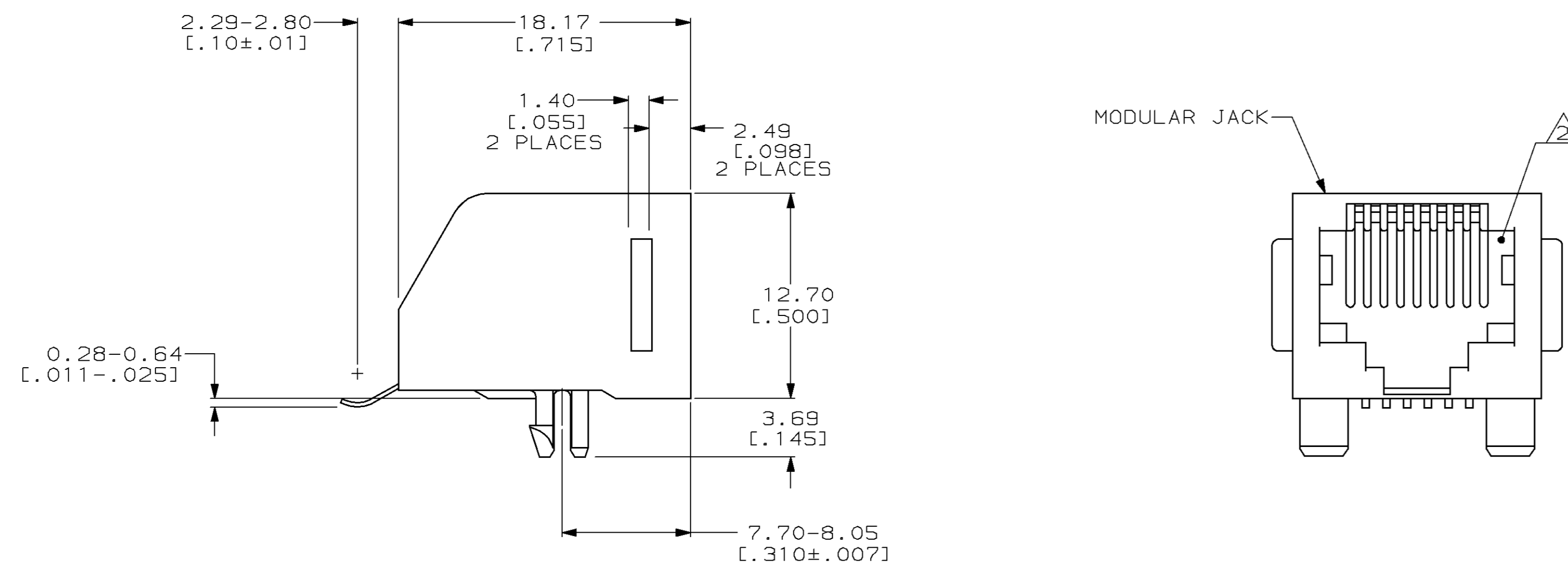
Tel: +86-755-8981 8866 Fax: +86-755-8427 6832

Email & Skype: info@chipsmall.com Web: www.chipsmall.com

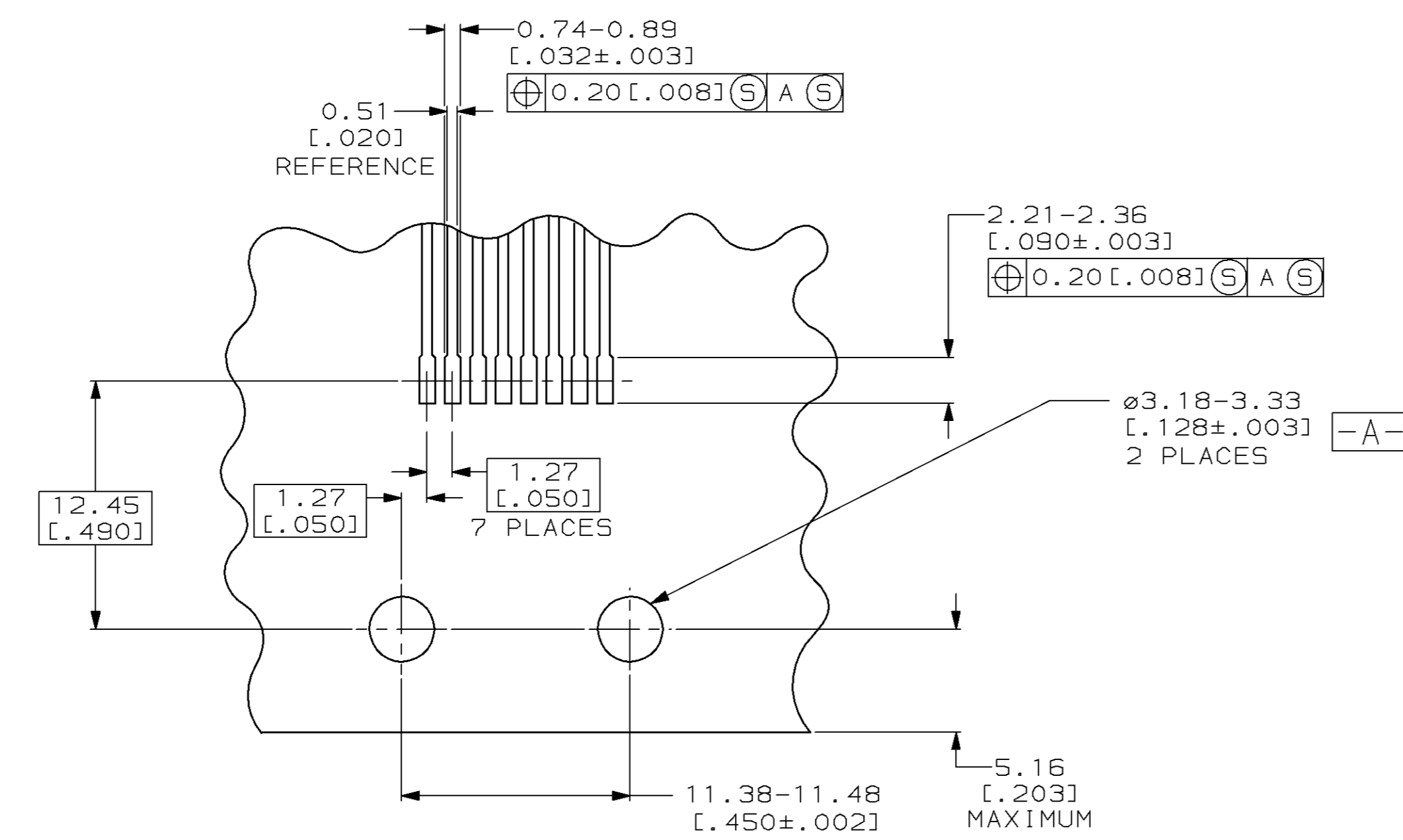
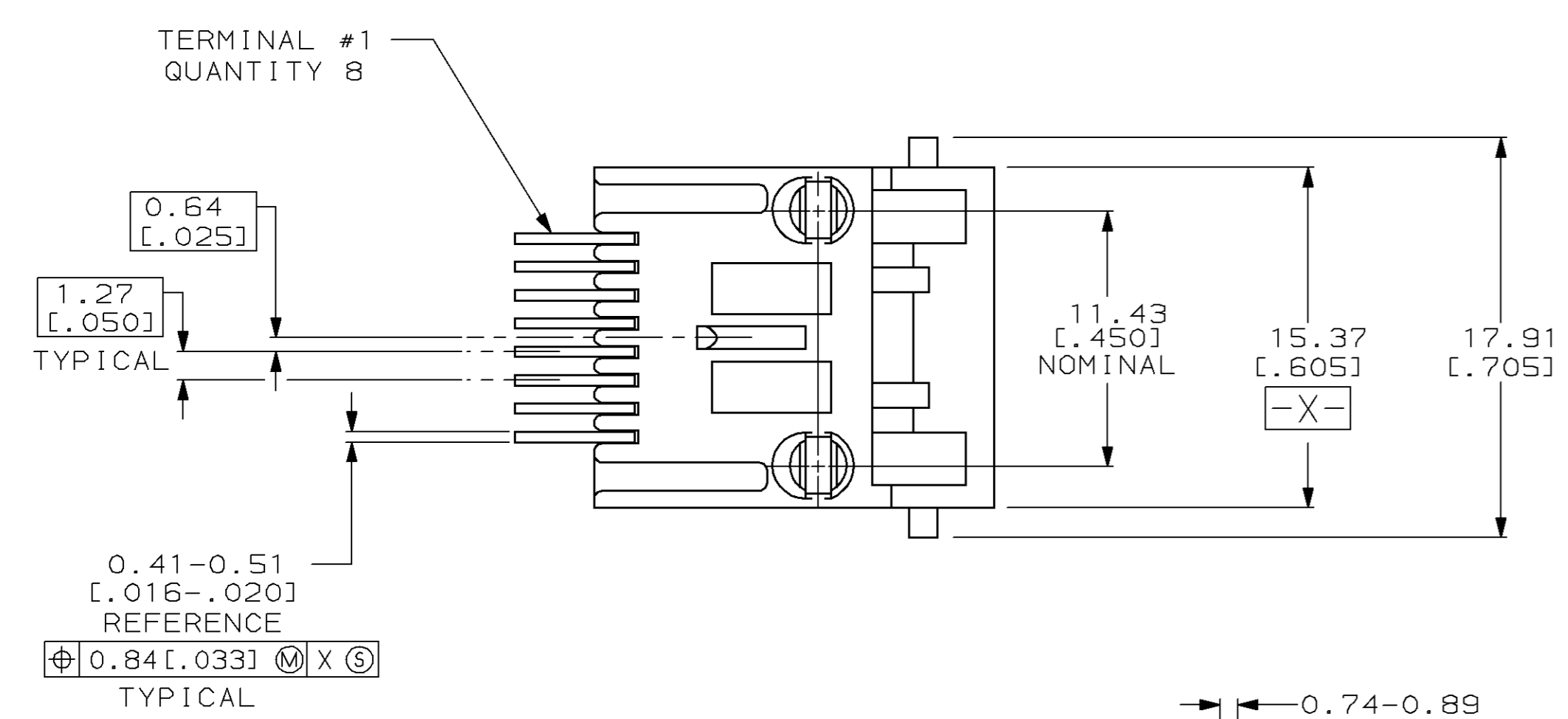
Address: A1208, Overseas Decoration Building, #122 Zhenhua RD., Futian, Shenzhen, China



LOC		DIST		P		F		ZONE		LTR		REVISIONS		DATE	APPD
AA	22													23OCT97	05 EL
												N	REV; EC 0502-0711-97		



- 1. MATERIAL: HOUSING - HTN MOLDING COMPOUND, 94 V0, BLACK.
 TERMINAL - 0.36 [.014] THICK PHOS-BRONZE PLATE WITH 1.27µm [.000050] THICK HARD GOLD IN LOCALIZED GOLD PLATE AREA AND 3.81µm [.000150] THICK TIN-LEAD IN SOLDER AREA OVER 1.27µm [.000050] THICK NICKEL UNDERPLATE.
- 2. CAVITY CONFORMS TO FCC RULES AND REGULATIONS, PART 68, SUBPART F.
- 3. ALL DIMENSIONS SHOWN ARE MAXIMUM UNLESS OTHERWISE SPECIFIED AND ARE PRIOR TO SURFACE MOUNT PROCESSING.
- 4. SNAP-IN RETENTION FEATURE ACCOMMODATES 1.45-1.70 [.062±.005] THICK PRINTED CIRCUIT BOARD.



RECOMMENDED PRINTED CIRCUIT BOARD LAYOUT

DO NOT SCALE PRINT. UNLESS SPECIFIED DIMENSIONS IN mm [INCHES] TOLERANCES ON:		DR 9-28-95 D. STRAUSSER		8		555248-1	
2 PLC DEC ± -		CHK 10-17-95 N. JONES		NUMBER OF TERMINALS		PART NO	
3 PLC DEC ± -		APPD 10-23-95 J. TONEY		AMP Incorporated Harrisburg, PA 17105-3608			
ANGLES ± -		APPD 10-24-95 H. MCGRATH					
MATERIAL		PRODUCT SPEC 108-1163		NAME MODULAR JACK ASSEMBLY, 8 POSITION, LOW PROFILE, RIGHT ANGLE, SURFACE MOUNT, WITH PANEL STOPS			
FINISH		APPLICATION SPEC 114-6040		SIZE D	CAGE CODE 00779	DRAWING NO C=555248	
		WEIGHT -		SCALE 4:1	SHEET 1 OF 1		

THIS DRAWING IS A CONTROLLED DOCUMENT FOR AMP INCORPORATED. IT IS SUBJECT TO CHANGE AND THE CONTROLLING ENGINEERING ORGANIZATION SHOULD BE CONTACTED FOR THE LATEST REVISION.