



Chipsmall Limited consists of a professional team with an average of over 10 year of expertise in the distribution of electronic components. Based in Hongkong, we have already established firm and mutual-benefit business relationships with customers from,Europe,America and south Asia,supplying obsolete and hard-to-find components to meet their specific needs.

With the principle of “Quality Parts,Customers Priority,Honest Operation,and Considerate Service”,our business mainly focus on the distribution of electronic components. Line cards we deal with include Microchip,ALPS,ROHM,Xilinx,Pulse,ON,Everlight and Freescale. Main products comprise IC,Modules,Potentiometer,IC Socket,Relay,Connector.Our parts cover such applications as commercial,industrial, and automotives areas.

We are looking forward to setting up business relationship with you and hope to provide you with the best service and solution. Let us make a better world for our industry!



## Contact us

Tel: +86-755-8981 8866 Fax: +86-755-8427 6832

Email & Skype: info@chipsmall.com Web: www.chipsmall.com

Address: A1208, Overseas Decoration Building, #122 Zhenhua RD., Futian, Shenzhen, China

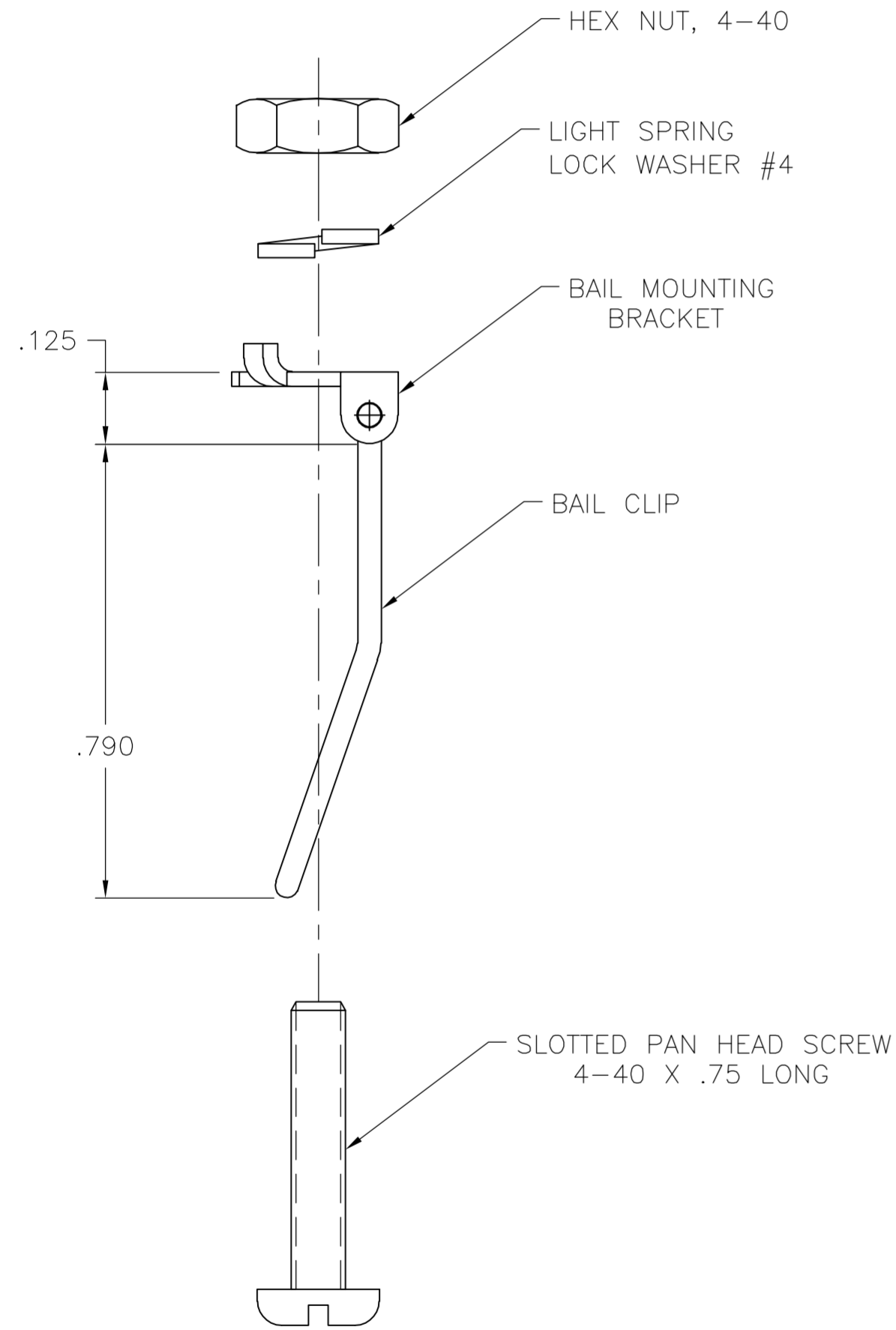


THIS DRAWING IS UNPUBLISHED. RELEASED FOR PUBLICATION  
 © COPYRIGHT BY TYCO ELECTRONICS CORPORATION. ALL RIGHTS RESERVED.

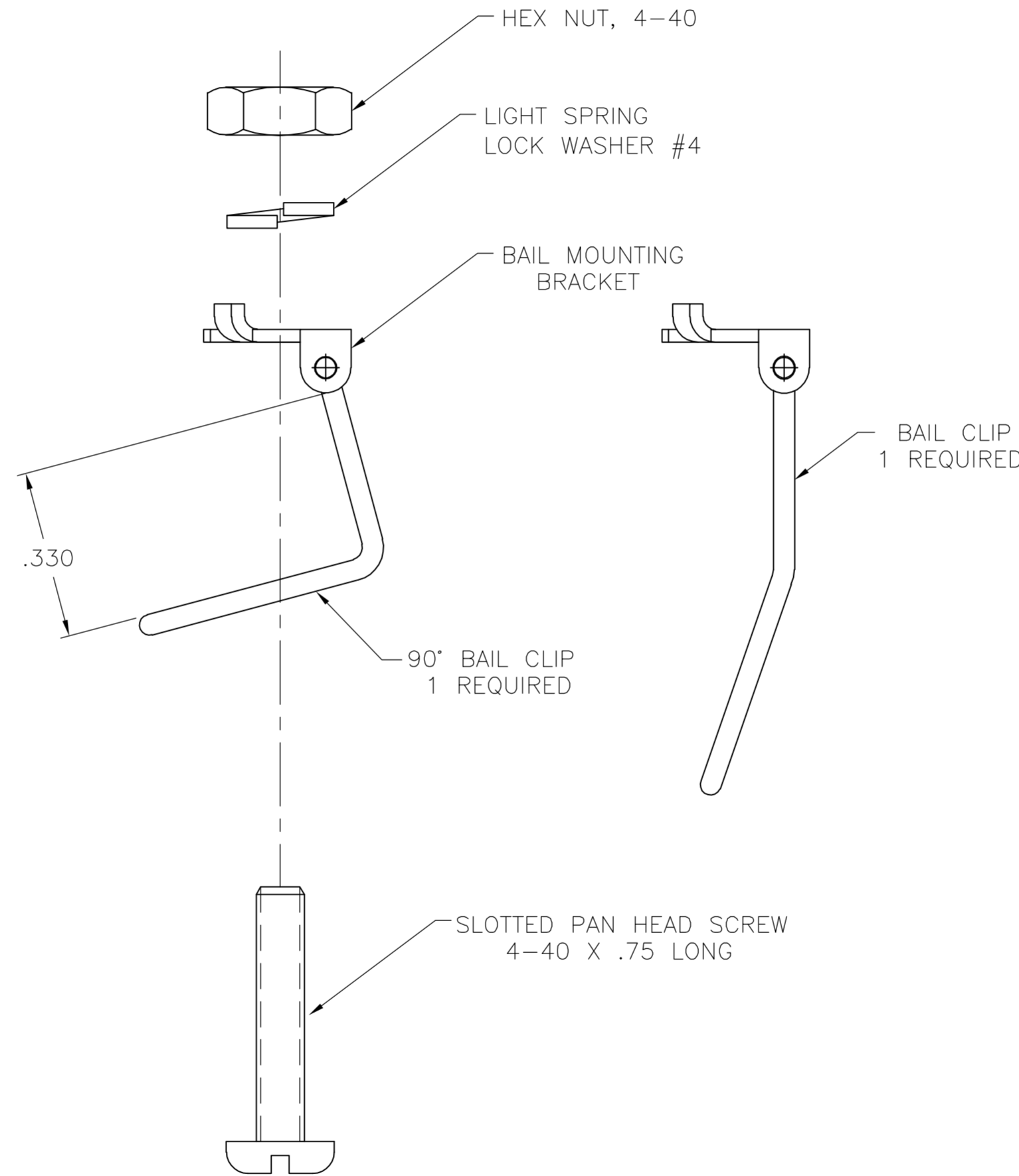
LOC	DIST	REVISIONS			
P	LTR	DESCRIPTION	DATE	DWN	APVD
GP	00	RELEASED PER EC 0513-0288-05	30SEP05	BM	WM

1. ALL DIMENSIONS SHOWN ARE FOR REFERENCE ONLY UNLESS OTHERWISE SPECIFIED.
2. 2 REQUIRED OF EACH COMPONENT PER KIT UNLESS OTHERWISE SPECIFIED.

3 MATERIAL:  
 LOCKWASHER: PASSIVATED STAINLESS STEEL  
 BAIL CLIPS, PAN HEAD SCREW & HEX NUT: PASSIVATED STAINLESS STEEL.  
 MOUNTING BRACKETS: ZINC PLATED STEEL.



KIT P/N 5552562-1  
VIEW A



KIT P/N 5552562-2  
VIEW B

B	5552562-2
A	5552562-1
VIEW	PART NUMBER

THIS DRAWING IS A CONTROLLED DOCUMENT.		DWN B. MCMASTER 30SEP05	Tyco Electronics Corporation Harrisburg, PA 17105-3608	
DIMENSIONS: INCHES		CHK W. MILLHIMES 30SEP05		
TOLERANCES UNLESS OTHERWISE SPECIFIED:		APVD W. MILLHIMES 30SEP05	NAME	
0 PLC ± - 1 PLC ± - 2 PLC ± - 3 PLC ± - 4 PLC ± - ANGLES ± -		PRODUCT SPEC	HARDWARE KIT, BAIL LOCK, VERTICAL MOUNTING, CHAMP	
MATERIAL		APPLICATION SPEC	SIZE A2	CAGE CODE 00779
FINISH		WEIGHT -	DRAWING NO C=5552562	RESTRICTED TO -
		CUSTOMER DRAWING		SCALE 4:1 SHEET 1 of 1 REV 0