



Chipsmall Limited consists of a professional team with an average of over 10 year of expertise in the distribution of electronic components. Based in Hongkong, we have already established firm and mutual-benefit business relationships with customers from,Europe,America and south Asia,supplying obsolete and hard-to-find components to meet their specific needs.

With the principle of “Quality Parts,Customers Priority,Honest Operation,and Considerate Service”,our business mainly focus on the distribution of electronic components. Line cards we deal with include Microchip,ALPS,ROHM,Xilinx,Pulse,ON,Everlight and Freescale. Main products comprise IC,Modules,Potentiometer,IC Socket,Relay,Connector.Our parts cover such applications as commercial,industrial, and automotives areas.

We are looking forward to setting up business relationship with you and hope to provide you with the best service and solution. Let us make a better world for our industry!



Contact us

Tel: +86-755-8981 8866 Fax: +86-755-8427 6832

Email & Skype: info@chipsmall.com Web: www.chipsmall.com

Address: A1208, Overseas Decoration Building, #122 Zhenhua RD., Futian, Shenzhen, China



THIS DRAWING IS UNPUBLISHED. RELEASED FOR PUBLICATION
 © COPYRIGHT BY TYCO ELECTRONICS CORPORATION. ALL RIGHTS RESERVED.

LOC	DIST	REVISIONS					
GP	00	P	LTR	DESCRIPTION	DATE	DWN	APVD
		0		RELEASED PER EC 0513-0288-05	03OCT05	BM	WM

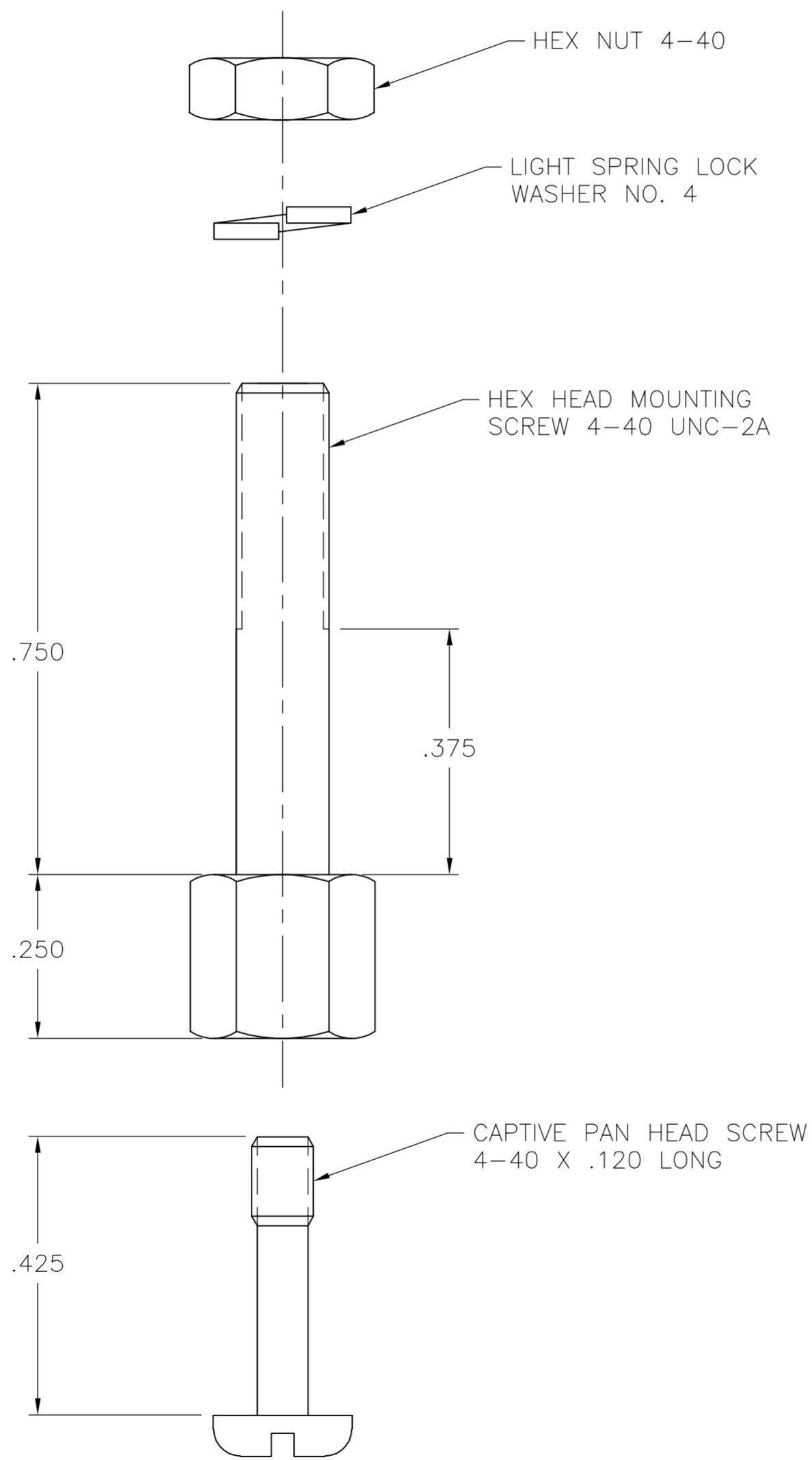
1. ALL DIMENSIONS SHOWN ARE FOR REFERENCE ONLY UNLESS OTHERWISE SPECIFIED.

2. 2 REQUIRED OF EACH COMPONENT PER KIT.



MATERIAL:

PAN HEAD SCREW: ZINC PLATED STEEL.
 LOCKWASHERS: PASSIVATED STAINLESS STEEL.
 HEX HEAD SCREW: BRASS WITH CHROME PLATE.
 HEX NUT: PASSIVATED STAINLESS STEEL.



AS SHOWN	5552563-1
DESCRIPTION	PART NUMBER

THIS DRAWING IS A CONTROLLED DOCUMENT.		DWN	B. MCMASTER	03OCT05	 Tyco Electronics Corporation Harrisburg, PA 17105-3608
DIMENSIONS: INCHES		CHK	W. MILLHIMES	03OCT05	
TOLERANCES UNLESS OTHERWISE SPECIFIED:		APVD	W. MILLHIMES	03OCT05	
0 PLC ± - 1 PLC ± - 2 PLC ± - 3 PLC ± - 4 PLC ± - ANGLES ± - FINISH		NAME	HARDWARE KIT, SCREW LOCK, VERTICAL MOUNTING, CHAMP		
MATERIAL		PRODUCT SPEC	APPLICATION SPEC		RESTRICTED TO
		WEIGHT	-		SCALE
		CUSTOMER DRAWING		SCALE	5:1
		SIZE	A2	CAGE CODE	00779
		DRAWING NO	C=5552563		SHEET
				1	of 1
				REV	0