



Chipsmall Limited consists of a professional team with an average of over 10 year of expertise in the distribution of electronic components. Based in Hongkong, we have already established firm and mutual-benefit business relationships with customers from,Europe,America and south Asia,supplying obsolete and hard-to-find components to meet their specific needs.

With the principle of "Quality Parts,Customers Priority,Honest Operation,and Considerate Service",our business mainly focus on the distribution of electronic components. Line cards we deal with include Microchip,ALPS,ROHM,Xilinx,Pulse,ON,Everlight and Freescale. Main products comprise IC,Modules,Potentiometer,IC Socket,Relay,Connector.Our parts cover such applications as commercial,industrial, and automotives areas.

We are looking forward to setting up business relationship with you and hope to provide you with the best service and solution. Let us make a better world for our industry!



Contact us

Tel: +86-755-8981 8866 Fax: +86-755-8427 6832

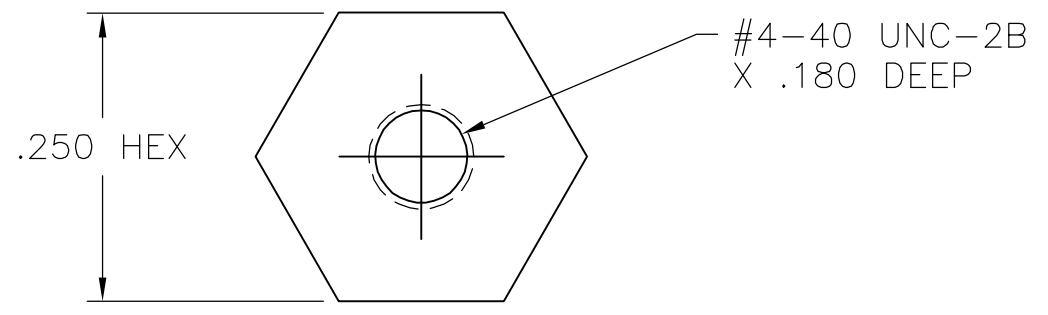
Email & Skype: info@chipsmall.com Web: www.chipsmall.com

Address: A1208, Overseas Decoration Building, #122 Zhenhua RD., Futian, Shenzhen, China



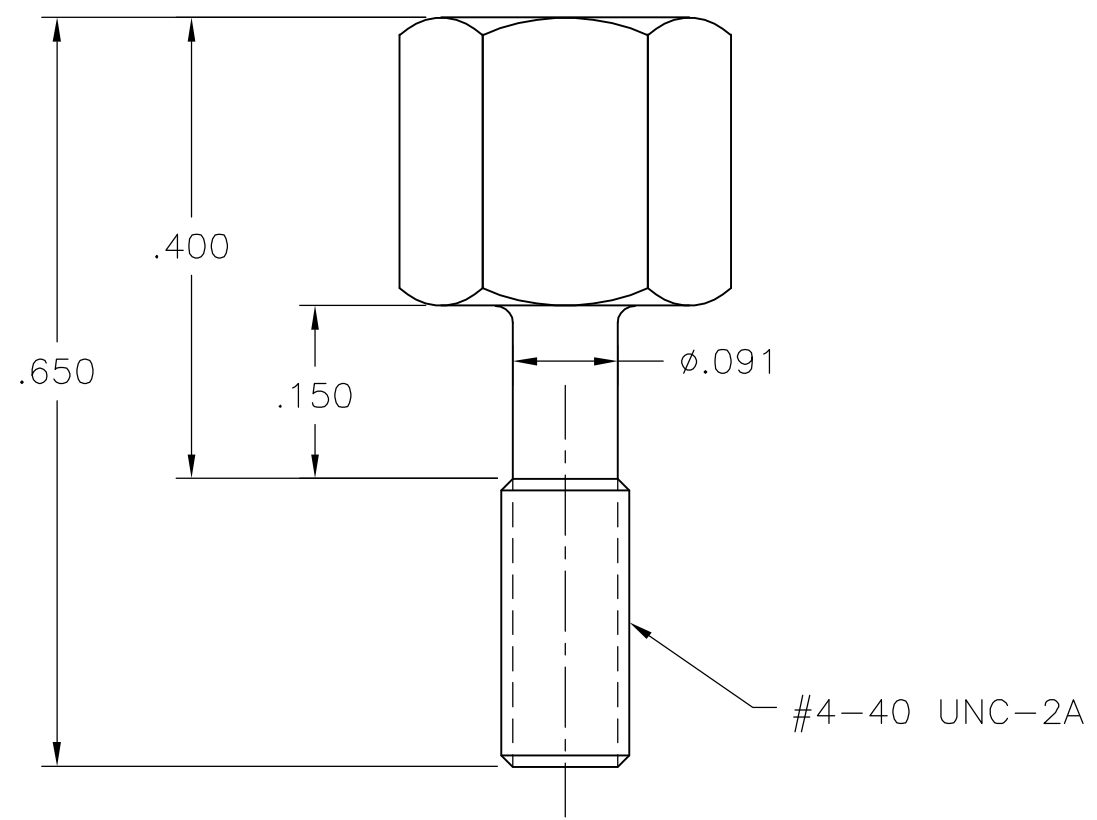
DWG NO
5552657

THIS DRAWING IS A CONTROLLED DOCUMENT.



1 MATERIAL: ZINC PLATE WITH YELLOW TRIVALENT CHROMATE OVER STEEL.

2. ALL DIMENSIONS SHOWN ARE FOR REFERENCE ONLY UNLESS OTHERWISE SPECIFIED.



THIS INFORMATION IS CONFIDENTIAL AND PROPRIETARY TO TYCO ELECTRONICS CORPORATION AND ITS WORLDWIDE SUBSIDIARIES AND AFFILIATES. IT MAY NOT BE DISCLOSED TO ANYONE, OTHER THAN TYCO ELECTRONICS PERSONNEL, WITHOUT WRITTEN AUTHORIZATION FROM TYCO ELECTRONICS CORPORATION, HARRISBURG, PENNSYLVANIA USA.

LOC
GP
DIST
00

P	LTR	REVISION RECORD	DATE	DWN	APVD

DIMENSIONS: INCHES		TOLERANCES UNLESS OTHERWISE SPECIFIED:	
		0 PLC	± -
		1 PLC	± -
		2 PLC	± .02
		3 PLC	± .005
		4 PLC	± -
ANGLES ±		-	
SURFACE TEXTURE			

	AS SHOWN, PLATED	5552657-1
FINISH	DESCRIPTION	PART NUMBER
DWN	25JAN07	MATERIAL
B. MCMASTER		
CHK	25JAN07	HEAT TREAT
W. MILLHIMES		-
APVD	25JAN07	
W. MILLHIMES		Tyco Electronics Corporation Harrisburg, Pa 17105-3608
NAME SCREW, MTG, HEX HD (FOR .062 BACK PANEL MTG)		
SCALE	SIZE	DRAWING NO
4:1	A3	5552657
SHEET		REV
1 OF 1		0