



Chipsmall Limited consists of a professional team with an average of over 10 year of expertise in the distribution of electronic components. Based in Hongkong, we have already established firm and mutual-benefit business relationships with customers from,Europe,America and south Asia,supplying obsolete and hard-to-find components to meet their specific needs.

With the principle of “Quality Parts,Customers Priority,Honest Operation,and Considerate Service”,our business mainly focus on the distribution of electronic components. Line cards we deal with include Microchip,ALPS,ROHM,Xilinx,Pulse,ON,Everlight and Freescale. Main products comprise IC,Modules,Potentiometer,IC Socket,Relay,Connector.Our parts cover such applications as commercial,industrial, and automotives areas.

We are looking forward to setting up business relationship with you and hope to provide you with the best service and solution. Let us make a better world for our industry!



Contact us

Tel: +86-755-8981 8866 Fax: +86-755-8427 6832

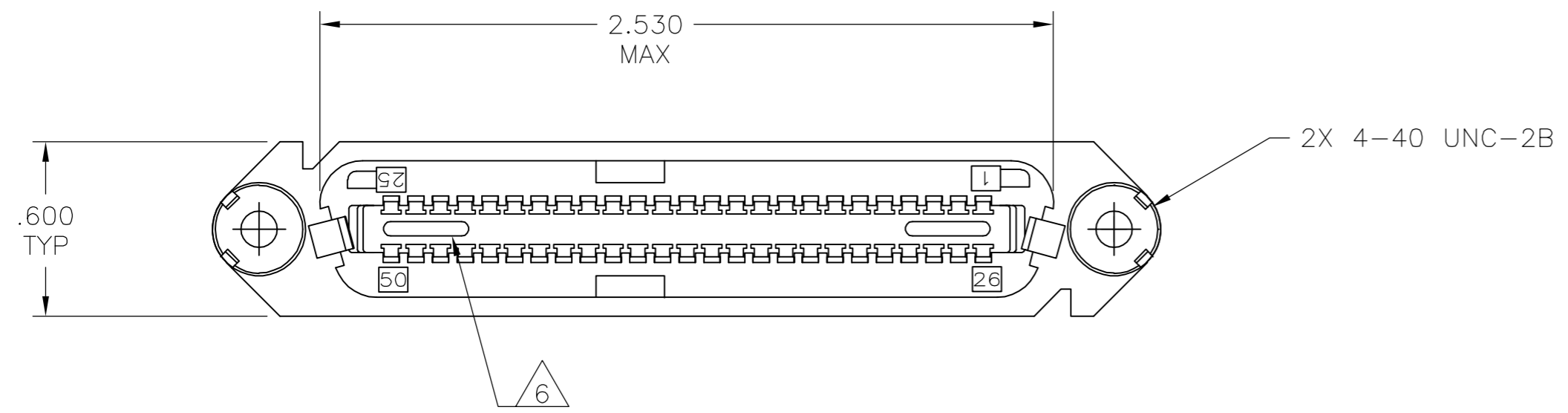
Email & Skype: info@chipsmall.com Web: www.chipsmall.com

Address: A1208, Overseas Decoration Building, #122 Zhenhua RD., Futian, Shenzhen, China

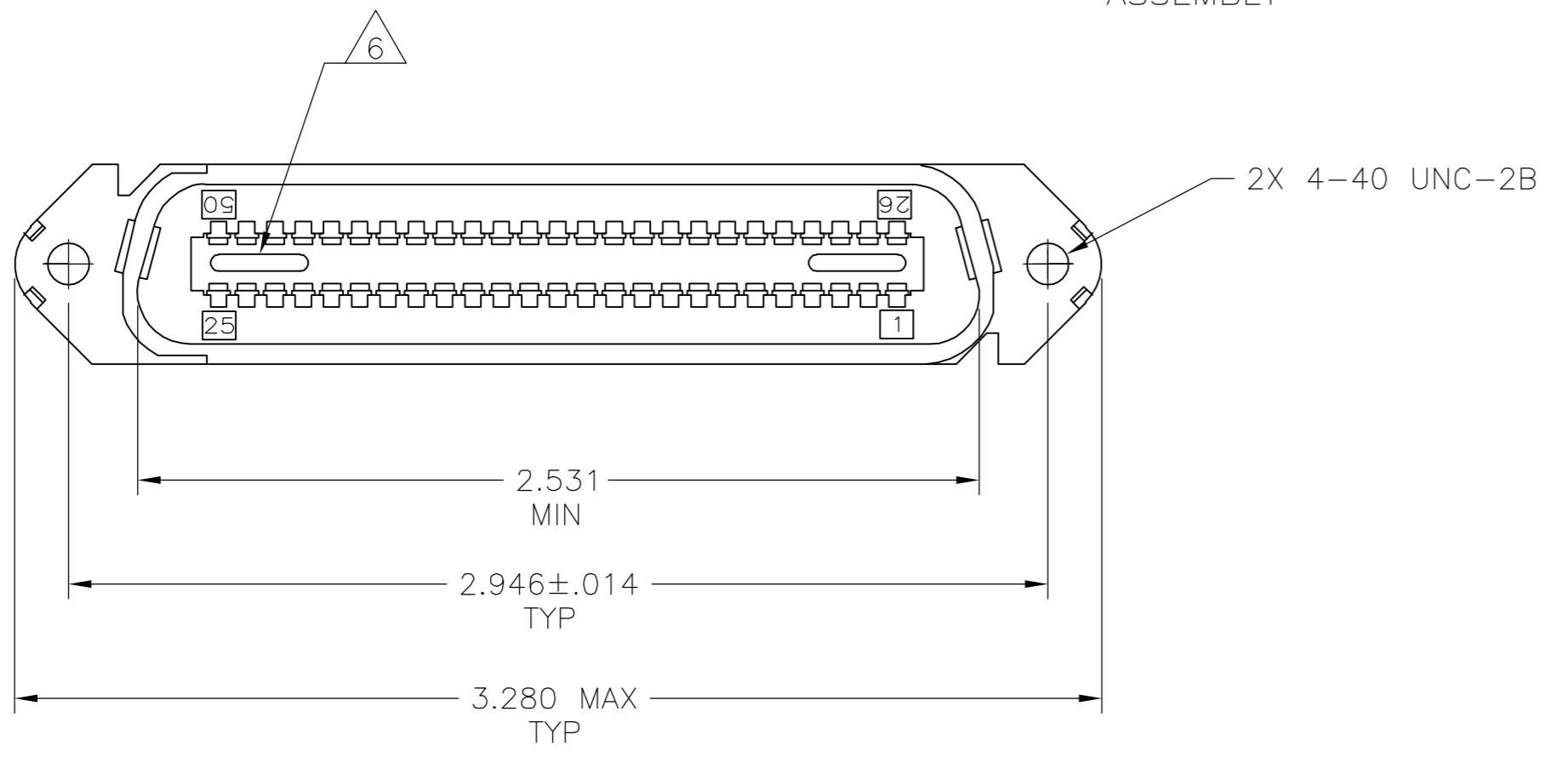
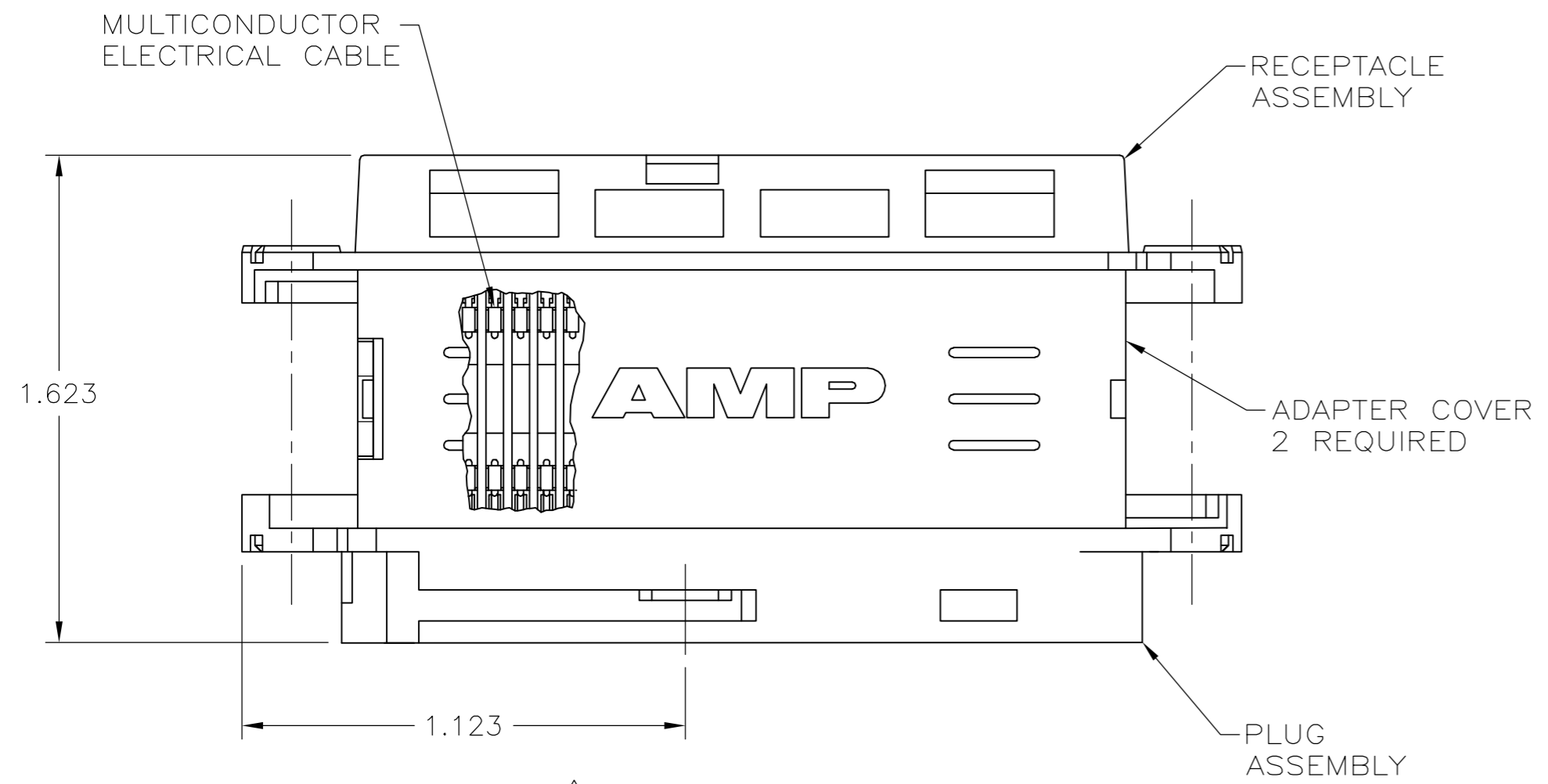


THIS DRAWING IS UNPUBLISHED. RELEASED FOR PUBLICATION JAN. 8, 1982.
 © COPYRIGHT BY TYCO ELECTRONICS CORPORATION. ALL RIGHTS RESERVED.

LOC	DIST	REVISIONS					
GP	00	P	LTR	DESCRIPTION	DATE	DWN	APVD
		A		RELEASED	05MAR07	BM	WM



1. LIKE NUMBERED CONTACTS ON BOTH CONNECTORS ARE ELECTRICALLY COMMON.
2. THE CONTACT SURFACES OF THE TERMINALS ARE COATED WITH LUBRICANT.
3. MATERIAL: HOUSING & COVERS – THERMOPLASTIC (BLACK) TERMINALS – HIGH STRENGTH COPPER ALLOY PLATED WITH EITHER 30μ MIN GOLD OR GOLD FLASH OVER 30μ MIN PALLADIUM NICKEL ON CONTACT MATING SURFACE, OVER 50μ MIN NICKEL PLATING.
4. ALL DIMENSIONS SHOWN ARE FOR REFERENCE ONLY UNLESS OTHERWISE SPECIFIED.
5. CENTER-TO-CENTER SPACING OF TERMINALS IS .085.
6. CORING MAY OR MAY NOT APPEAR AND IS AT THE DISCRETION OF TYCO ELECTRONICS.



THIS DRAWING IS A CONTROLLED DOCUMENT.		DWN B. MCMASTER 05MAR07	AS SHOWN		5552705-1	
DIMENSIONS: INCHES		CHK W. MILLHIMES 05MAR07	DESCRIPTION		PART NUMBER	
TOLERANCES UNLESS OTHERWISE SPECIFIED:		APVD W. MILLHIMES 05MAR07	NAME		Tyco Electronics Corporation Harrisburg, PA 17105-3608	
0 PLC ± -		PRODUCT SPEC	ASSEMBLY, WIRE ADAPTER, 50 POSITION (CHAMP-LOK, PLUG/RECEPTACLE)		RESTRICTED TO	
1 PLC ± -		APPLICATION SPEC	SIZE		CAGE CODE	
2 PLC ± -		WEIGHT	A2		00779	
3 PLC ± -		CUSTOMER DRAWING	DRAWING NO		C=5552705	
4 PLC ± -		SCALE	2:1		SHEET 1 of 1	
ANGLES ± -		REV	A			
FINISH						

5552705