



Chipsmall Limited consists of a professional team with an average of over 10 year of expertise in the distribution of electronic components. Based in Hongkong, we have already established firm and mutual-benefit business relationships with customers from,Europe,America and south Asia,supplying obsolete and hard-to-find components to meet their specific needs.

With the principle of “Quality Parts,Customers Priority,Honest Operation,and Considerate Service”,our business mainly focus on the distribution of electronic components. Line cards we deal with include Microchip,ALPS,ROHM,Xilinx,Pulse,ON,Everlight and Freescale. Main products comprise IC,Modules,Potentiometer,IC Socket,Relay,Connector.Our parts cover such applications as commercial,industrial, and automotives areas.

We are looking forward to setting up business relationship with you and hope to provide you with the best service and solution. Let us make a better world for our industry!



Contact us

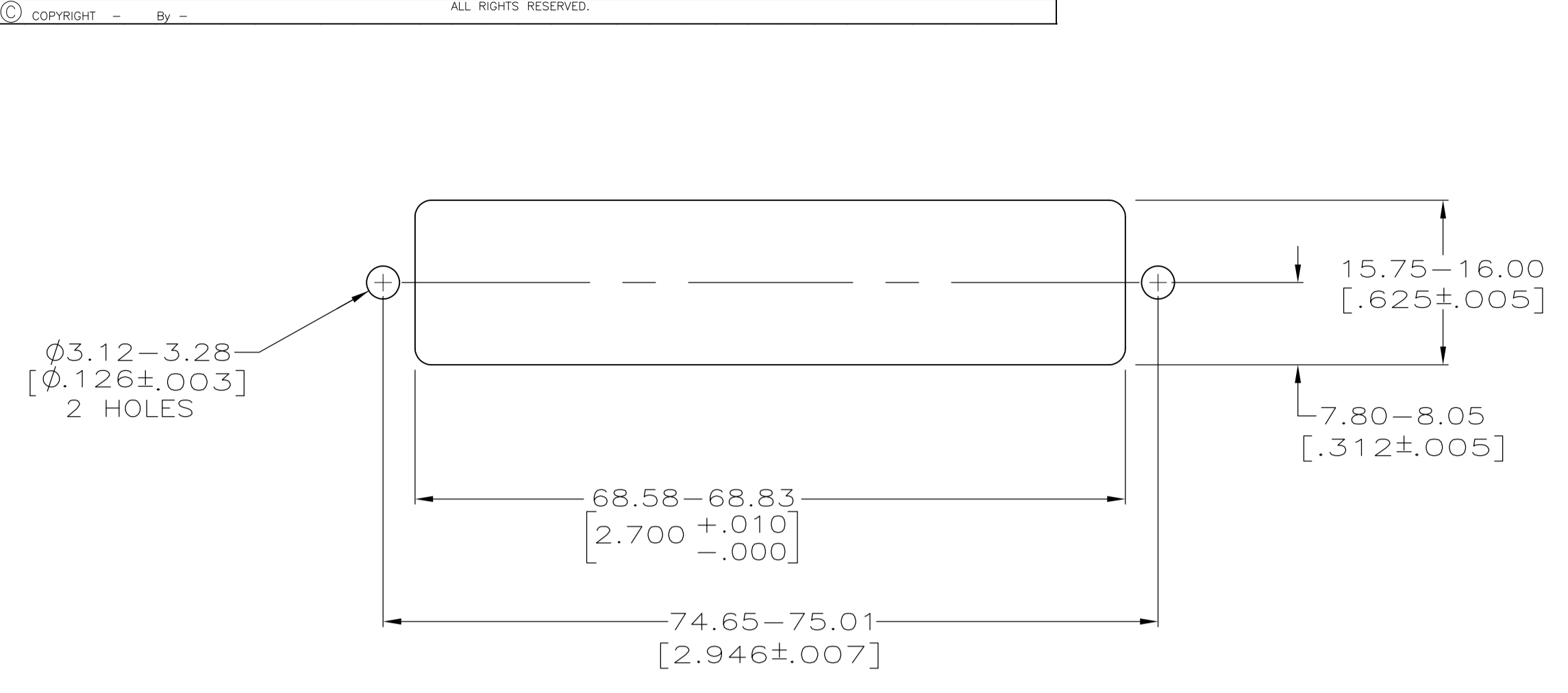
Tel: +86-755-8981 8866 Fax: +86-755-8427 6832

Email & Skype: info@chipsmall.com Web: www.chipsmall.com

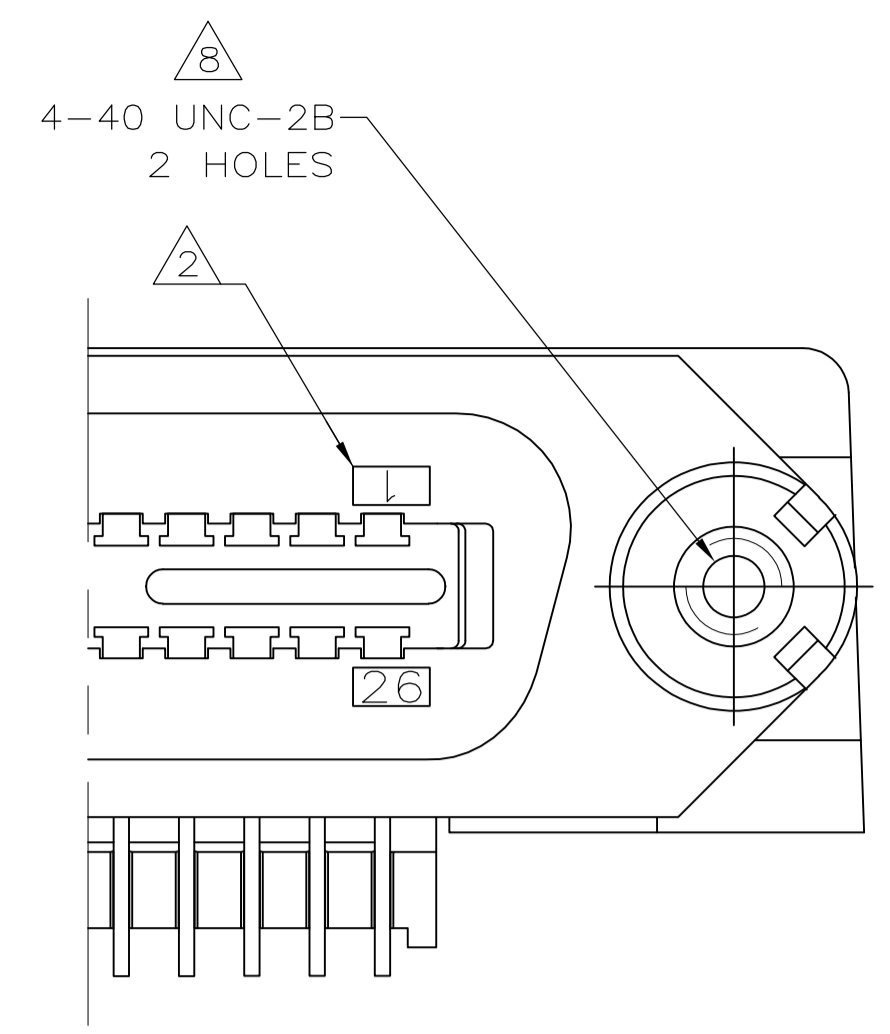
Address: A1208, Overseas Decoration Building, #122 Zhenhua RD., Futian, Shenzhen, China



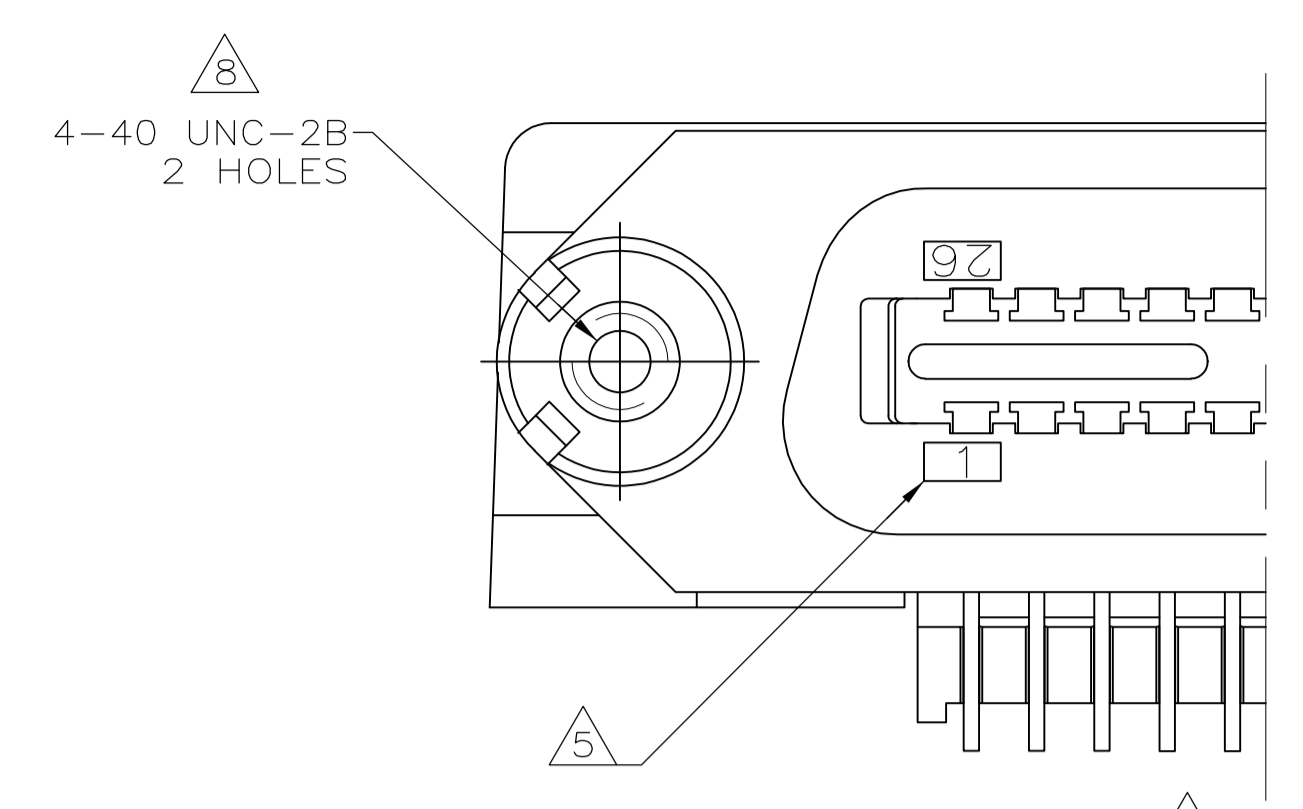
LOC	DIST	REVISIONS			
GP	00	REV	DESCRIPTION	DATE	BY
E1	REVISED PER ECO-11-005033			23MAR11	RK HMR



SUGGESTED REAR PANEL MOUNTING CUTOUT DIMENSIONS SCALE 2:1

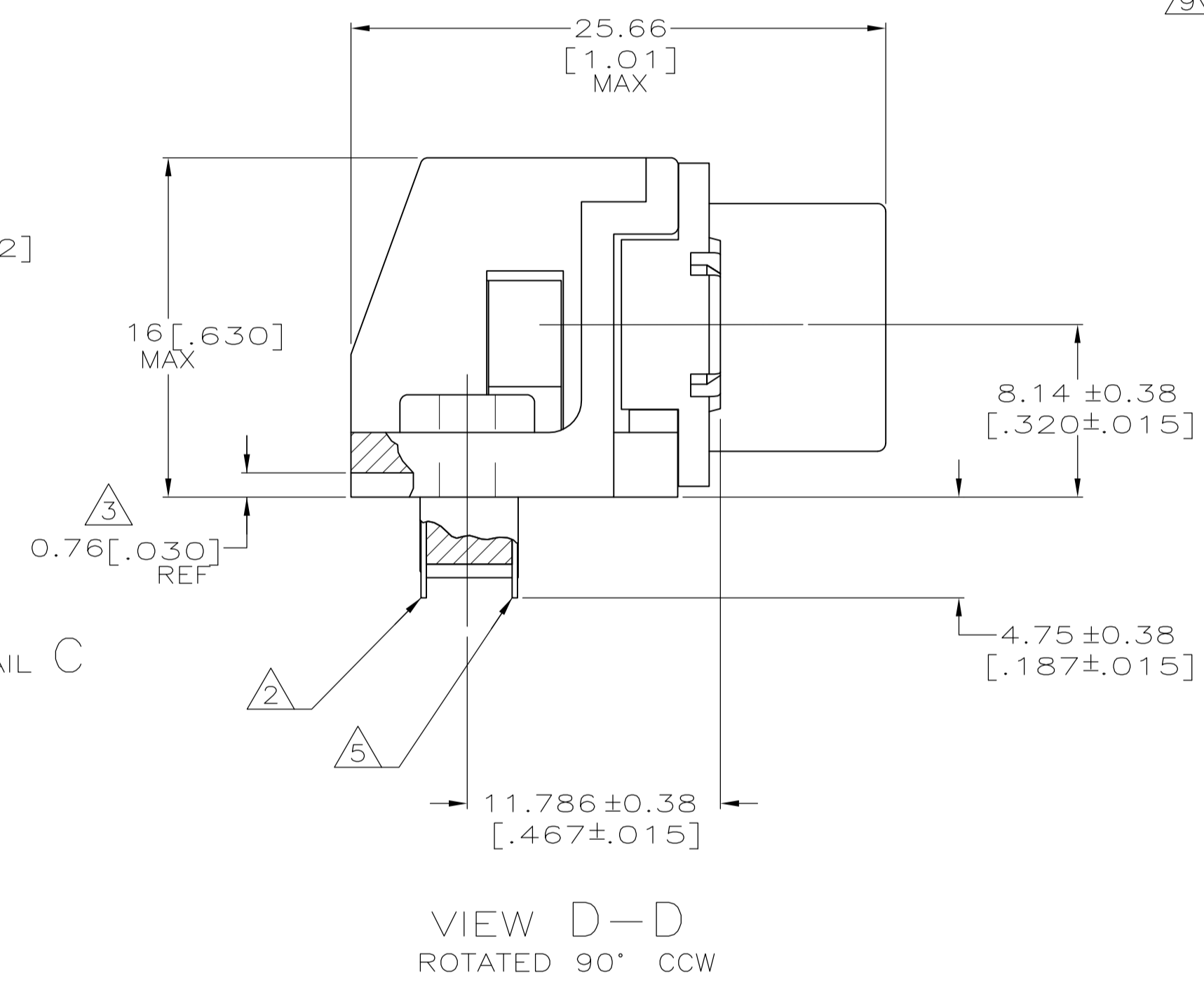
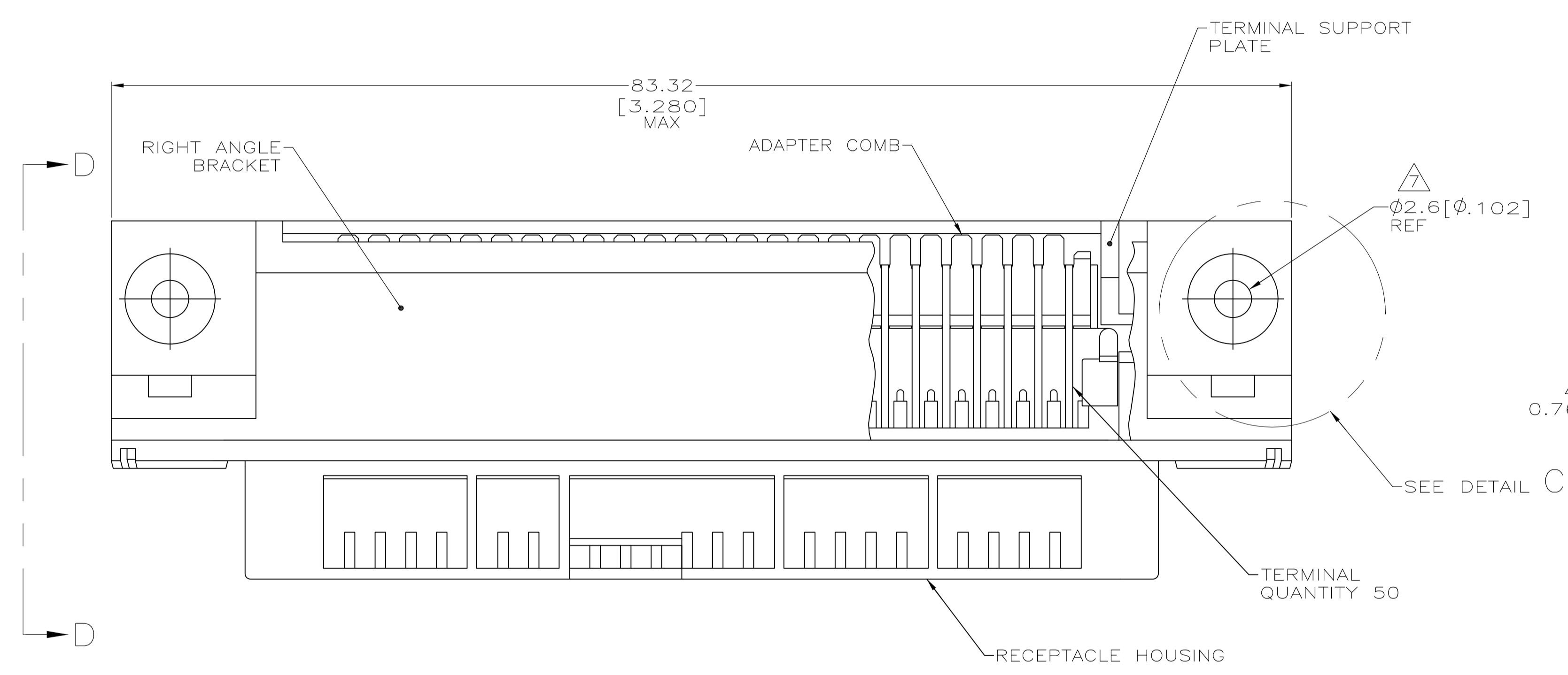


DETAIL A STANDARD ORIENTATION

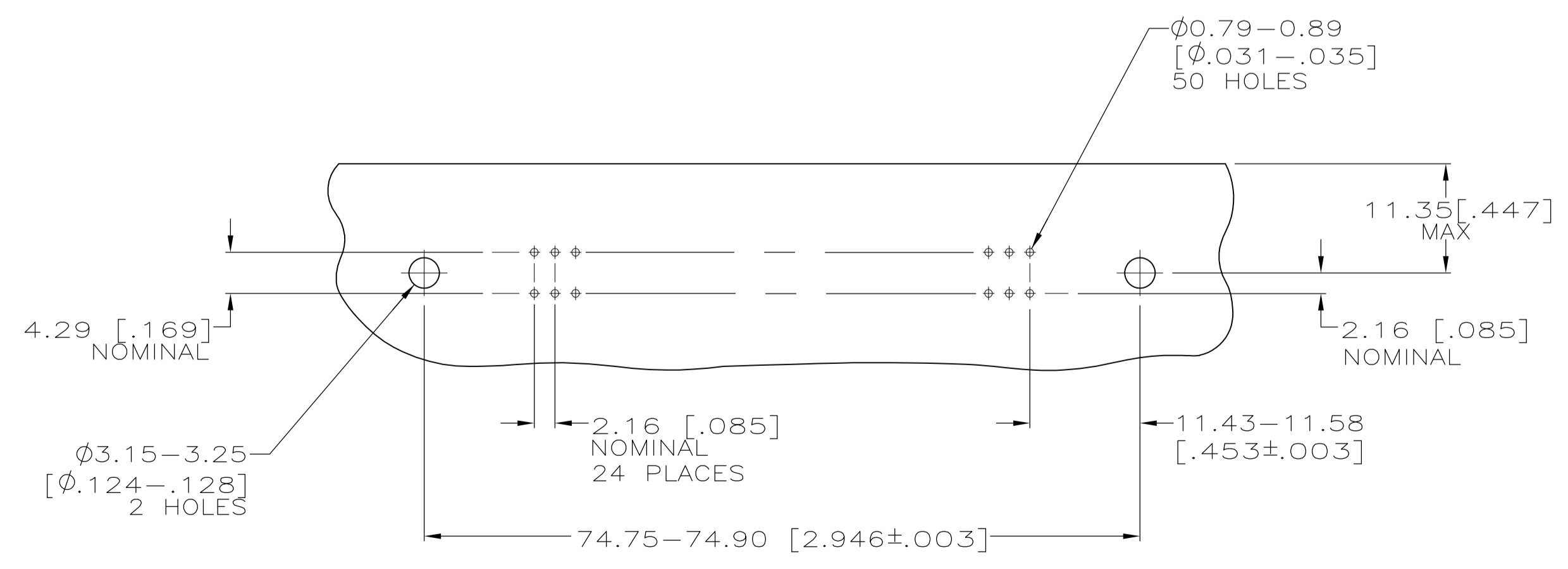


DETAIL B REVERSE ORIENTATION

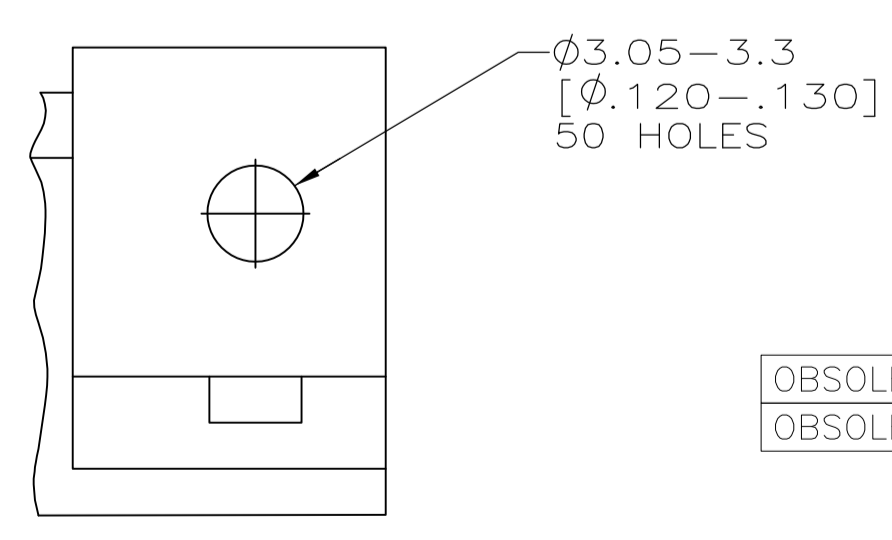
- △ MATERIAL: HOUSING, BRACKET, PLATE & COMB - THERMOPLASTIC, BLACK, 94V-0 RATED. TERMINALS- HIGH STRENGTH COPPER ALLOY PLATED WITH EITHER 0.76µm [.000030] MIN GOLD PLATE OR GOLD FLASH OVER PALLADIUM NICKEL PLATE, 0.76µm [.000030] MIN TOTAL ON MATING SURFACE. 3.05µm [.000120] MIN TIN ON TAILS. ALL OVER 1.27µm [.000050] MIN NICKEL UNDERPLATE OVER ENTIRE TERMINAL. THREADED INSERT- #4-40 UNC, BRIGHT ZINC PLATED BRASS.
- △ TERMINAL 1 IS LOCATED IN THIS ROW FOR STANDARD ORIENTATION, 5552725-1, -2, -5 & -7.
- △ TERMINAL SUPPORT PLATE CLEARANCE FOR TERMINAL STRAIN RELIEF AND FLUX REMOVAL.
- △ MAXIMUM PANEL THICKNESS: 1.57[.062].
- △ TERMINAL 1 IS LOCATED IN THIS ROW FOR REVERSE ORIENTATION, 5552725-3 AND -6 ONLY.
- △ DETAILS "A" AND "B" ARE VIEWED FROM MATING SIDE OF RECEPTACLE ASSEMBLY.
- △ FOR USE WITH A NO.4 BT TYPE SELF-TAPPING SCREW.
- △ 5552725-1,-2 AND -3 ARE TAPPED 4-40; -5,-6 & -7 USE 4-40 THREADED INSERTS.
- △ INSERT SHALL WITHSTAND 8 INCH-POUNDS OF TORQUE WITHOUT CRACKING HOUSING OR LOOSENING.



VIEW D-D ROTATED 90° CCW



SUGGESTED PRINTED CIRCUIT BOARD MOUNTING DIMENSIONS SCALE 2:1



DETAIL C (THRU-BOLT)

OBsolete	THREAD TYPE	TYPE OF MOUNTING	DESCRIPTION	PART NUMBER
△△	THREADED INSERT	THRU-BOLT(SEE DETAIL C)	SEE DETAIL A △	5552725-7
△△	THREADED INSERT	SELF-TAPPING	SEE DETAIL B △	5552725-6
△△	THREADED INSERT	SELF-TAPPING	SEE DETAIL A △	5552725-5
	TAPPED HOLE	SELF-TAPPING	SEE DETAIL B △	5552725-3
	TAPPED HOLE	THRU-BOLT(SEE DETAIL C)	SEE DETAIL A △	5552725-2
	TAPPED HOLE	SELF-TAPPING	SEE DETAIL A △	5552725-1

THIS DRAWING IS A CONTROLLED DOCUMENT.		DL DRUMMOND 18 AUG 97		TE Connectivity	
DIMENSIONS: mm [INCHES]		TOLERANCES UNLESS OTHERWISE SPECIFIED:		RECEPTACLE ASSEMBLY, 50 POSITION, RIGHT ANGLE, SELF TAPPING, CHAMP®	
0 PLC	± -	0.125	± -	SIZE	CAGE CODE DRAWING NO
1 PLC	± -	0.250	± -	A1	00779 C=5552725
2 PLC	± -	0.500	± -	WEIGHT	—
3 PLC	± 0.13[.005]	1.000	± -	CUSTOMER DRAWING	SCALE 4:1 SHEET 1 OF 1 REV E1
4 PLC	± -	2.000	± -		
ANGLES	± -				