



Chipsmall Limited consists of a professional team with an average of over 10 year of expertise in the distribution of electronic components. Based in Hongkong, we have already established firm and mutual-benefit business relationships with customers from,Europe,America and south Asia,supplying obsolete and hard-to-find components to meet their specific needs.

With the principle of "Quality Parts,Customers Priority,Honest Operation,and Considerate Service",our business mainly focus on the distribution of electronic components. Line cards we deal with include Microchip,ALPS,ROHM,Xilinx,Pulse,ON,Everlight and Freescale. Main products comprise IC,Modules,Potentiometer,IC Socket,Relay,Connector.Our parts cover such applications as commercial,industrial, and automotives areas.

We are looking forward to setting up business relationship with you and hope to provide you with the best service and solution. Let us make a better world for our industry!



Contact us

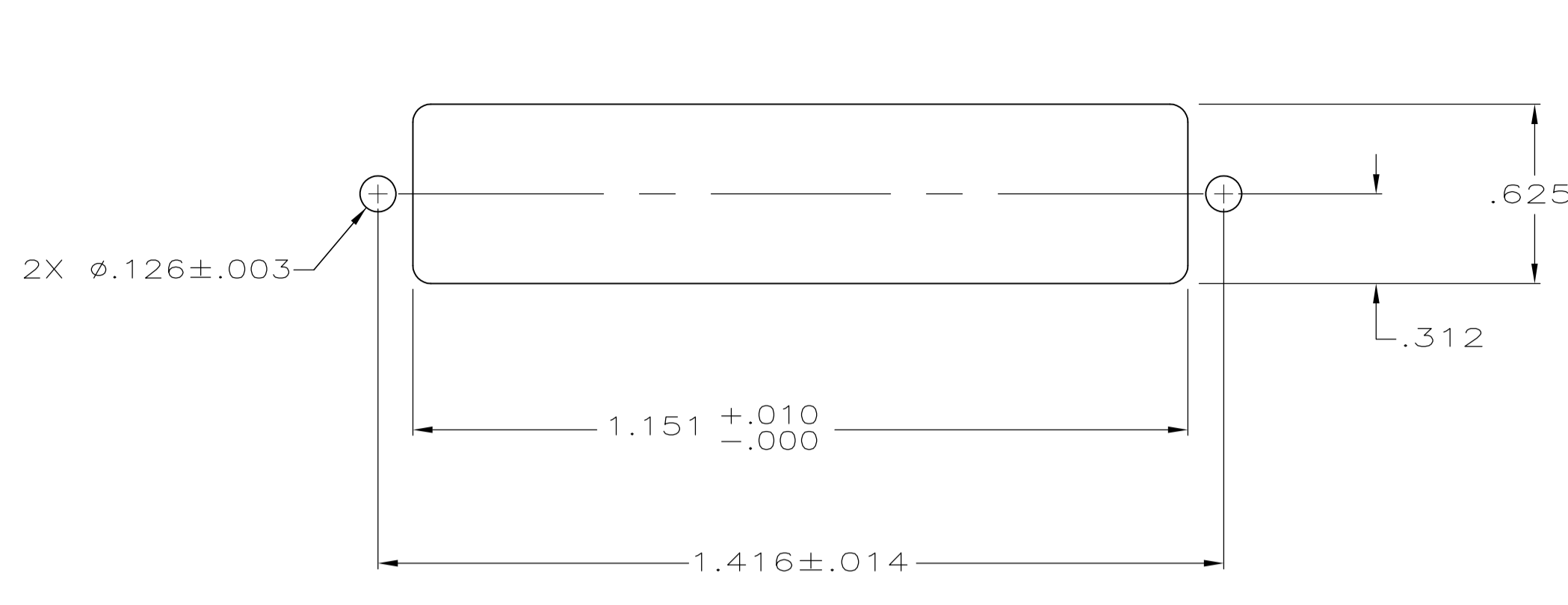
Tel: +86-755-8981 8866 Fax: +86-755-8427 6832

Email & Skype: info@chipsmall.com Web: www.chipsmall.com

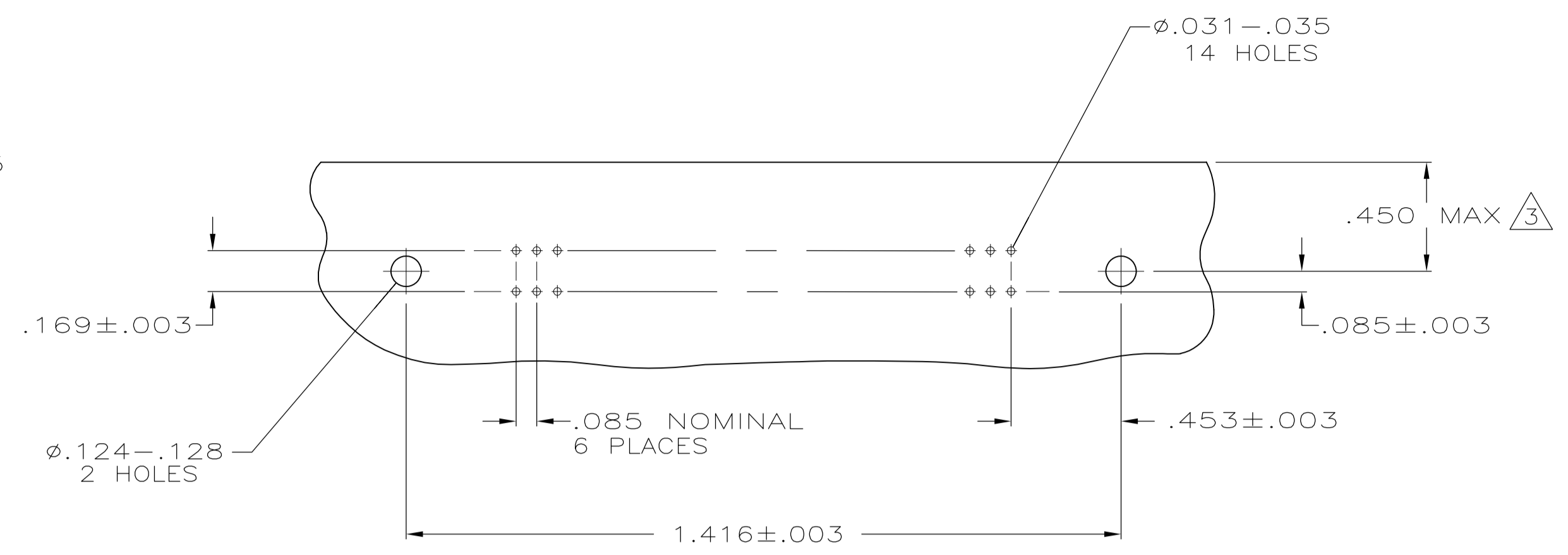
Address: A1208, Overseas Decoration Building, #122 Zhenhua RD., Futian, Shenzhen, China



LOC		DIST		REVISIONS			
GP	00	REV	DATE	BY	CHK	APP'D	
B		REVISED PER ECO-08-007327	08APR08	BM	WM		
B1		REVISED PER ECO-09-024927	07NOV09	KK	AEG		

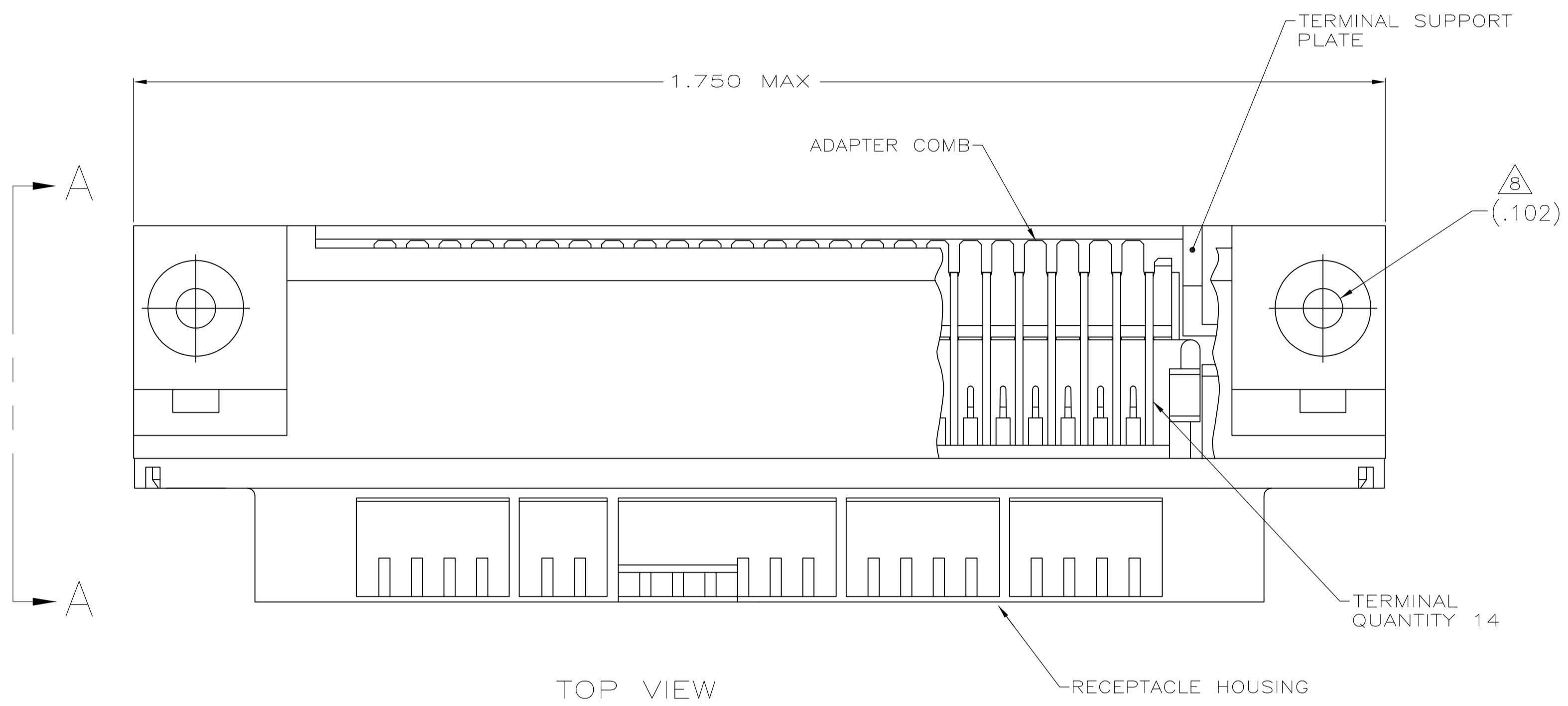


SUGGESTED REAR PANEL MOUNTING CUTOUT DIMENSIONS
 SCALE 2:1

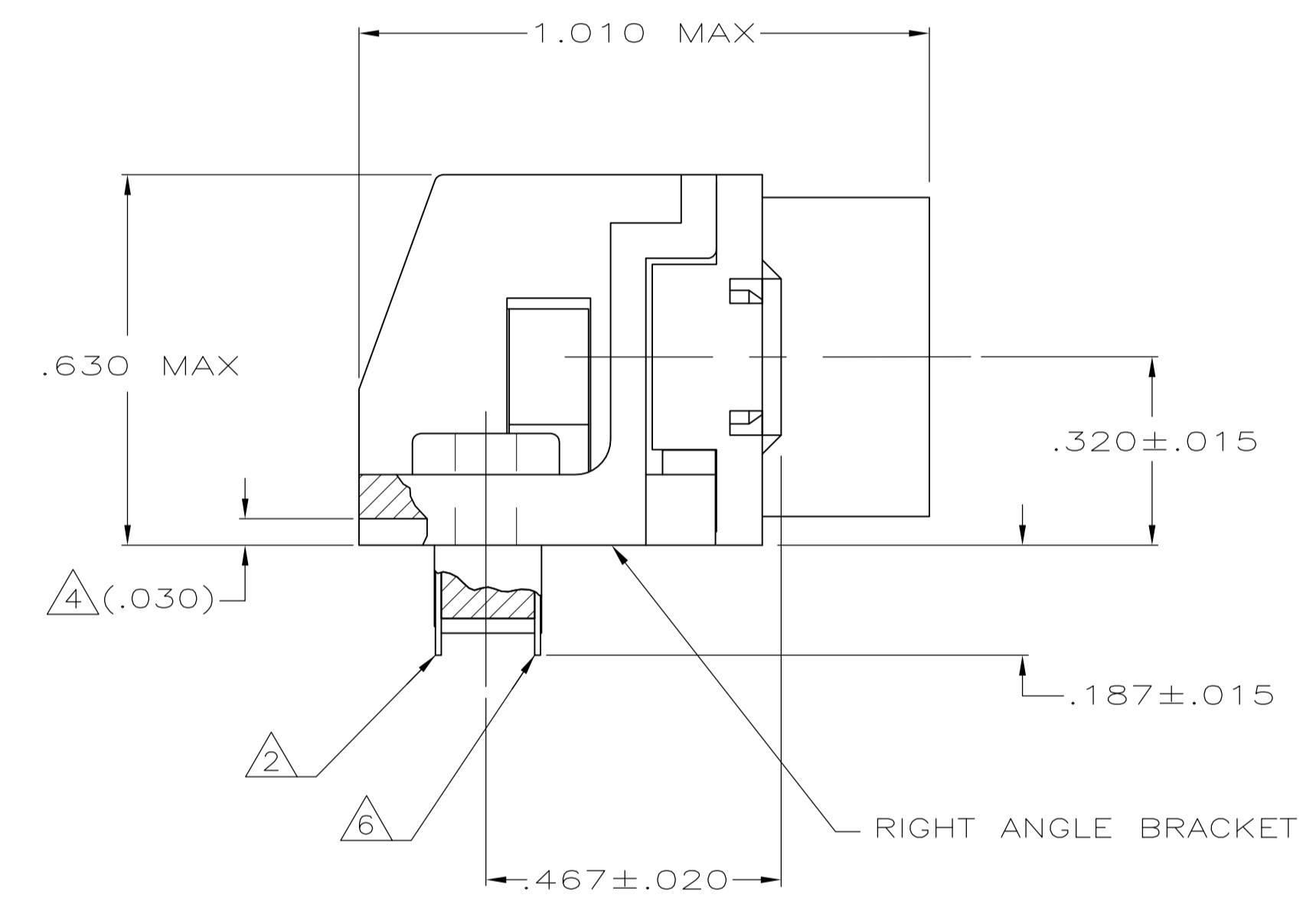


SUGGESTED PRINTED CIRCUIT BOARD MOUNTING DIMENSIONS
 SCALE 2:1

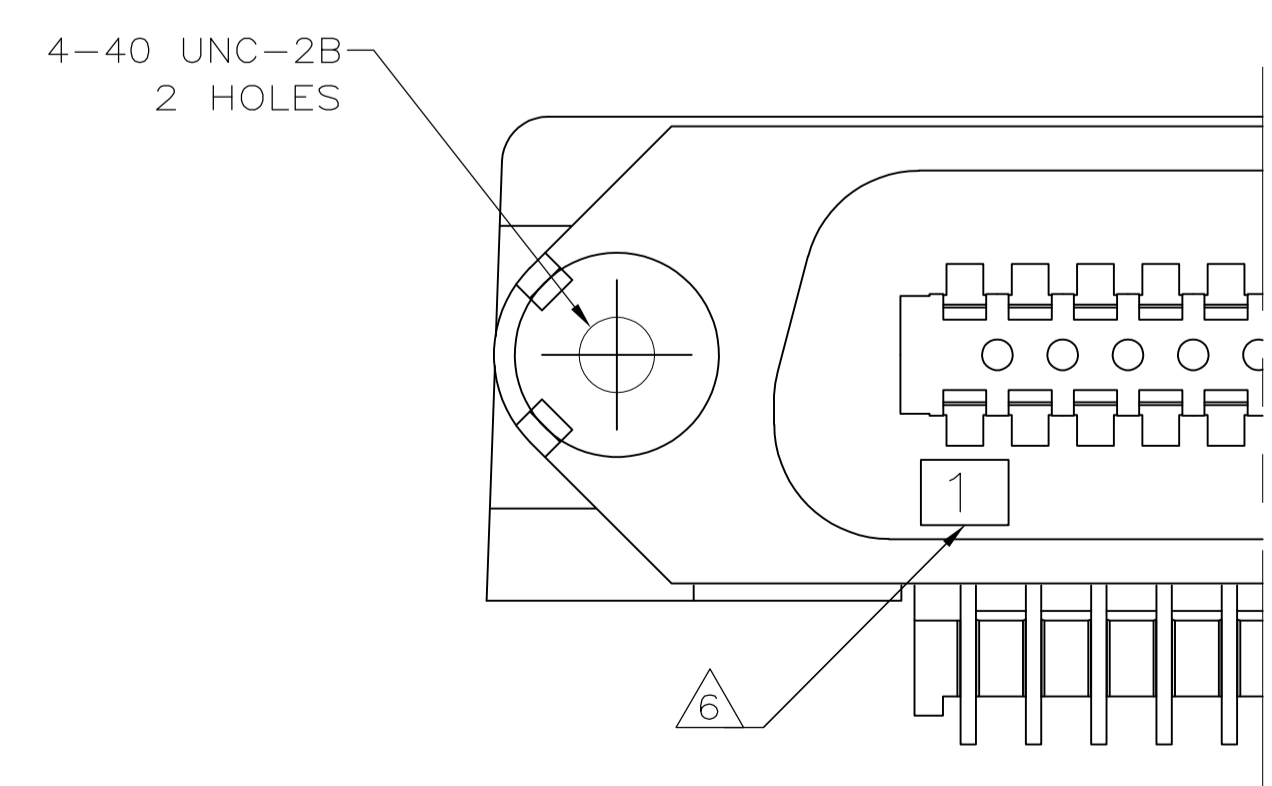
- 1 MATERIAL: HOUSING, BRACKET, PLATE & COMB - THERMOPLASTIC, BLACK, 94V-0 RATED. TERMINALS - HIGH STRENGTH COPPER ALLOY PLATED WITH EITHER .000030 MIN GOLD PLATE OR GOLD FLASH OVER PALLADIUM NICKEL PLATE, .000030 MIN TOTAL ON MATING SURFACE. .000120 MIN TIN PLATE ON TAILS. ALL OVER .000050 MIN NICKEL UNDERPLATE OVER ENTIRE TERMINAL.
- 2 TERMINAL 1 IS LOCATED IN THIS ROW FOR STANDARD ORIENTATION, 5552738-1 ONLY.
- 3 MAXIMUM DIMENSION FOR REAR PANEL MOUNTING.
- 4 TERMINAL SUPPORT PLATE CLEARANCE FOR TERMINAL STRAIN RELIEF AND FLUX REMOVAL.
- 5 MAXIMUM PANEL THICKNESS: .062.
- 6 TERMINAL 1 IS LOCATED IN THIS ROW FOR REVERSE ORIENTATION, 5552738-2 ONLY.
- 7 DETAILS "A" AND "B" ARE VIEWED FROM MATING SIDE OF RECEPTACLE ASSEMBLY.
- 8 FOR USE WITH A NO.4 BT TYPE SELF-TAPPING SCREW.
- 9 OBSOLETE PARTS: OBSOLETE CIS STREAMLINING PER D.RENAUD/D.SINISI



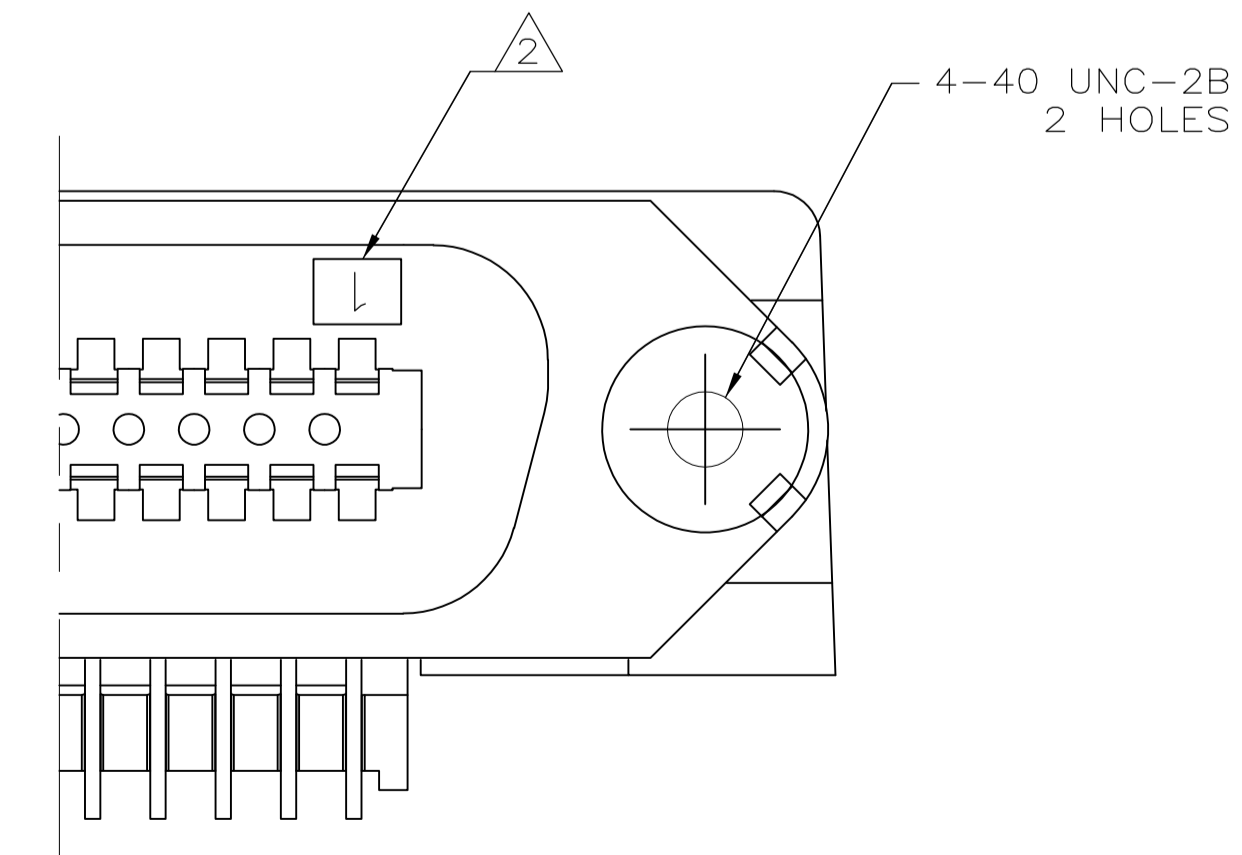
TOP VIEW



SIDE VIEW A-A



DETAIL B
 REVERSE ORIENTATION



DETAIL A
 STANDARD ORIENTATION

TYPE OF MOUNTING	DESCRIPTION	PART NUMBER
SELF TAPPING	SEE DETAIL B	5552738-2
SELF TAPPING	SEE DETAIL A	5552738-1

THIS DRAWING IS A CONTROLLED DOCUMENT.		DWG NO. MCMASTER 15AUG05	Tyco Electronics Corporation Harrisburg, PA 17105-3608	
DIMENSIONS: INCHES	TOLERANCES UNLESS OTHERWISE SPECIFIED:	CHK W. MILLHIMES 15AUG05	NAME M. WALMSLEY 15AUG05	RESTRICTED TO
0. PLC ± -	1. PLC ± -	PRODUCT SPEC		SIZE
2. PLC ± -	3. PLC ± .005	APPLICATION SPEC		CAGE CODE
4. PLC ± -	ANGLES ± -	WEIGHT		DRAWING NO.
		A1 00779		5552738
		CUSTOMER DRAWING		SCALE 4:1 SHEET 1 OF 1 REV B1