



Chipsmall Limited consists of a professional team with an average of over 10 year of expertise in the distribution of electronic components. Based in Hongkong, we have already established firm and mutual-benefit business relationships with customers from,Europe,America and south Asia,supplying obsolete and hard-to-find components to meet their specific needs.

With the principle of “Quality Parts,Customers Priority,Honest Operation,and Considerate Service”,our business mainly focus on the distribution of electronic components. Line cards we deal with include Microchip,ALPS,ROHM,Xilinx,Pulse,ON,Everlight and Freescale. Main products comprise IC,Modules,Potentiometer,IC Socket,Relay,Connector.Our parts cover such applications as commercial,industrial, and automotives areas.

We are looking forward to setting up business relationship with you and hope to provide you with the best service and solution. Let us make a better world for our industry!



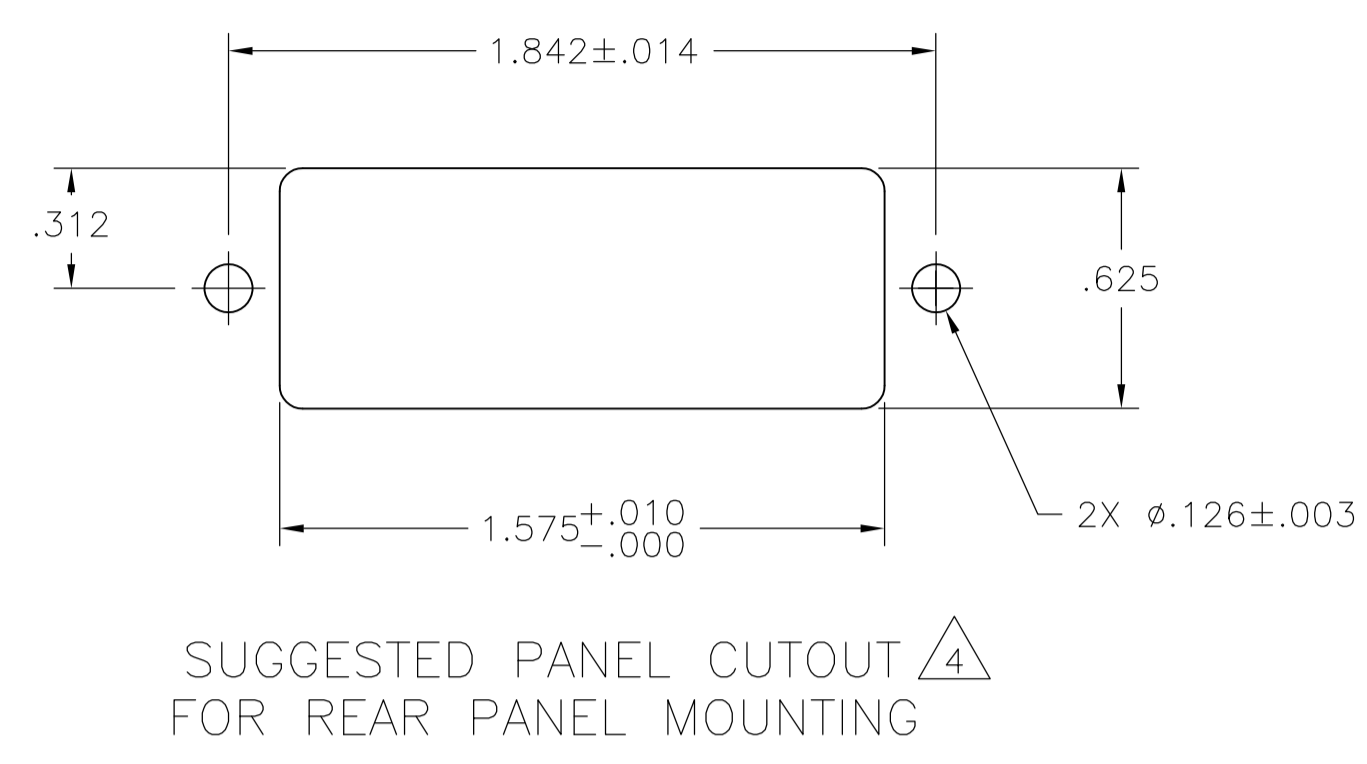
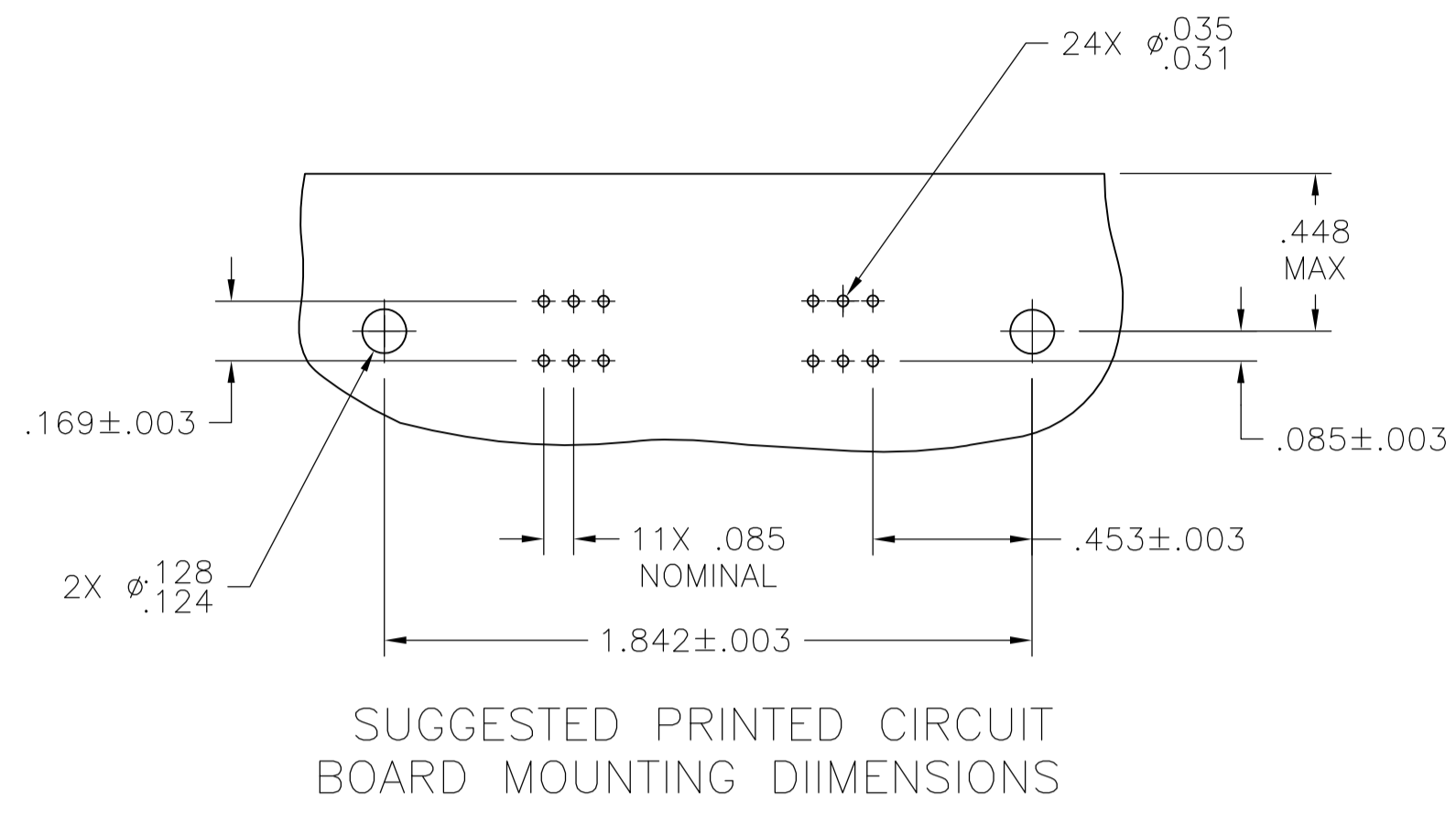
Contact us

Tel: +86-755-8981 8866 Fax: +86-755-8427 6832

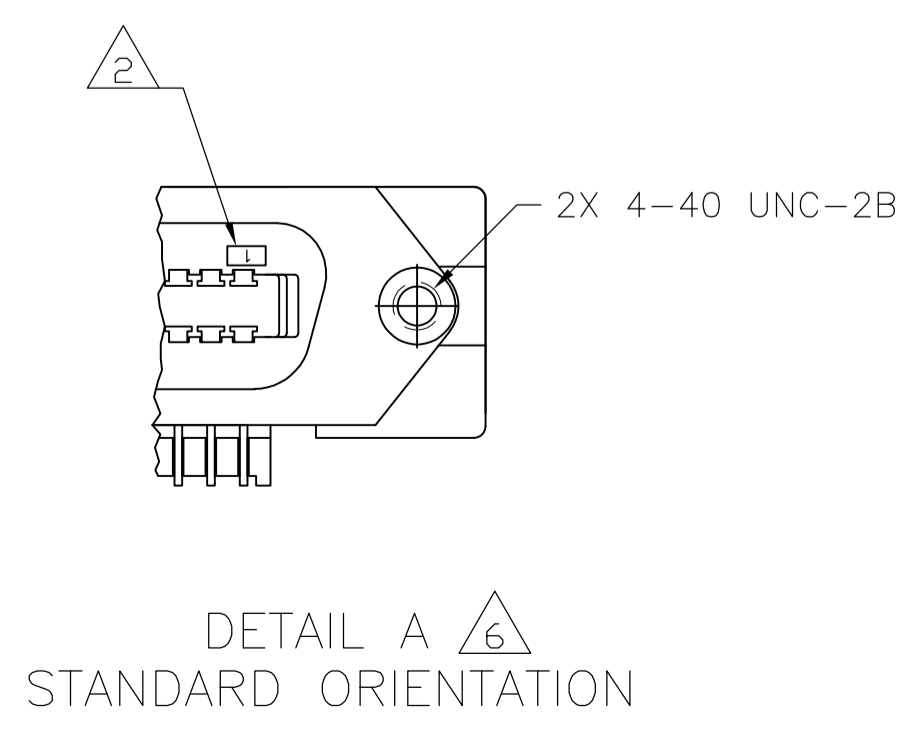
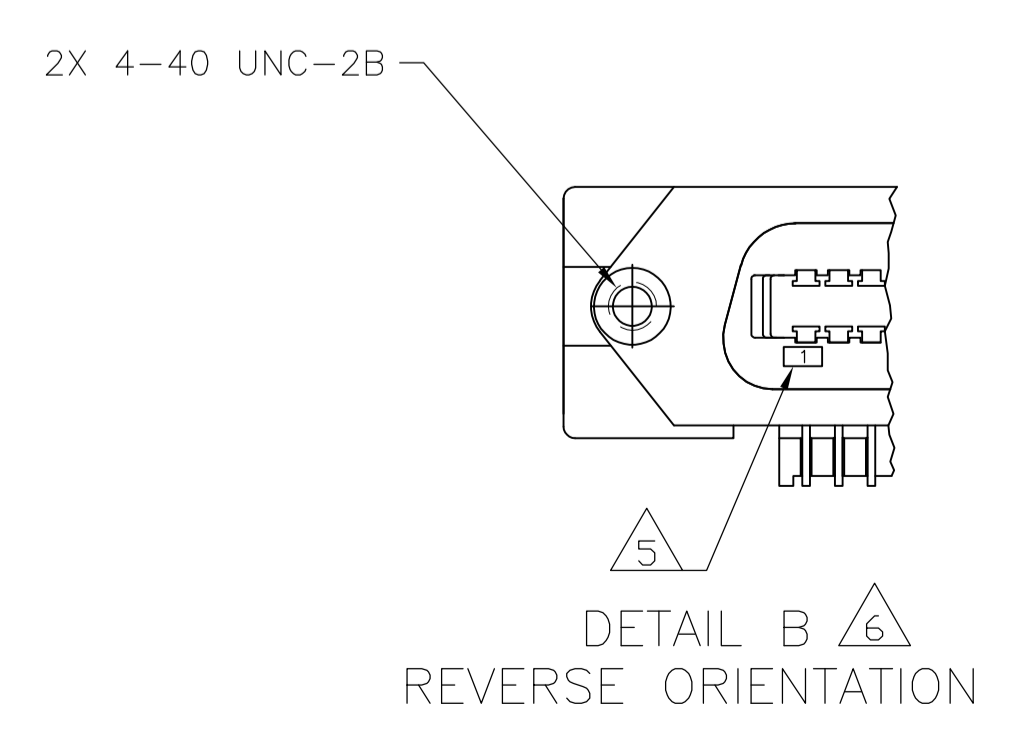
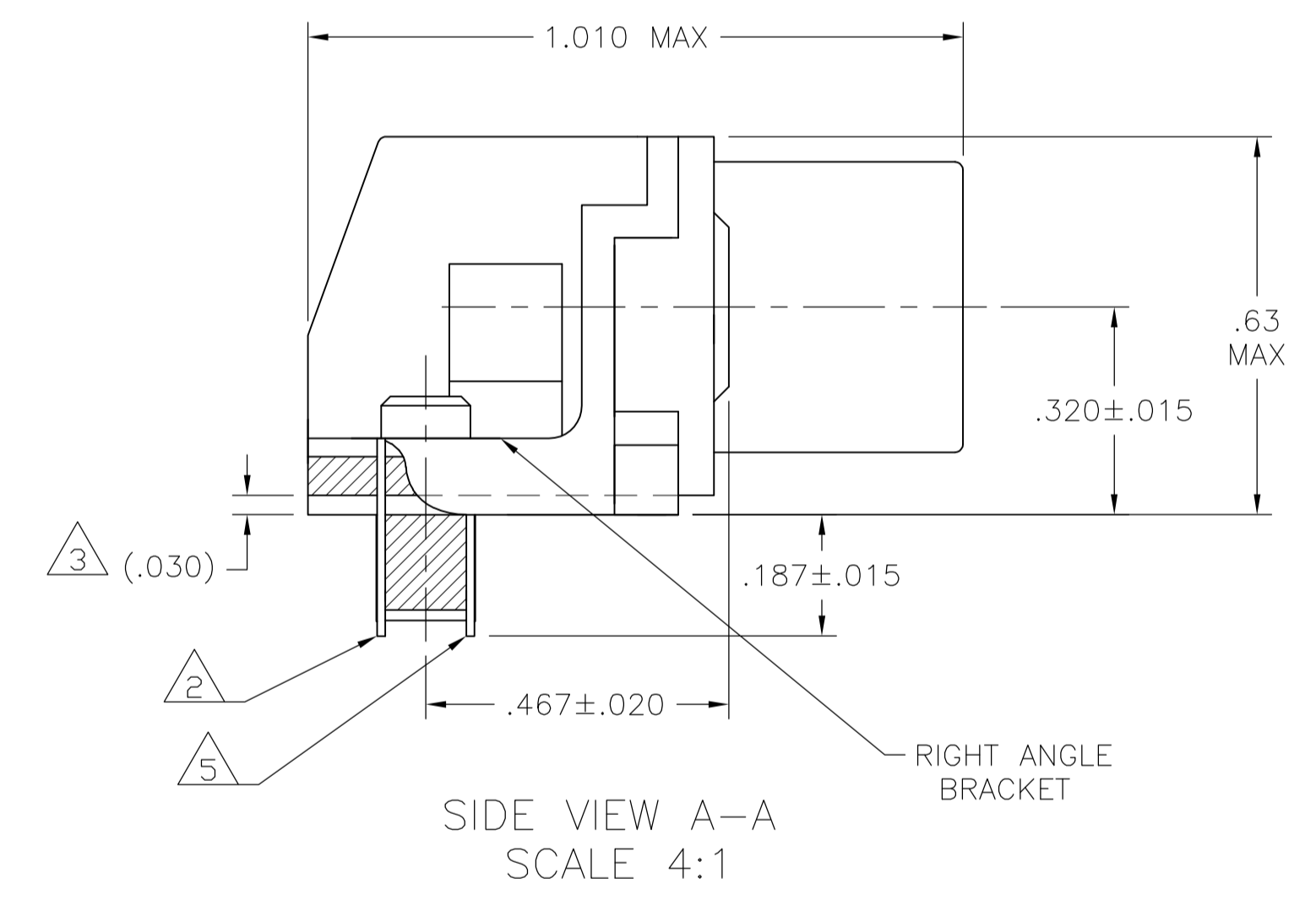
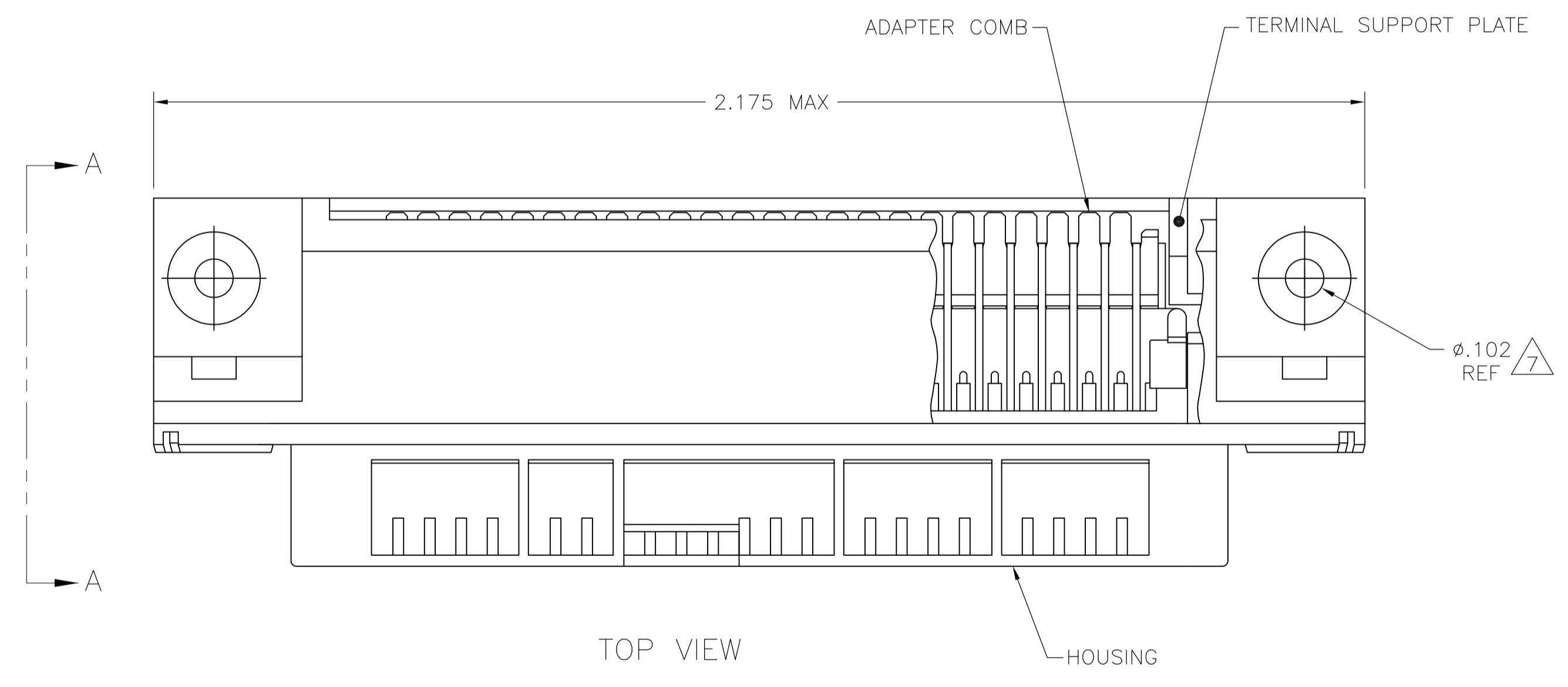
Email & Skype: info@chipsmall.com Web: www.chipsmall.com

Address: A1208, Overseas Decoration Building, #122 Zhenhua RD., Futian, Shenzhen, China





- 1 MATERIAL:
HOUSING, BRACKET, ADAPTER COMB & PLATE - THERMOPLASTIC, BLACK, 94V-0 RATED
TERMINALS - HIGH STRENGTH COPPER ALLOY PLATED WITH EITHER .000030 MIN GOLD
PLATE OR GOLD FLASH OVER PALLADIUM NICKEL PLATE, .000030 MIN TOTAL ON MATING
SURFACE. .000120 MIN TIN PLATE ON TAILS. ALL OVER .000050 MIN NICKEL
UNDERPLATE OVER ENTIRE TERMINAL.
- 2 TERMINAL 1 IS LOCATED IN THIS ROW FOR 5552740-1.
- 3 TERMINAL SUPPORT PLATE CLEARANCE FOR TERMINAL STRAIN RELIEF AND
FLUX REMOVAL.
- 4 PANEL THICKNESS RANGE: .062 MAX.
- 5 TERMINAL 1 IS LOCATED IN THIS ROW FOR 5552740-2.
- 6 DETAILS A & B ARE VIEWED FROM MATING SIDE OF RECEPTACLE ASSEMBLY.
- 7 FOR USE WITH A NO. 4 BT TYPE SELF TAPPING SCREW.



OBSELETE	SELF-TAPPING	SEE DETAIL B	5552740-2
	SELF-TAPPING	SEE DETAIL A	5552740-1
	TYPE OF MOUNTING	DESCRIPTION	PART NUMBER

THIS DRAWING IS A CONTROLLED DOCUMENT.		DIN 15AUG05		Tyco Electronics Corporation Harrisburg, PA 17105-3608	
DIMENSIONS: INCHES		TOLERANCES UNLESS OTHERWISE SPECIFIED:		NAME: RECEPTACLE ASSEMBLY, 24 POSN. (CHAMP-LOK, THRU-BOLT & SELF-TAPPING)	
0 PLC	± .005	1 PLC	± .002	SIZE	A1
1 PLC	± .002	2 PLC	± .001	WEIGHT	—
2 PLC	± .001	3 PLC	± .0005	CAGE CODE	00779
3 PLC	± .0005	4 PLC	± .0002	DRAWING NO	5552740
4 PLC	± .0002	ANGLES	± .0001	SCALE	2:1
MATERIAL		FINISH		CUSTOMER DRAWING	
1		1		SHEET 1 OF 1 REV D	