



Chipsmall Limited consists of a professional team with an average of over 10 year of expertise in the distribution of electronic components. Based in Hongkong, we have already established firm and mutual-benefit business relationships with customers from,Europe,America and south Asia,supplying obsolete and hard-to-find components to meet their specific needs.

With the principle of “Quality Parts,Customers Priority,Honest Operation,and Considerate Service”,our business mainly focus on the distribution of electronic components. Line cards we deal with include Microchip,ALPS,ROHM,Xilinx,Pulse,ON,Everlight and Freescale. Main products comprise IC,Modules,Potentiometer,IC Socket,Relay,Connector.Our parts cover such applications as commercial,industrial, and automotives areas.

We are looking forward to setting up business relationship with you and hope to provide you with the best service and solution. Let us make a better world for our industry!



## Contact us

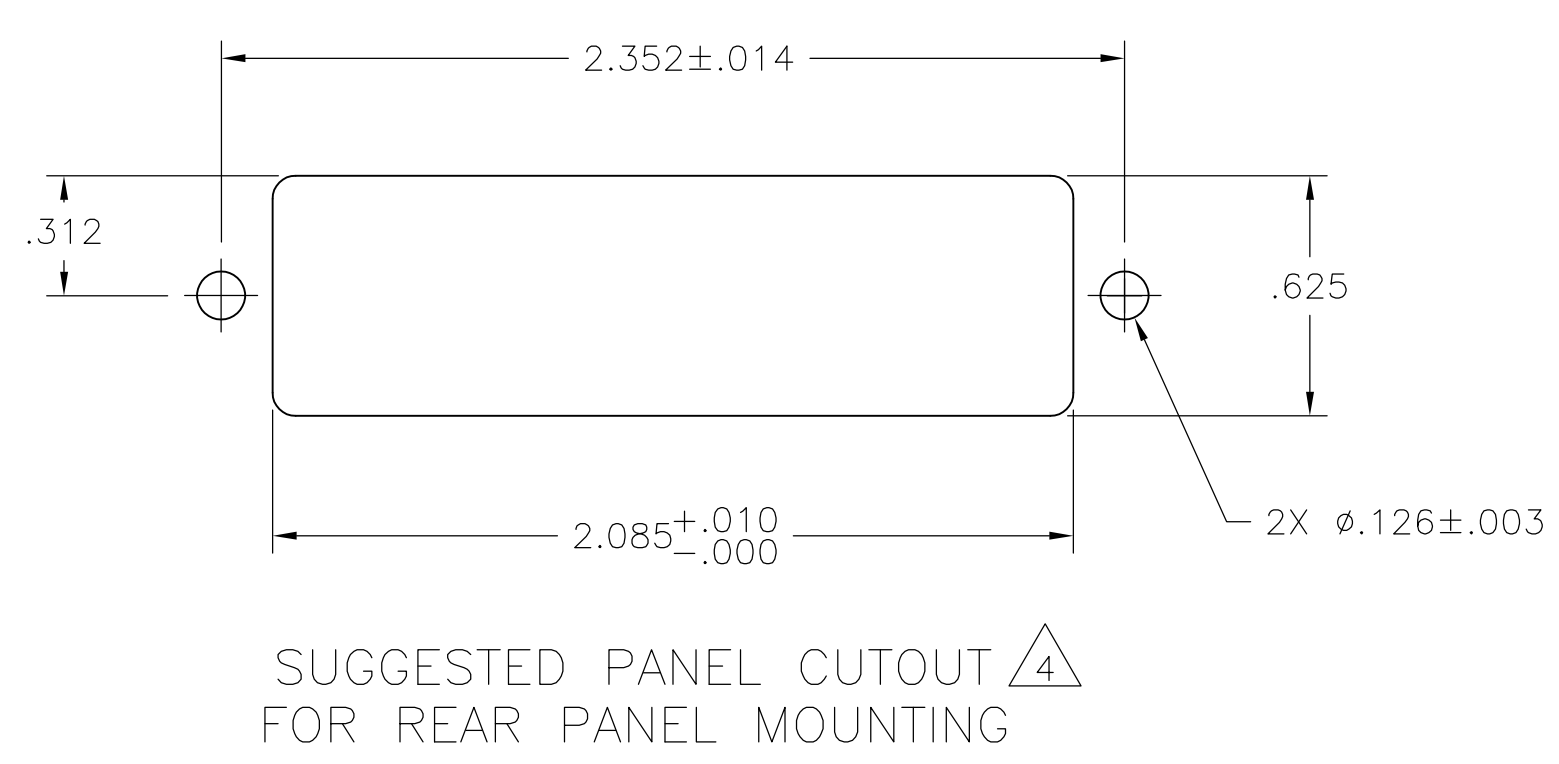
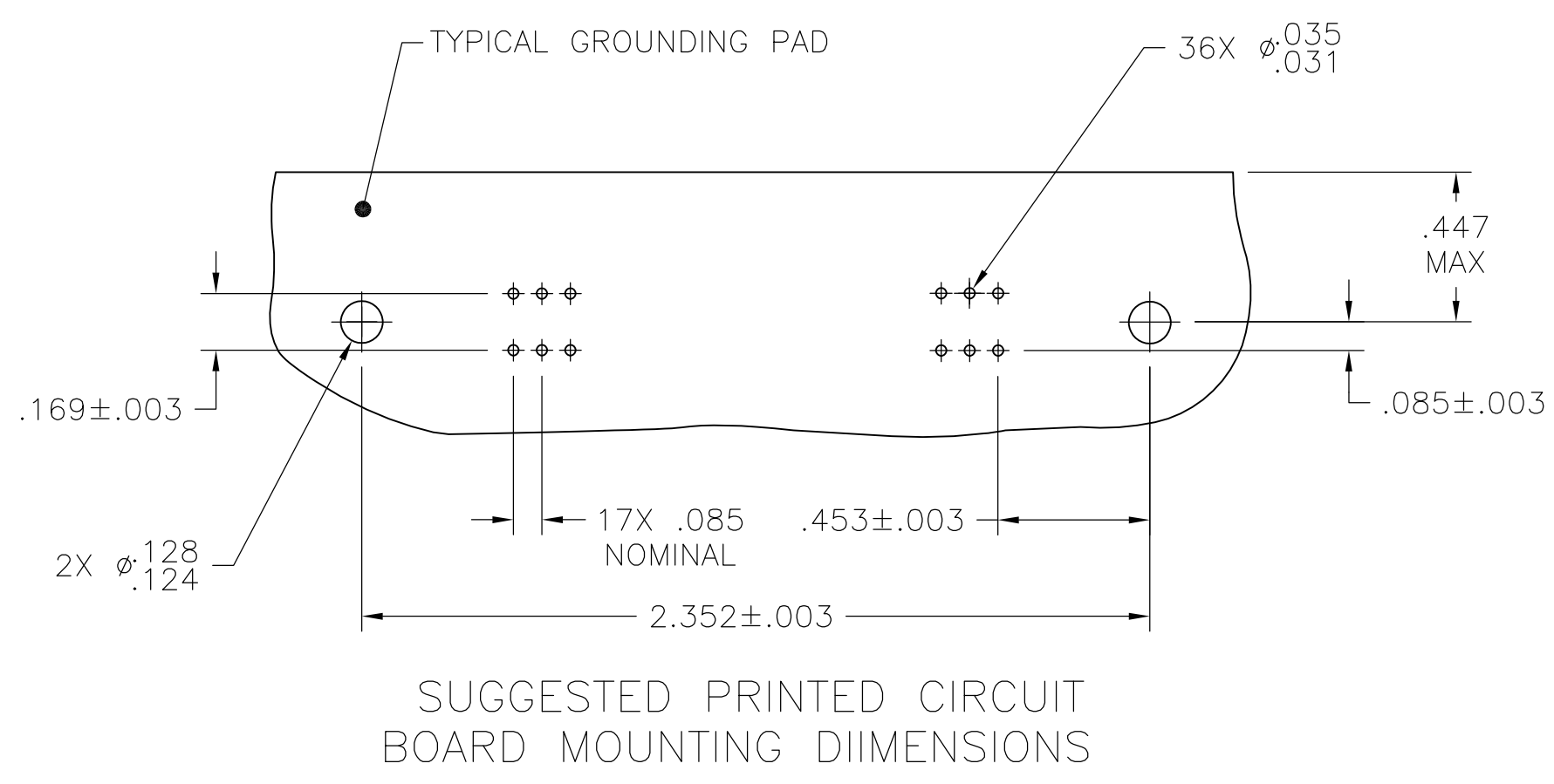
Tel: +86-755-8981 8866 Fax: +86-755-8427 6832

Email & Skype: info@chipsmall.com Web: www.chipsmall.com

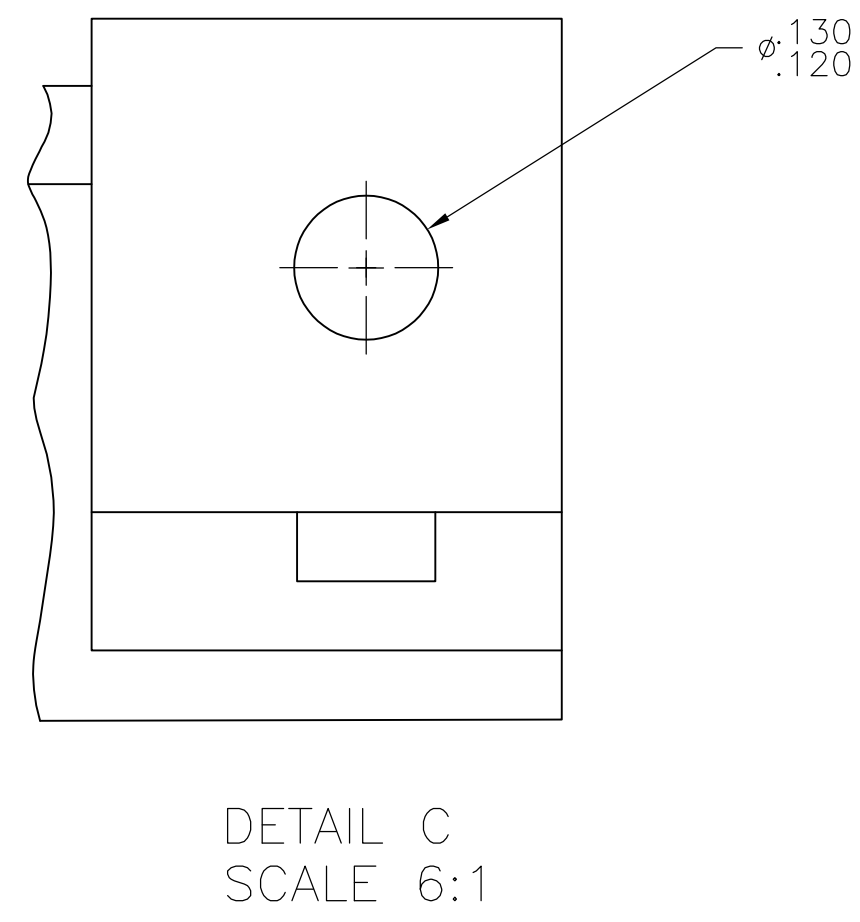
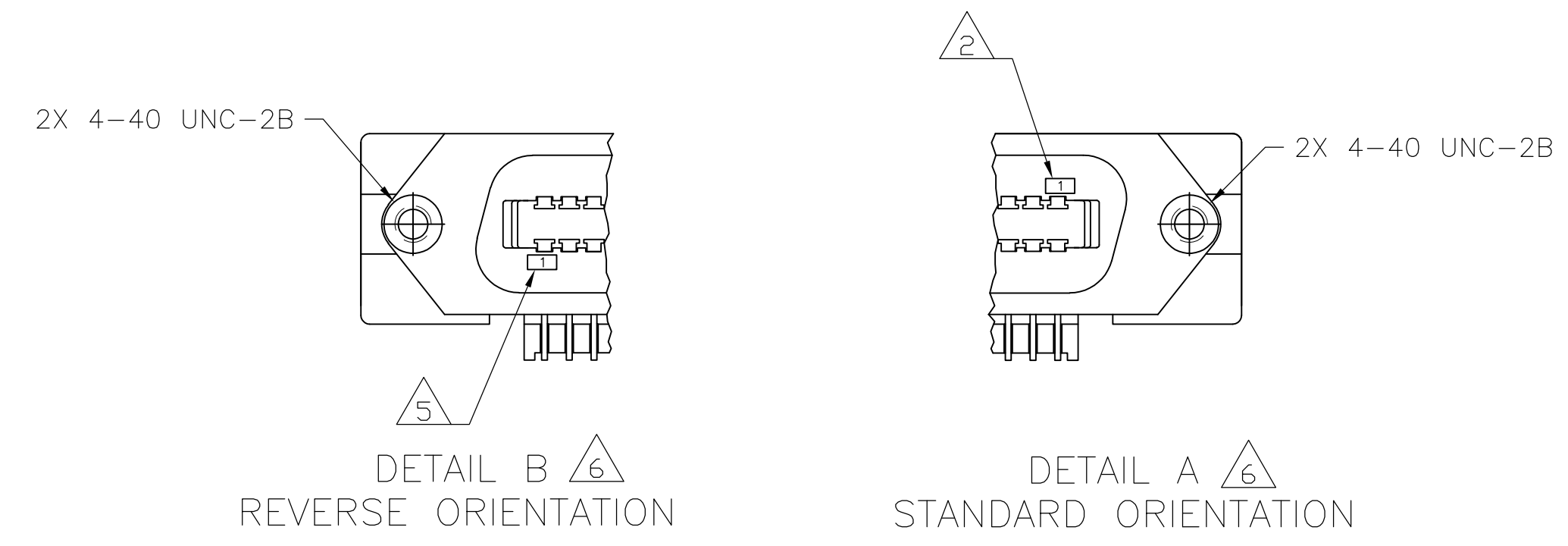
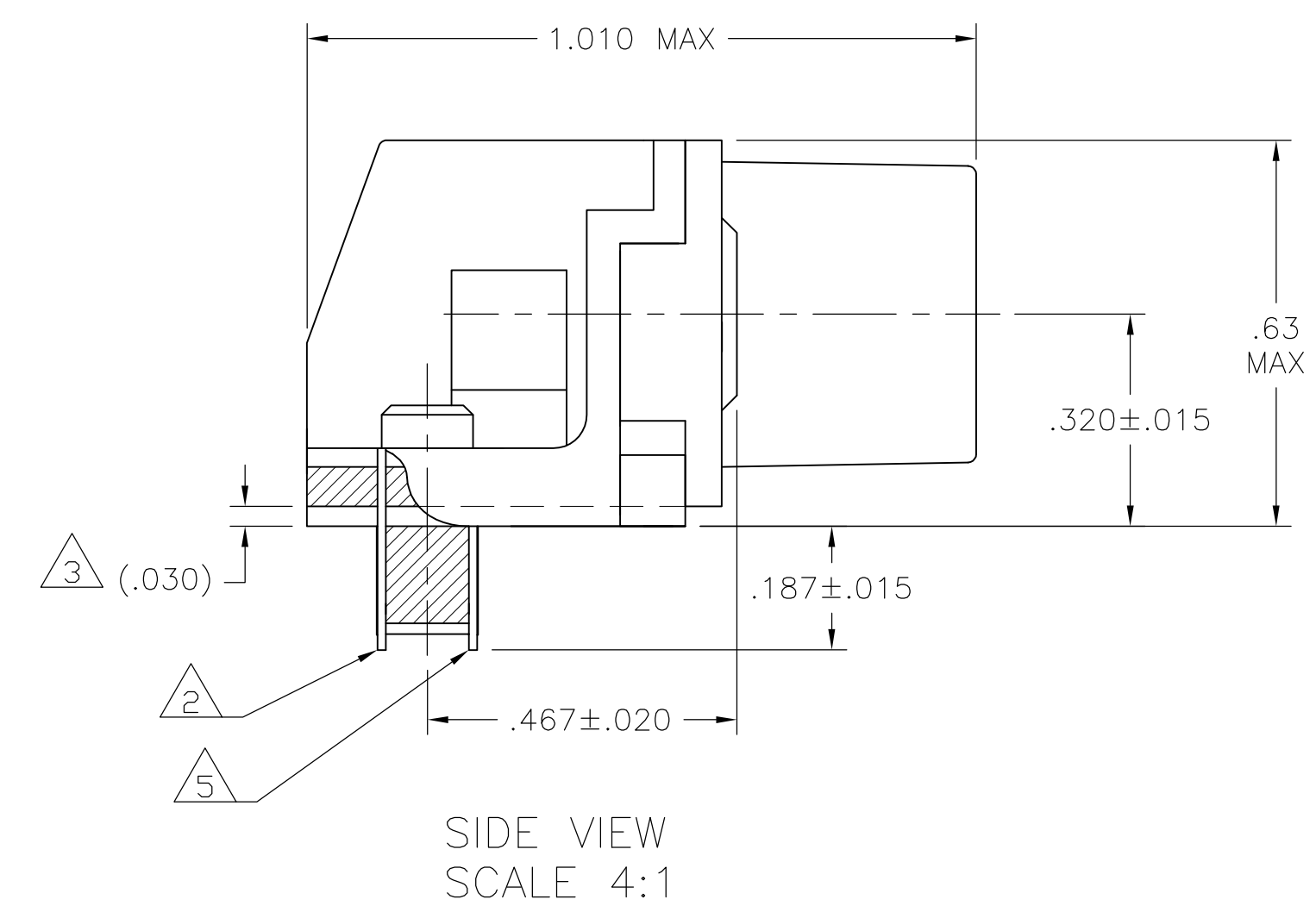
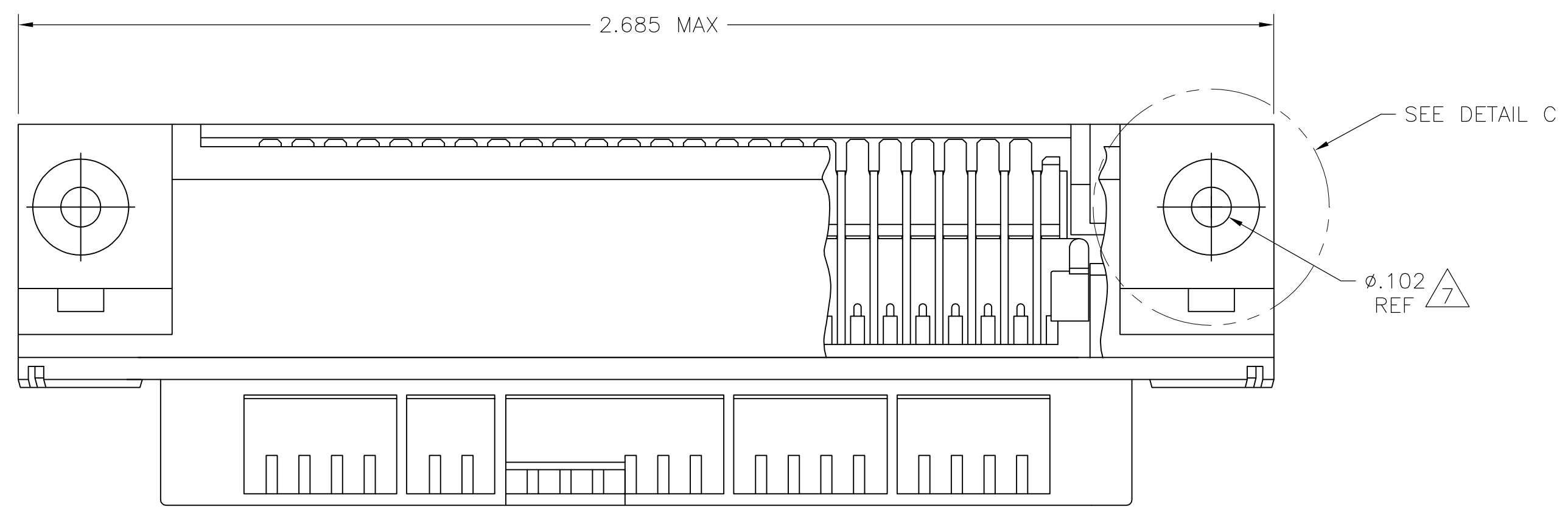
Address: A1208, Overseas Decoration Building, #122 Zhenhua RD., Futian, Shenzhen, China



LOC		DIST		REVISIONS			
GP	00	REV	DATE	BY	CHK	APP	REV
D		REVISED PER ECO-08-007327	08APR08	BM	WM		
D1		REVISED PER ECO-10-000444	19JAN10	KK	HMR		



- $\Delta 1$  MATERIAL:  
HOUSING, BRACKET, ADAPTER COMB AND PLATE: THERMOPLASTIC, BLACK, 94V-0 RATED.  
TERMINALS - HIGH STRENGTH COPPER ALLOY PLATED WITH EITHER .000030 MIN GOLD PLATE OR GOLD FLASH OVER PALLADIUM NICKEL PLATE, .000030 MIN TOTAL ON MATING SURFACE. .000120 MIN TIN PLATE ON TAILS. ALL OVER .000050 MIN NICKEL UNDERPLATE OVER ENTIRE TERMINAL.
- $\Delta 2$  TERMINAL 1 IS LOCATED IN THIS ROW FOR 5552742-1 & -3.
- $\Delta 3$  TERMINAL SUPPORT PLATE CLEARANCE FOR TERMINAL STRAIN RELIEF AND FLUX REMOVAL.
- $\Delta 4$  PANEL THICKNESS RANGE: .062 MAX.
- $\Delta 5$  TERMINAL 1 IS LOCATED IN THIS ROW FOR 5552742-2.
- $\Delta 6$  DETAILS A & B ARE VIEWED FROM MATING SIDE OF RECEPTACLE ASSEMBLY.
- $\Delta 7$  FOR USE WITH A NO. 4 BT TYPE SELF TAPPING SCREW.
- $\Delta 8$  OBSOLETE PARTS: OBSOLETE CIS STREAMLINING PER D.RENAUD/D.SINISI



TYPE OF MOUNTING	DESCRIPTION	PART NUMBER
$\Delta 8$ OBSOLETE THRU BOLT SEE DETAIL C	SEE DETAIL A $\Delta 2$	5552742-3
OBSOLETE SELF-TAPPING $\Delta 7$	SEE DETAIL B $\Delta 5$	5552742-2
SELF-TAPPING $\Delta 7$	SEE DETAIL A $\Delta 2$	5552742-1

THIS DRAWING IS A CONTROLLED DOCUMENT.

DIMENSIONS: INCHES	TOLERANCES UNLESS OTHERWISE SPECIFIED:	0 PLC ± -	1 PLC ± -	2 PLC ± -	3 PLC ± -	4 PLC ± -	ANGLES ± -
--------------------	--	-----------	-----------	-----------	-----------	-----------	------------

DIN 15	10AUG05	McMaster	Tyco Electronics Corporation
CHK W. MILLHIMES	10AUG05	W. MILLHIMES	Harrisburg, PA 17105-3608
APP'D M. WALMSEY	10AUG05	M. WALMSEY	

NAME: ASSEMBLY RECEPTACLE, 36 POSITION, RIGHT ANGLE, PRINTED CIRCUIT BOARD (CHAMP-LOK, THRU-BOLT & SELF-TAPPING)

SIZE: A1 CAGE CODE: 00779 DRAWING NO: 5552742

WEIGHT: -

CUSTOMER DRAWING SCALE: 2:1 SHEET: 1 OF 1 REV: D1