



Chipsmall Limited consists of a professional team with an average of over 10 year of expertise in the distribution of electronic components. Based in Hongkong, we have already established firm and mutual-benefit business relationships with customers from,Europe,America and south Asia,supplying obsolete and hard-to-find components to meet their specific needs.

With the principle of “Quality Parts,Customers Priority,Honest Operation,and Considerate Service”,our business mainly focus on the distribution of electronic components. Line cards we deal with include Microchip,ALPS,ROHM,Xilinx,Pulse,ON,Everlight and Freescale. Main products comprise IC,Modules,Potentiometer,IC Socket,Relay,Connector.Our parts cover such applications as commercial,industrial, and automotives areas.

We are looking forward to setting up business relationship with you and hope to provide you with the best service and solution. Let us make a better world for our industry!



Contact us

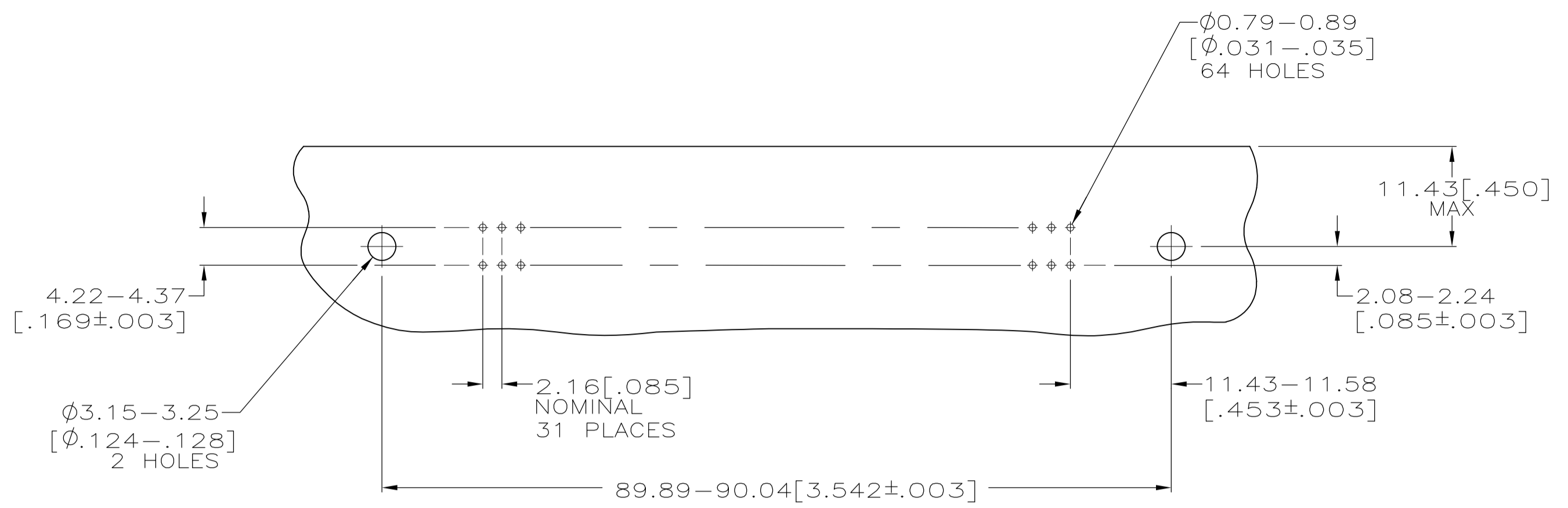
Tel: +86-755-8981 8866 Fax: +86-755-8427 6832

Email & Skype: info@chipsmall.com Web: www.chipsmall.com

Address: A1208, Overseas Decoration Building, #122 Zhenhua RD., Futian, Shenzhen, China

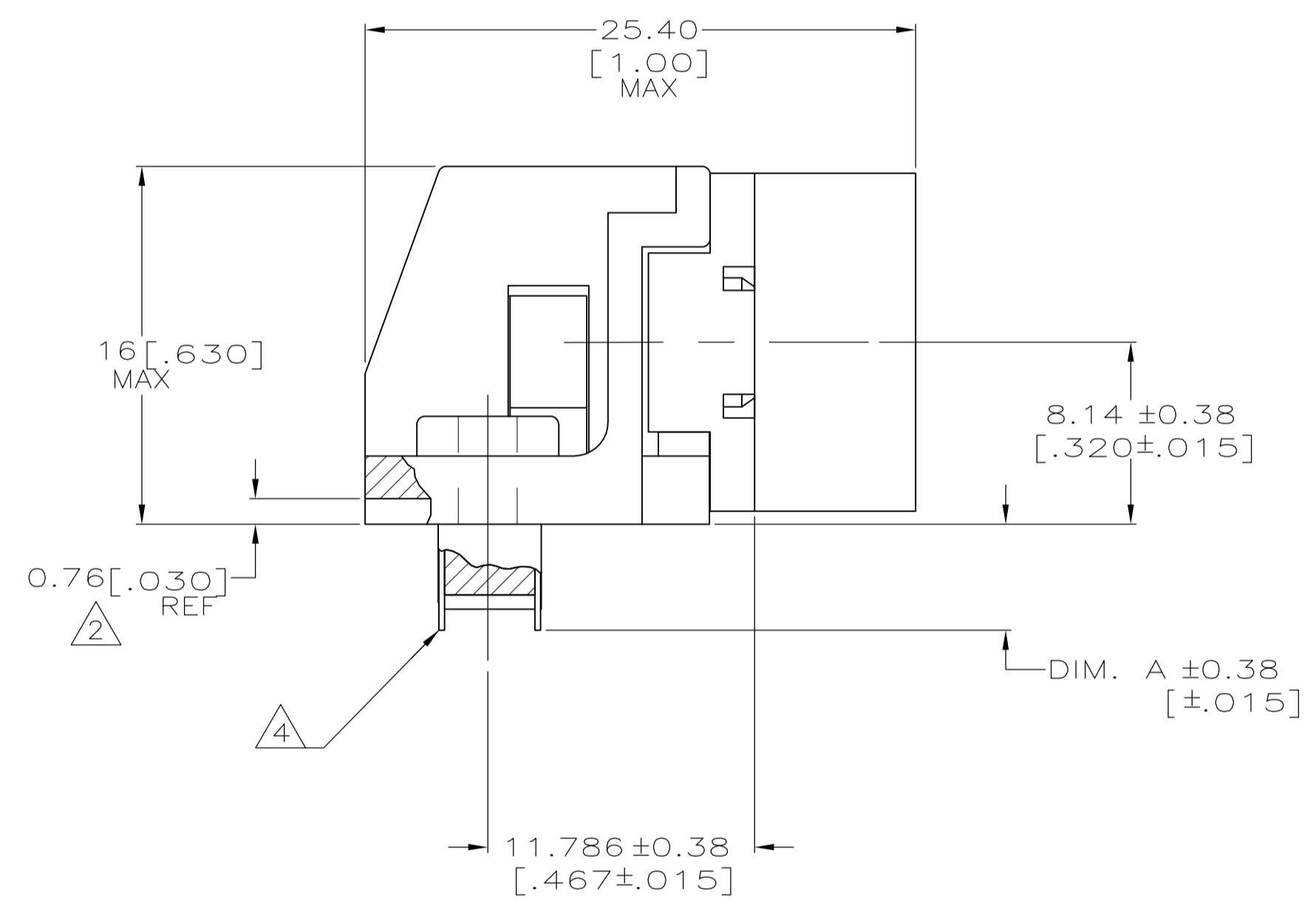
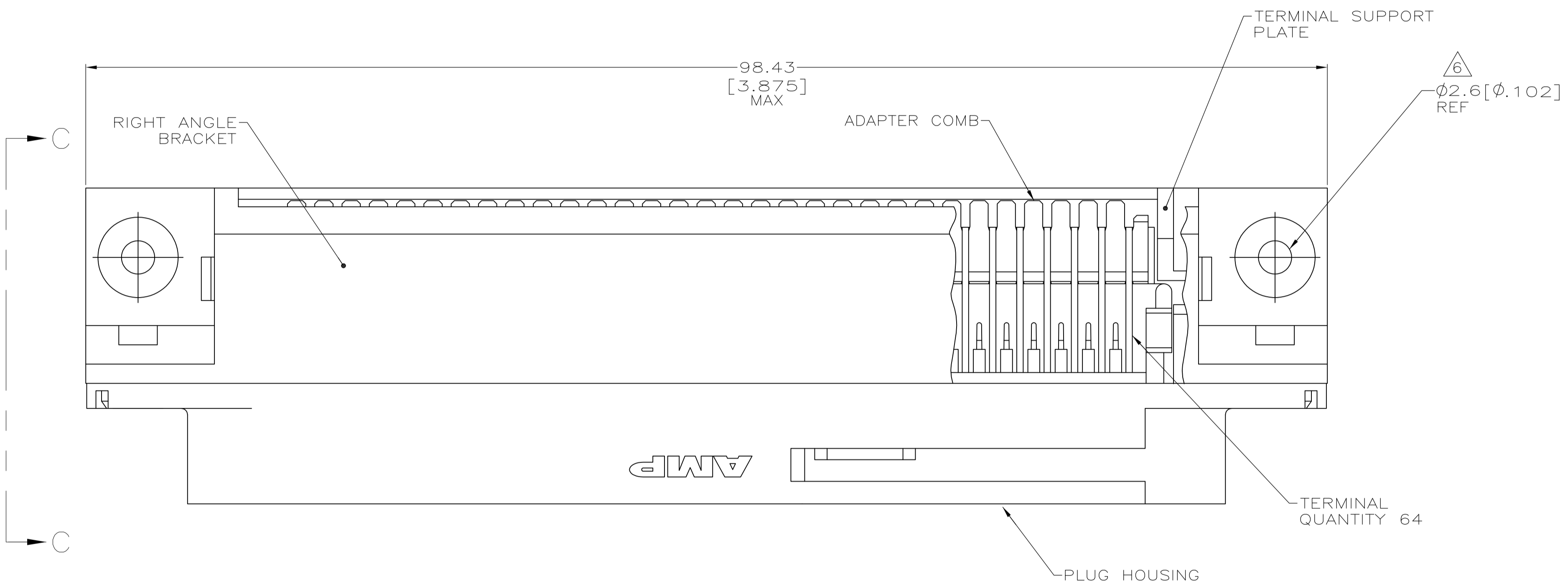


LOC		DIST		REVISIONS			
P	LTR	DESCRIPTION	DATE	DMN	APVD		
B		REVISED PER ECO-08-007327		OBAPROB	BM	WM	

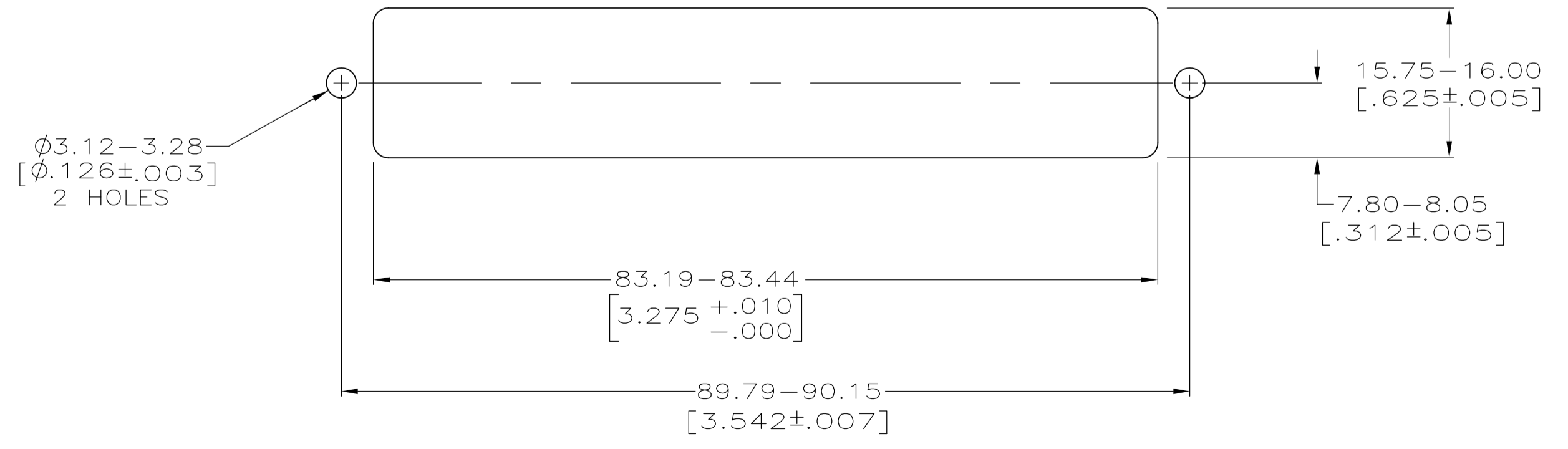


SUGGESTED PRINTED CIRCUIT BOARD MOUNTING DIMENSIONS SCALE 2:1

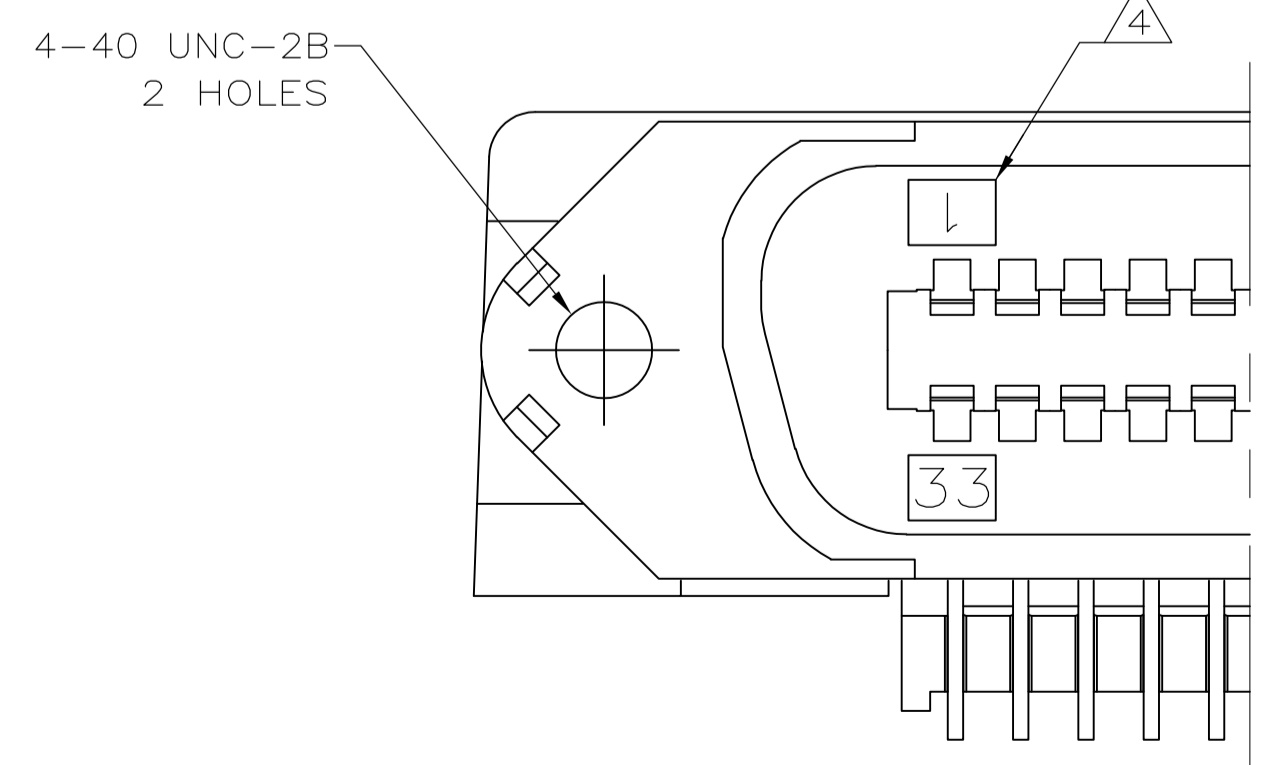
- 1 MATERIAL: HOUSING, BRACKET, PLATE AND COMB - THERMOPLASTIC, BLACK, 94V-0 RATED. TERMINALS - HIGH STRENGTH COPPER ALLOY PLATED WITH EITHER 0.76μm [.000030] MIN GOLD PLATE OR GOLD FLASH OVER PALLADIUM NICKEL PLATE, 0.76μm [.000030] MIN TOTAL ON MATING SURFACE. 3.05μm [.000120] MIN TIN PLATE ON TAILS. ALL OVER 1.27μm [.000050] MIN NICKEL UNDERPLATE OVER ENTIRE TERMINAL.
- 2 TERMINAL SUPPORT PLATE CLEARANCE FOR TERMINAL STRAIN RELIEF AND FLUX REMOVAL.
- 3 MAXIMUM PANEL THICKNESS: 1.57 [.062].
- 4 TERMINAL 1 IS LOCATED IN THIS ROW FOR STANDARD ORIENTATION, 5552745-1 AND -5.
- 5 DETAIL "A" IS VIEWED FROM MATING SIDE OF PLUG ASSEMBLY.
- 6 FOR USE WITH A NO.4 BT TYPE SELF-TAPPING SCREW.
- 7. IF TERMINALS DO NOT EXTEND BELOW COMB, THEN COMB SHOULD BE PARTIALLY RETRACTED BEFORE INSERTING CONNECTOR INTO PRINTED CIRCUIT BOARD.



VIEW C-C ROTATED 90° CCW



SUGGESTED REAR PANEL MOUNTING CUTOUT DIMENSIONS SCALE 2:1



DETAIL A STANDARD ORIENTATION

2.54 [.100]	SELF-TAPPING	SEE DETAIL A	5552745-5
4.75 [.187]	SELF-TAPPING	SEE DETAIL A	5552745-1
DIM. A	TYPE OF MOUNTING	DESCRIPTION	PART NUMBER

THIS DRAWING IS A CONTROLLED DOCUMENT.		DIN B MCMMASTER 16AUG05		Tyco Electronics Corporation Harrisburg, PA 17105-3608	
DIMENSIONS: mm [INCHES]		TOLERANCES UNLESS OTHERWISE SPECIFIED:		NAME: PLUG ASSEMBLY, 64 POSITION, RIGHT ANGLE, SELF-TAPPING, CHAMP-LOK®	
0 PLC	± -	1 PLC	± -	APVD	W. WALSLEY 16AUG05
1 PLC	± -	2 PLC	± -	PRODUCT SPEC	
2 PLC	± -	3 PLC	± 0.13 [.005]	APPLICATION SPEC	
3 PLC	± -	4 PLC	± -	SIZE	CAGE CODE DRAWING NO
4 PLC	± -	ANGLES	± -	WEIGHT	A1 00779 C=5552745
MATERIAL	1	FINISH	1	CUSTOMER DRAWING	SCALE 4:1 SHEET 1 OF 1 REV B