



Chipsmall Limited consists of a professional team with an average of over 10 year of expertise in the distribution of electronic components. Based in Hongkong, we have already established firm and mutual-benefit business relationships with customers from,Europe,America and south Asia,supplying obsolete and hard-to-find components to meet their specific needs.

With the principle of “Quality Parts,Customers Priority,Honest Operation,and Considerate Service”,our business mainly focus on the distribution of electronic components. Line cards we deal with include Microchip,ALPS,ROHM,Xilinx,Pulse,ON,Everlight and Freescale. Main products comprise IC,Modules,Potentiometer,IC Socket,Relay,Connector.Our parts cover such applications as commercial,industrial, and automotives areas.

We are looking forward to setting up business relationship with you and hope to provide you with the best service and solution. Let us make a better world for our industry!



Contact us

Tel: +86-755-8981 8866 Fax: +86-755-8427 6832

Email & Skype: info@chipsmall.com Web: www.chipsmall.com

Address: A1208, Overseas Decoration Building, #122 Zhenhua RD., Futian, Shenzhen, China



4

3

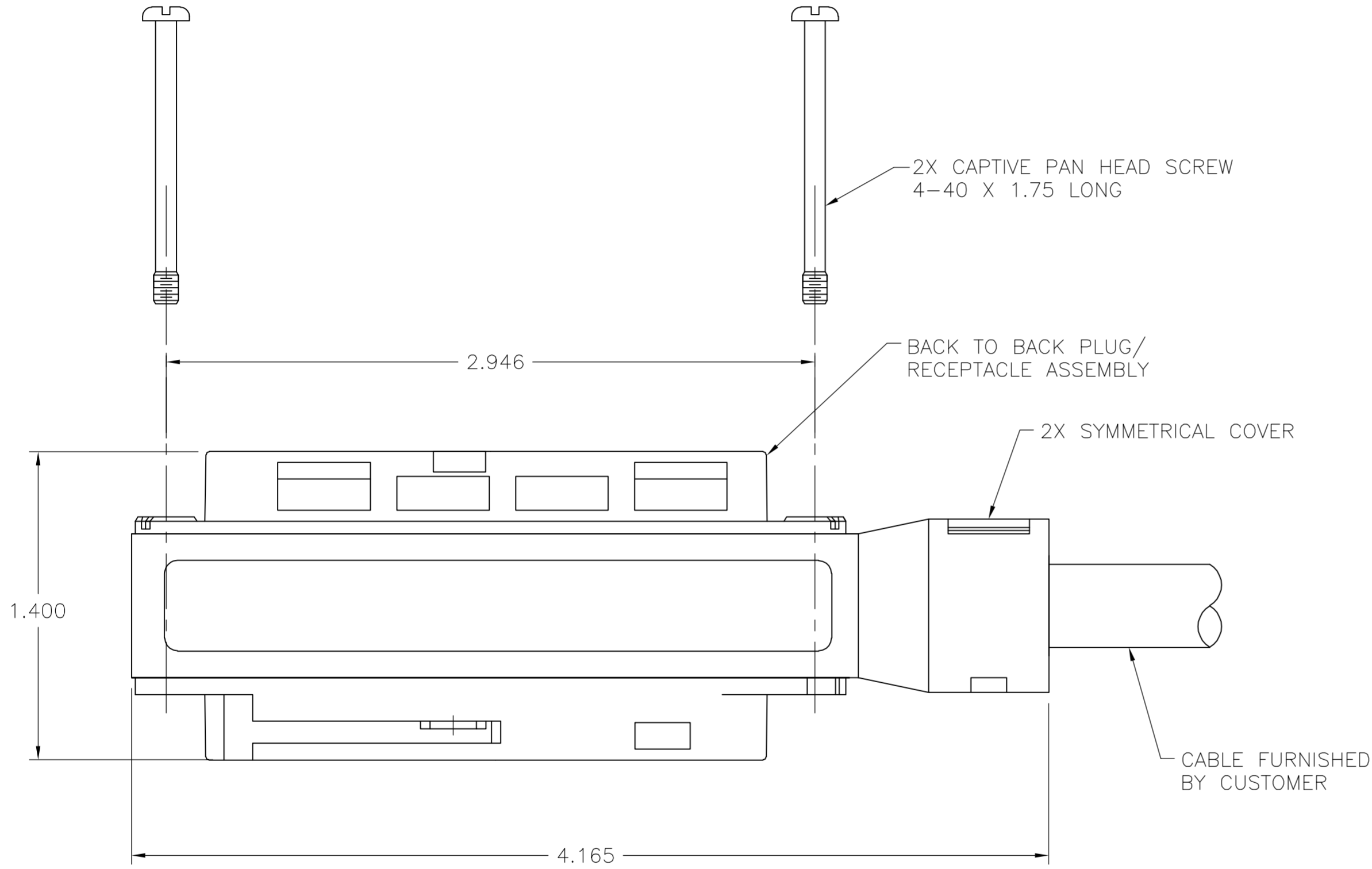
2

1

THIS DRAWING IS UNPUBLISHED. RELEASED FOR PUBLICATION
 © COPYRIGHT BY TYCO ELECTRONICS CORPORATION. ALL RIGHTS RESERVED.

LOC	DIST	REVISIONS			
P	LTR	DESCRIPTION	DATE	DWN	APVD
GP	00	0	RELEASED PER EC 0513-0288-05	05OCT05	BM WM

- 1 MATERIAL:
 HOUSING & COVER: THERMOPLASTIC(BLACK)
 TERMINALS: GOLD OVER NICKEL PLATED HIGH STRENGTH COPPER ALLOY.
 HARDWARE: ZINC PLATED STEEL.
- KIT SHOWN ASSEMBLED, HOWEVER, HARDWARE AND COVERS ARE INSTALLED AFTER CABLE IS APPLIED TO CONNECTORS.
 - COVERS AND HARDWARE SHIPPED UNASSEMBLED.
 - WIRE SIZE: 26 AWG SOLID OR 24 AWG. 7 STRANDS OF COPPER CONDUCTORS. MAX INSULATION DIAMETER OF .045 IS ACCEPTABLE FOR MOST APPLICATIONS.
 - CABLE RANGE: ϕ .380-.400
 - PLUG & RECEPTACLE ARE BONDED TOGETHER.
 - THE CONTACT SURFACES OF THE TERMINALS ARE COATED WITH LUBRICANT.
 - ALL DIMENSIONS SHOWN ARE FOR REFERENCE ONLY UNLESS OTHERWISE SPECIFIED.
 - CENTER TO CENTER SPACING OF TERMINALS IS .085.
 - KIT SHIPPED IN POLY BAG FORM.



5553257-1
 PART NUMBER

THIS DRAWING IS A CONTROLLED DOCUMENT.		DWN B. MCMASTER	05OCT05	Tyco Electronics Corporation Harrisburg, PA 17105-3608															
DIMENSIONS: INCHES		CHK W. MILLHIMES	05OCT05																
TOLERANCES UNLESS OTHERWISE SPECIFIED:		APVD W. MILLHIMES	05OCT05	NAME BACK TO BACK KIT, 50 POSITION, B SLOT, CHAMP-LOK, PLUG/ RECEPTACLE, THIN FLANGE															
<table border="1"> <tr><td>0 PLC</td><td>± -</td></tr> <tr><td>1 PLC</td><td>± -</td></tr> <tr><td>2 PLC</td><td>± -</td></tr> <tr><td>3 PLC</td><td>± -</td></tr> <tr><td>4 PLC</td><td>± -</td></tr> <tr><td>ANGLES</td><td>± -</td></tr> <tr><td>FINISH</td><td>± -</td></tr> </table>		0 PLC	± -	1 PLC	± -	2 PLC	± -	3 PLC	± -	4 PLC	± -	ANGLES	± -	FINISH	± -	PRODUCT SPEC -	APPLICATION SPEC -	SIZE A2	CAGE CODE 00779
0 PLC	± -																		
1 PLC	± -																		
2 PLC	± -																		
3 PLC	± -																		
4 PLC	± -																		
ANGLES	± -																		
FINISH	± -																		
MATERIAL 1	FINISH 1	WEIGHT -	DRAWING NO C=5553257	RESTRICTED TO -															
CUSTOMER DRAWING			SCALE 2:1	SHEET 1 of 1	REV 0														

5553257

A