



Chipsmall Limited consists of a professional team with an average of over 10 year of expertise in the distribution of electronic components. Based in Hongkong, we have already established firm and mutual-benefit business relationships with customers from,Europe,America and south Asia,supplying obsolete and hard-to-find components to meet their specific needs.

With the principle of “Quality Parts,Customers Priority,Honest Operation,and Considerate Service”,our business mainly focus on the distribution of electronic components. Line cards we deal with include Microchip,ALPS,ROHM,Xilinx,Pulse,ON,Everlight and Freescale. Main products comprise IC,Modules,Potentiometer,IC Socket,Relay,Connector.Our parts cover such applications as commercial,industrial, and automotives areas.

We are looking forward to setting up business relationship with you and hope to provide you with the best service and solution. Let us make a better world for our industry!



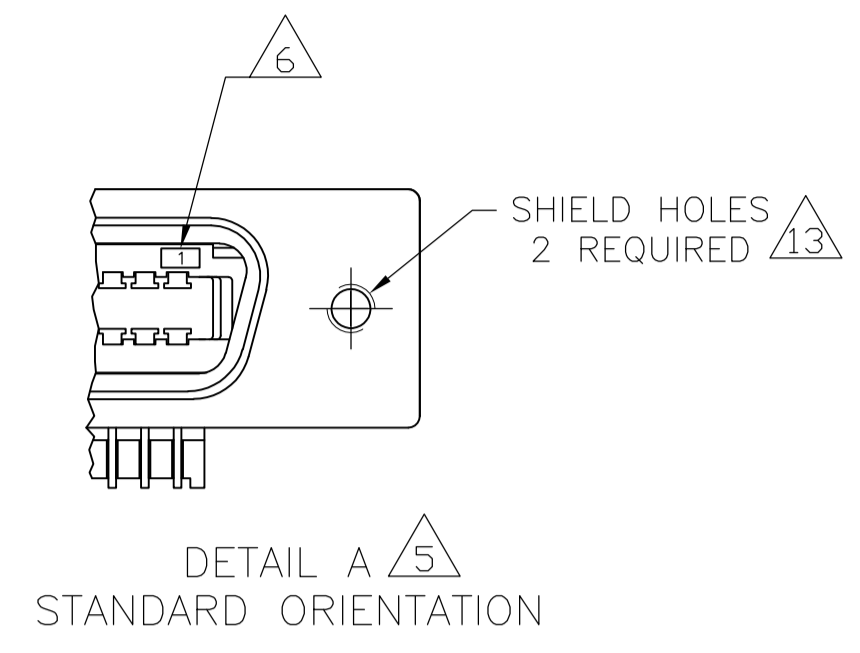
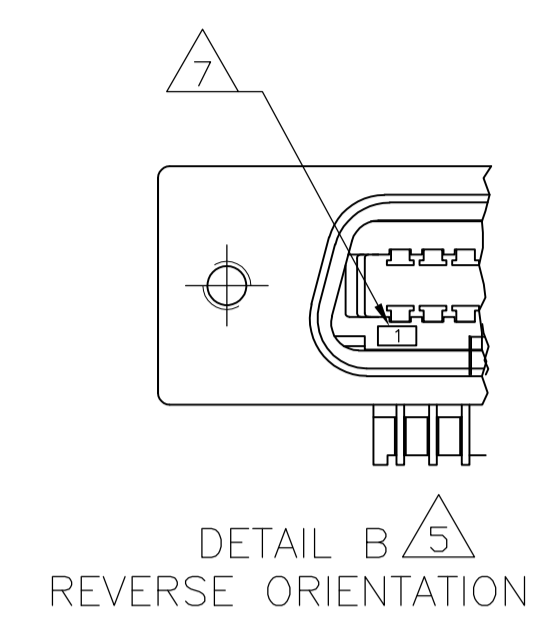
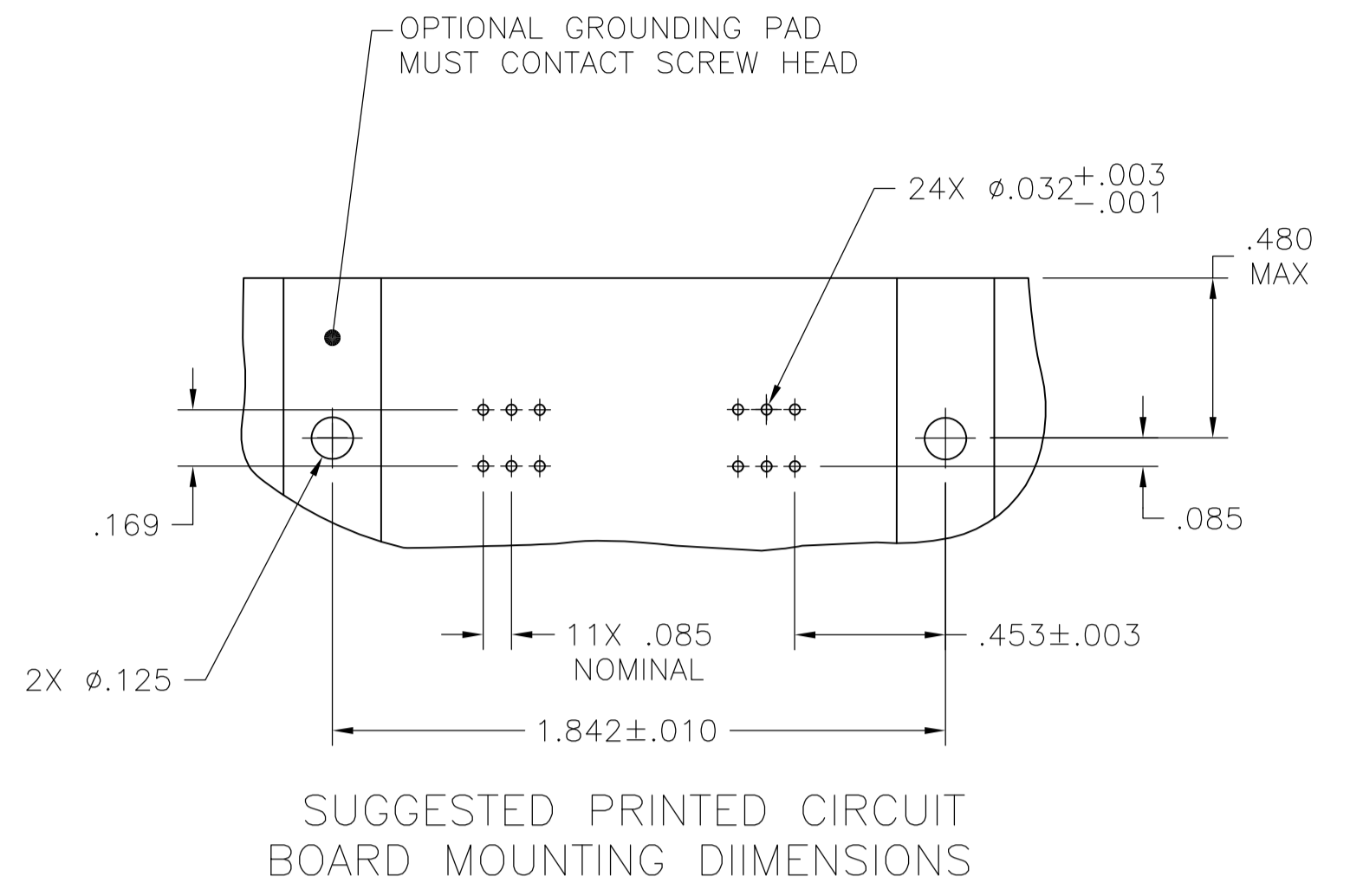
Contact us

Tel: +86-755-8981 8866 Fax: +86-755-8427 6832

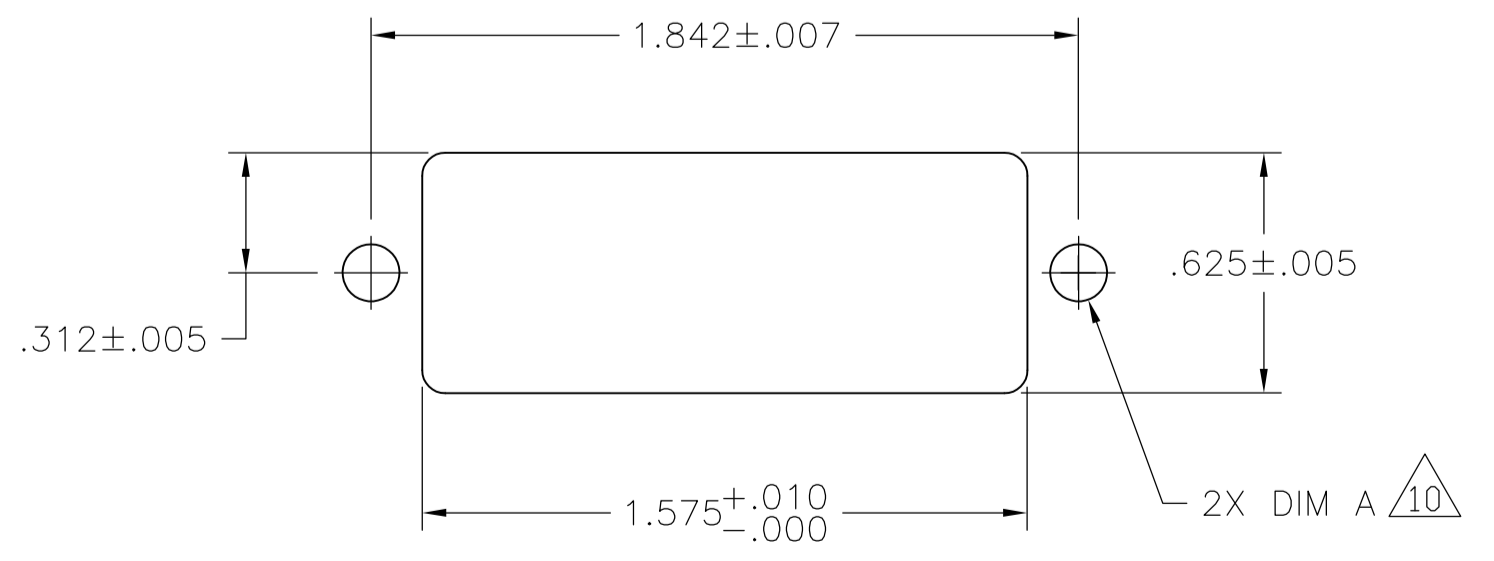
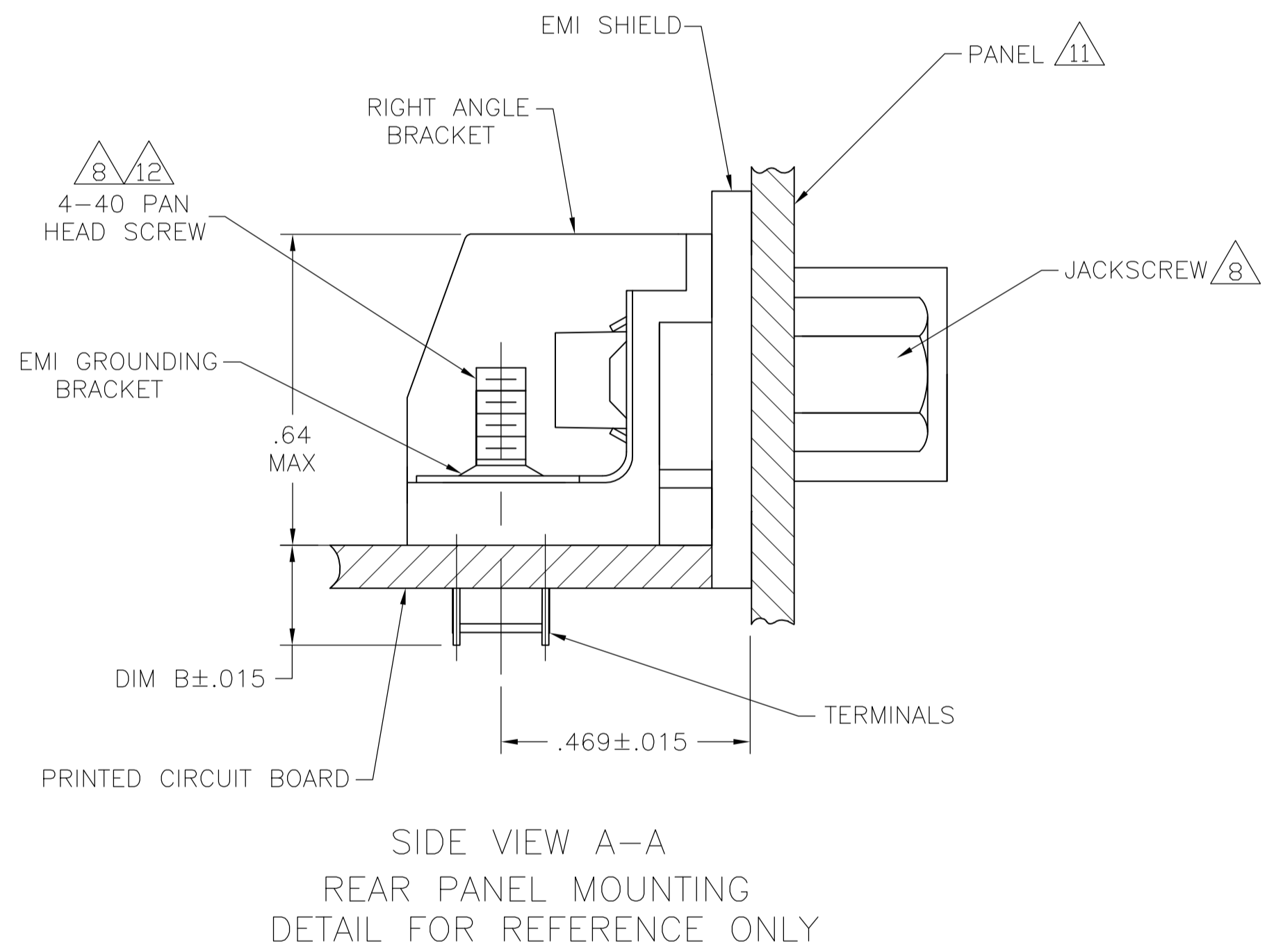
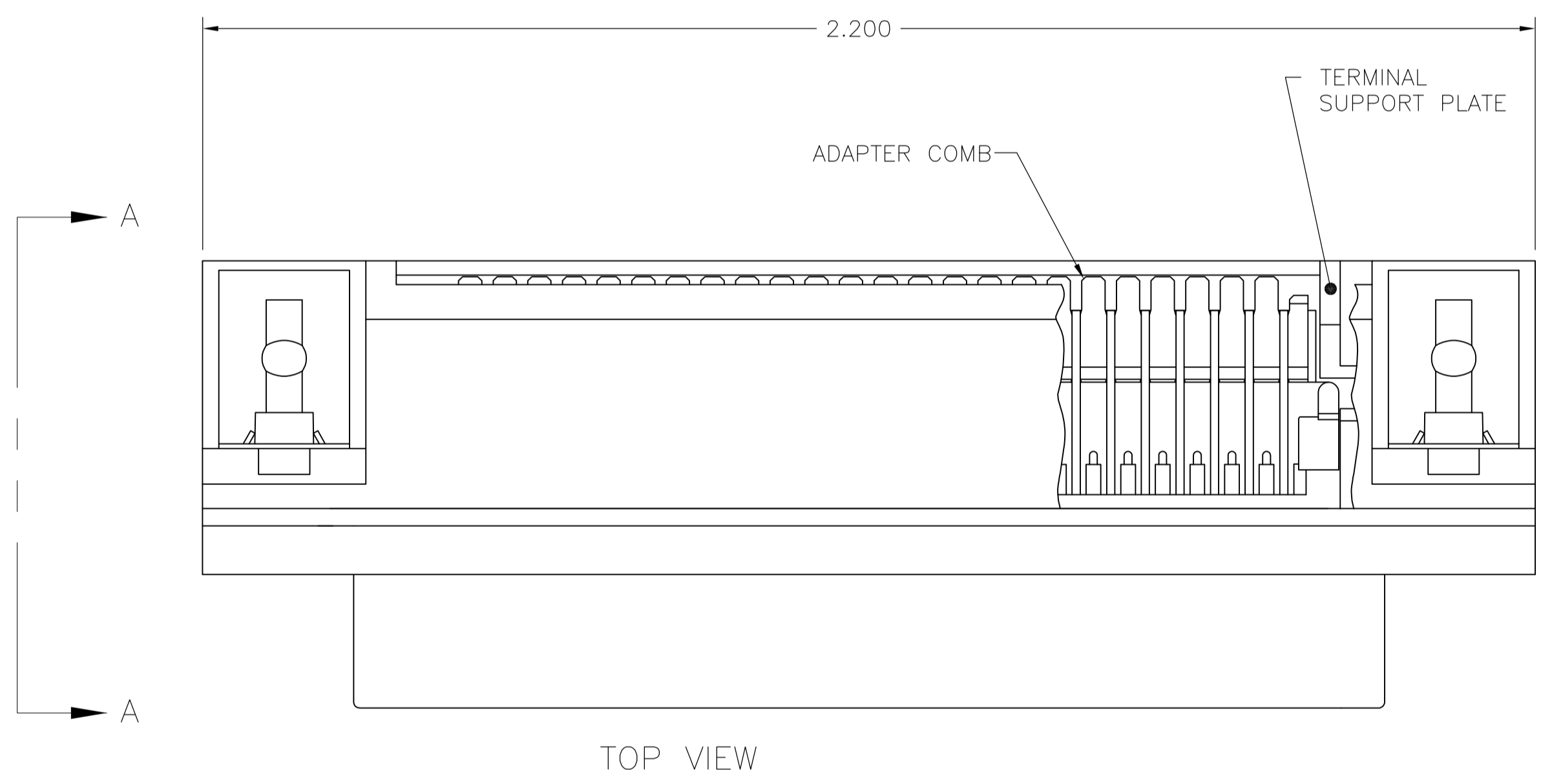
Email & Skype: info@chipsmall.com Web: www.chipsmall.com

Address: A1208, Overseas Decoration Building, #122 Zhenhua RD., Futian, Shenzhen, China





- 1 MATERIAL:
HOUSING, RIGHT ANGLE BRACKET, ADAPTER COMB AND SUPPORT PLATE - THERMOPLASTIC, BLACK.
EMI SHIELD - BRIGHT NICKEL OVER COPPER PLATED DIE CATING.
TERMINALS - HIGH STRENGTH COPPER ALLOY PLATED WITH EITHER .000030 MIN GOLD PLATE OR GOLD FLASH OVER PALLADIUM NICKEL PLATE, .000030 MIN TOTAL ON MATING SURFACE. .000120 MIN TIN PLATE ON TAILS. ALL OVER .000050 MIN NICKEL UNDERPLATE OVER ENTIRE TERMINAL.
- 2 THE CONTACT SURFACES OF THE TERMINALS ARE COATED WITH LUBRICANT.
- 3 CENTER-TO-CENTER SPACING OF TERMINALS IS .085.
- 4 ALL DIMENSIONS SHOWN ARE FOR REFERENCE ONLY UNLESS OTHERWISE SPECIFIED.
- 5 DETAILS A & B ARE VIEWED FROM MATING SIDE OF RECEPTACLE ASSEMBLY.
- 6 TERMINAL 1 LOCATED IN THIS ROW FOR STANDARD ORIENTATION.
- 7 TERMINAL 1 LOCATED IN THIS ROW FOR REVERSE ORIENTATION.
- 8 SCREWS SHOWN FOR REFERENCE ONLY, RECOMMENDED HARDWARE KIT, 5554272-1, FOR USE WITH PART NUMBER 5553811-3 &-4. HARDWARE KIT IS SHOWN FOR REFERENCE ONLY.
- 9 EMI SHIELD IS ASSEMBLED TO CONNECTOR BEFORE SHIPMENT.
- 10 FOR IEEE APPLICATION DIM A SHALL BE .192 ± .003.
- 11 PANEL THICKNESS RANGE: .062 MAX.
- 12 STAINLESS STEEL SCREWS RECOMMENDED BECAUSE OF CONTACT WITH SOLDER BATH.
- 13 HOLES TO BE TAPPED AFTER PLATING.



STANDARD	.157	.126 ± .003	4-40 UNC-2B	REVERSE	B	5553811-4
STANDARD	.157	.126 ± .003	4-40 UNC-2B	STANDARD	A	5553811-3
IEEE-488	.157	.152 ± .003	6-32 UNC-2B	REVERSE	B	5553811-2
IEEE-488	.157	.152 ± .003	6-32 UNC-2B	STANDARD	A	5553811-1
APPLICATION	BIM B	DIM A	SHIELD HOLE SIZE	ORIENTAION	DETAIL	PART NUMBER

THIS DRAWING IS A CONTROLLED DOCUMENT.

DIMENSIONS: INCHES	TOLERANCES UNLESS OTHERWISE SPECIFIED:	DIN	22AUG05	TE Connectivity NAME: ASSEMBLY, EMI RECEPTACLE, 24 POSITION, SCREW LOCK, W/ GROUNDING BRACKET, RIGHT ANGLE, CHAMP APPLICATION SPEC: --- SIZE: A1 CAGE CODE: 00779 DRAWING NO: 5553811 RESTRICTED TO: ---
0 PLC	± -	BY	22AUG05	
1 PLC	± -	CHK	22AUG05	
2 PLC	± -	APPV	22AUG05	
3 PLC	± -			SCALE: 2:1
4 PLC	± -			SHEET 1 OF 1
ANGLES	± -			REV C1
MATERIAL	FINISH	CUSTOMER DRAWING		