



Chipsmall Limited consists of a professional team with an average of over 10 year of expertise in the distribution of electronic components. Based in Hongkong, we have already established firm and mutual-benefit business relationships with customers from,Europe,America and south Asia,supplying obsolete and hard-to-find components to meet their specific needs.

With the principle of “Quality Parts,Customers Priority,Honest Operation,and Considerate Service”,our business mainly focus on the distribution of electronic components. Line cards we deal with include Microchip,ALPS,ROHM,Xilinx,Pulse,ON,Everlight and Freescale. Main products comprise IC,Modules,Potentiometer,IC Socket,Relay,Connector.Our parts cover such applications as commercial,industrial, and automotives areas.

We are looking forward to setting up business relationship with you and hope to provide you with the best service and solution. Let us make a better world for our industry!



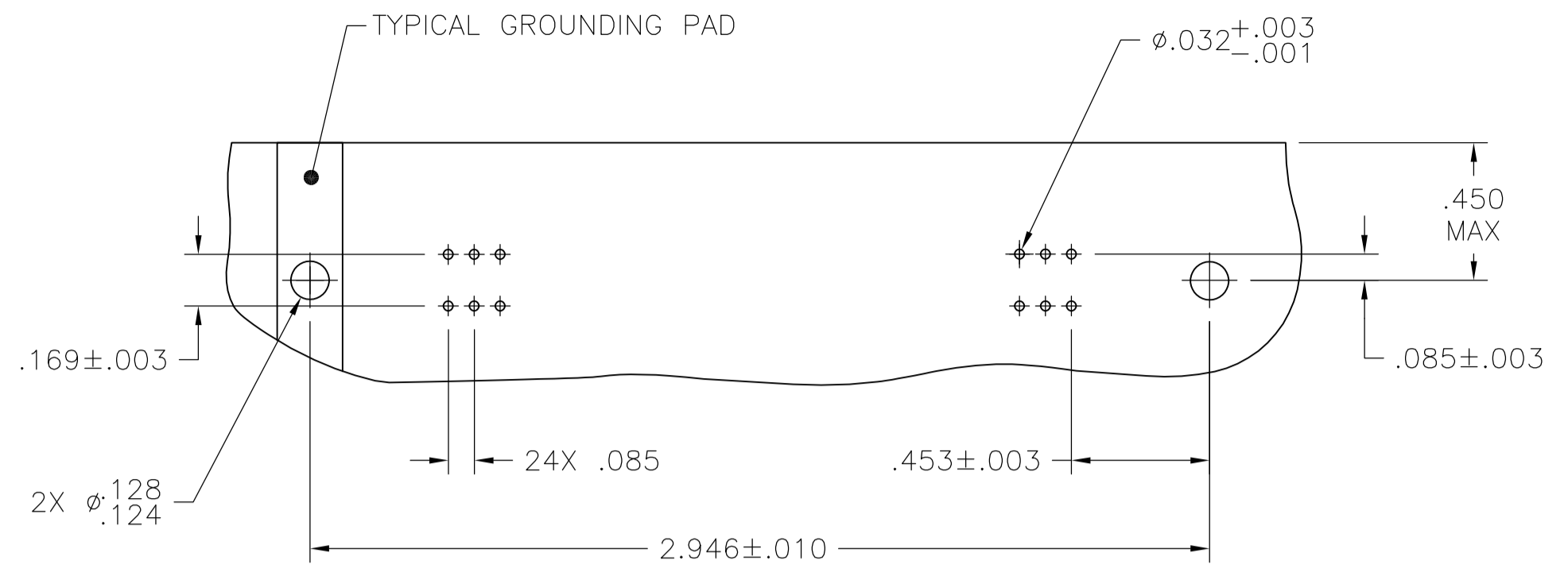
Contact us

Tel: +86-755-8981 8866 Fax: +86-755-8427 6832

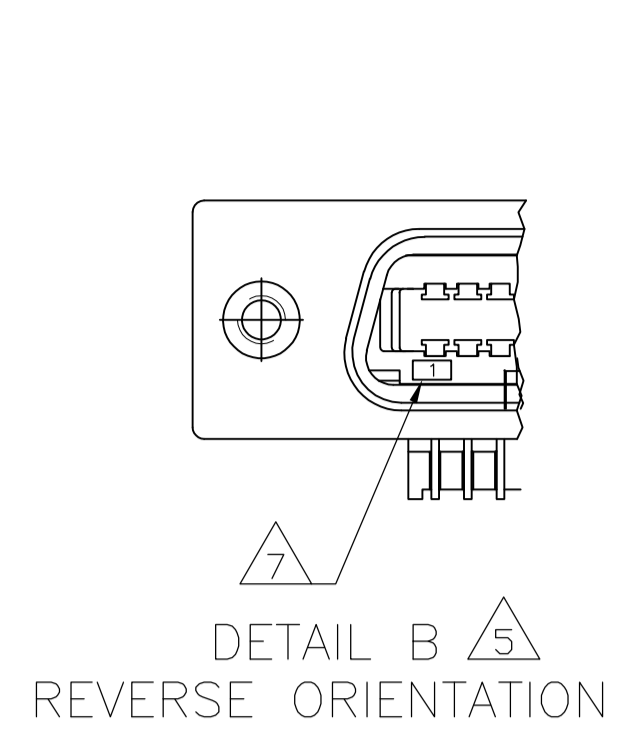
Email & Skype: info@chipsmall.com Web: www.chipsmall.com

Address: A1208, Overseas Decoration Building, #122 Zhenhua RD., Futian, Shenzhen, China

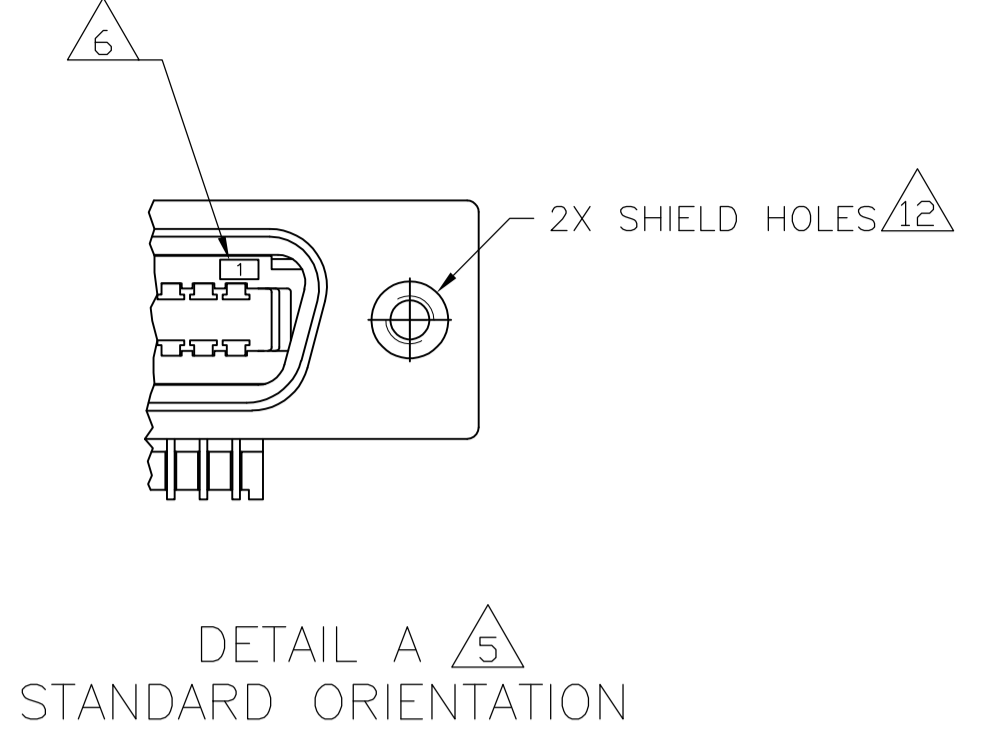




SUGGESTED PRINTED CIRCUIT BOARD MOUNTING DIMENSIONS

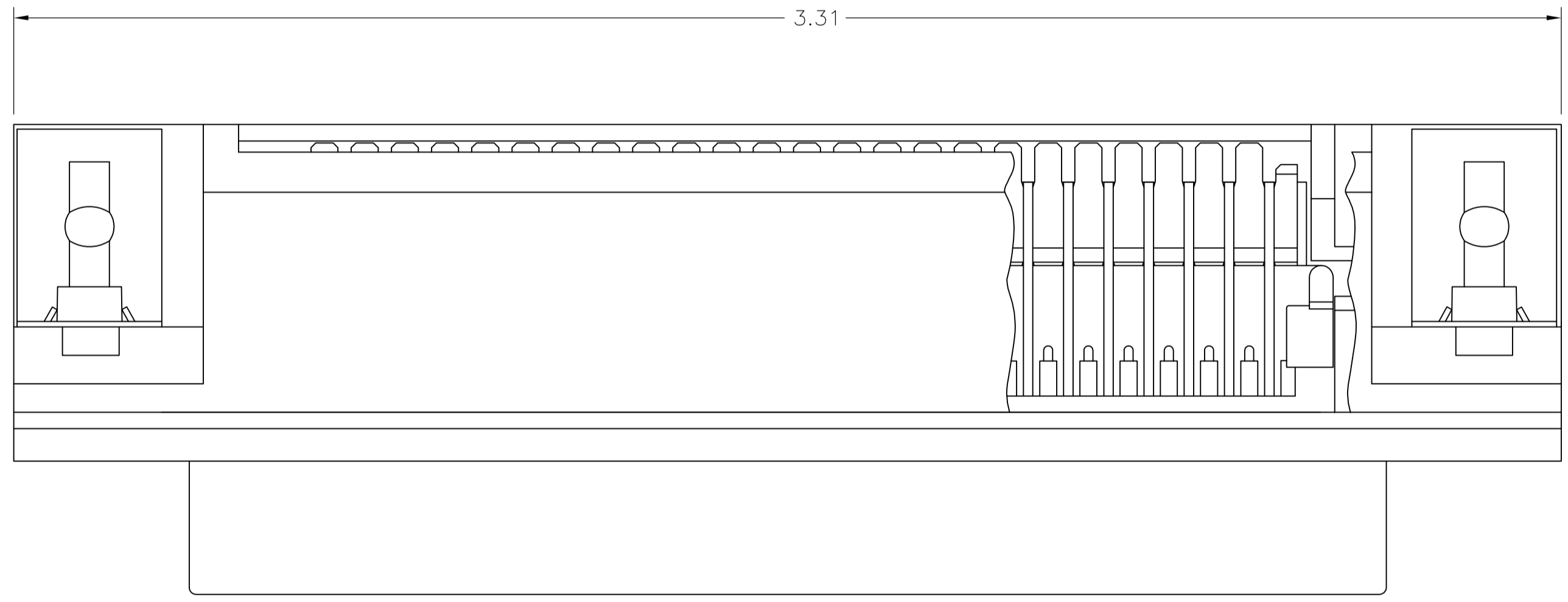


DETAIL B REVERSE ORIENTATION

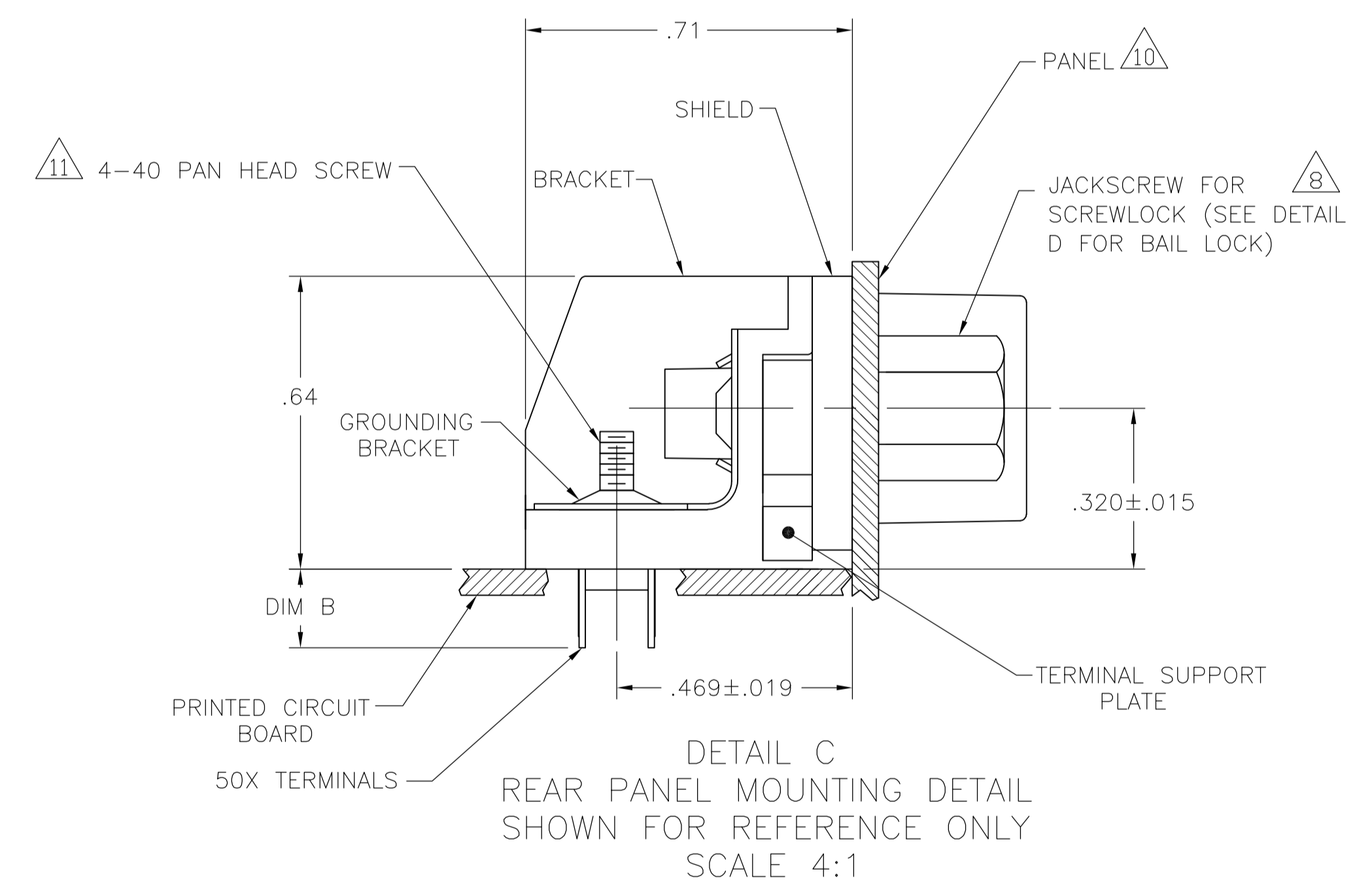
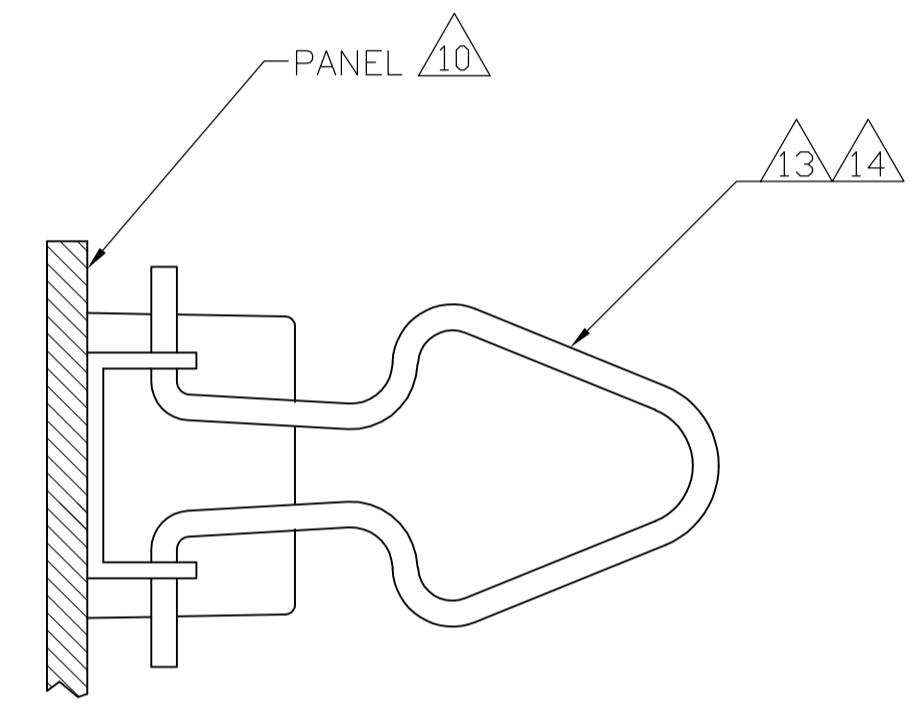


DETAIL A STANDARD ORIENTATION

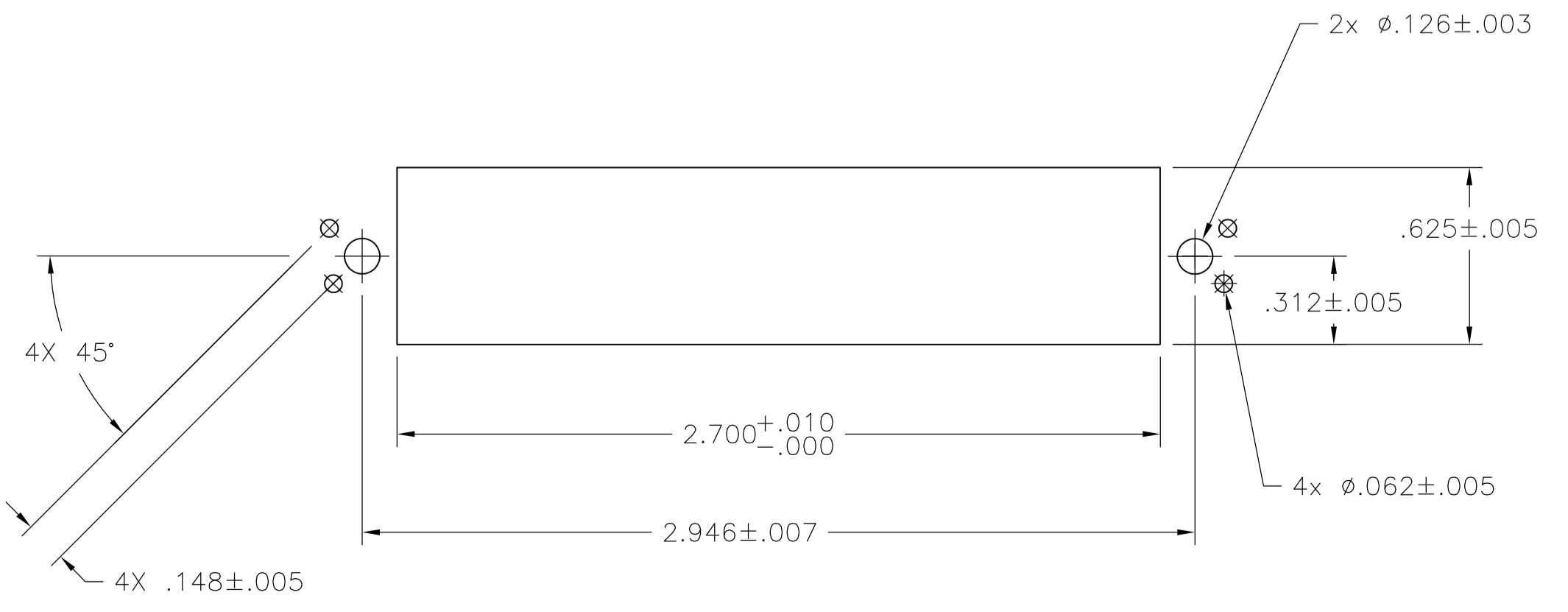
- 1 MATERIAL:
HOUSING, BRACKET, ADAPTER COMB AND TERMINAL SUPPORT PLATE: POLYESTER.
MOLDING COMPOUND: UL94V-0 RATING, BLACK.
SHIELD: BRIGHT NICKEL OVER COPPER, PLATED DIE CASTING,
TERMINALS - HIGH STRENGTH COPPER ALLOY PLATED WITH EITHER .000030 MIN GOLD PLATE OR GOLD FLASH OVER PALLADIUM NICKEL PLATE, .000030 MIN TOTAL ON MATING SURFACE. .000120 MIN TIN PLATE ON TAILS. ALL OVER .000050 MIN NICKEL UNDERPLATE OVER ENTIRE TERMINAL.
- 2. THE CONTACT SURFACES OF THE TERMINALS ARE COATED WITH LUBRICANT.
- 3. CENTER-TO-CENTER SPACING OF TERMINALS IS .085 NOMINAL.
- 4. ALL DIMENSIONS SHOWN ARE MAXIMUM UNLESS OTHERWISE SPECIFIED.
- 5 DETAILS A & B ARE VIEWED FROM MATING SIDE OF RECEPTACLE ASSEMBLY.
- 6 TERMINAL 1 IS LOCATED IN THIS ROW FOR STANDARD ORIENTATION.
- 7 TERMINAL 1 IS LOCATED IN THIS ROW FOR REVERSE ORIENTATION.
- 8 SCREWS SHOWN FOR REFERENCE ONLY, RECOMMENDED HARDWARE KIT 5554272-1 FOR USE WITH PART NUMBER 5553813-3 & 4. WHEN SCREW LOCK FEATURE IS REQUIRED.
- 9. SHIELD IS ASSEMBLED TO CONNECTOR BEFORE SHIPMENT.
- 10 PANEL THICKNESS RANGE: .062 MAX.
- 11 STAINLESS STEEL SCREWS RECOMMENDED, BECAUSE OF CONTACT WITH SOLDER BATH.
- 12 HOLES TO BE TAPPED AFTER PLATING.
- 13 USE HARDWARE KIT 554818-2 FOR PART NUMBERS 5553813-3 & 4. WHEN BAIL LOCK FEATURE IS REQUIRED.
- 14 THE BAIL LOCK FEATURE HAS APPLICATION FOR SMALL COMPUTER SYSTEMS INTERFACE (SCSI).



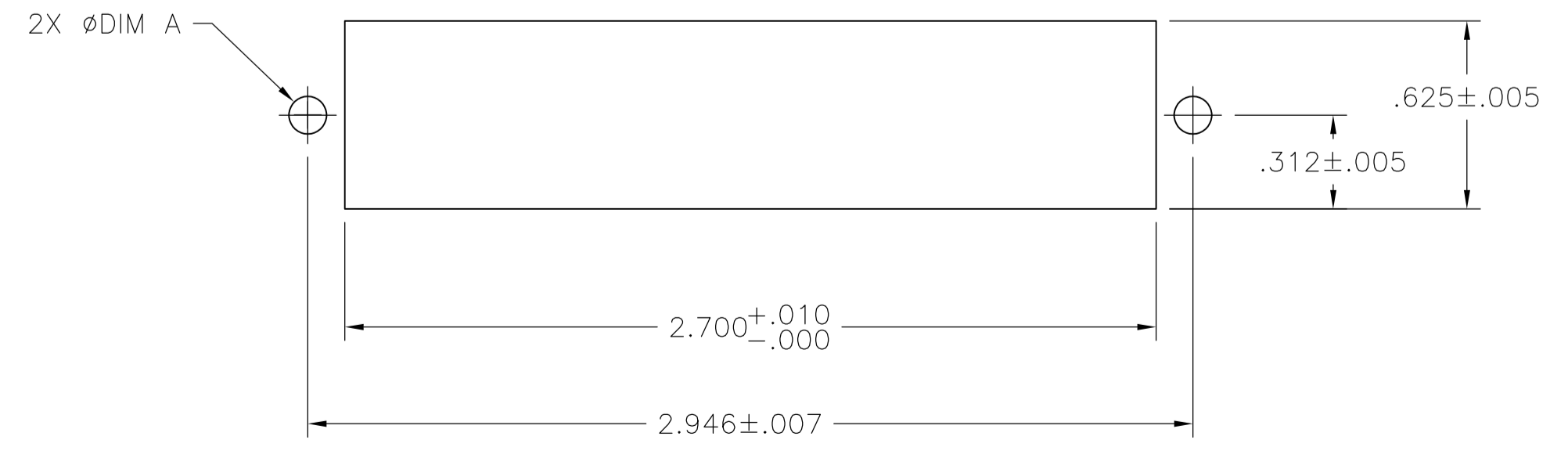
DETAIL D SAME AS DETAIL C EXCEPT FOR BAIL LOCK FEATURE (SCSI) SCALE 4:1



DETAIL C REAR PANEL MOUNTING DETAIL SHOWN FOR REFERENCE ONLY SCALE 4:1



SUGGESTED PANEL CUTOUT FOR BAIL LOCK FEATURE (SCSI)



SUGGESTED PANEL CUTOUT FOR SCREW LOCK FEATURE

.157±.015	.126±.003	4-40 UNC-2B	REVERSE	B	5553813-4
.157±.015	.126±.003	4-40 UNC-2B	STANDARD	A	5553813-3
DIM B TERMINALS	DIM A HOLE	SHIELD HOLE SIZE	ORIENTATION	DETAIL	PART NUMBER

THIS DRAWING IS A CONTROLLED DOCUMENT.		DIN B MCMASTER 10AUG05	Tyco Electronics Corporation Harrisburg, PA 17105-3608	
DIMENSIONS: INCHES	TOLERANCES UNLESS OTHERWISE SPECIFIED:	0 PLC ± -	1 PLC ± -	2 PLC ± -
3 PLC ± -	4 PLC ± -	ANGLES ± -	APVD W. W. MILLHIMES 10AUG05	
MATERIAL 1		FINISH 1	NAME	RESTRICTED TO
		WEIGHT	SIZE	SCALE
		CUSTOMER DRAWING	A1 00779	2:1
			5553813	SHEET 1 OF 1