



Chipsmall Limited consists of a professional team with an average of over 10 year of expertise in the distribution of electronic components. Based in Hongkong, we have already established firm and mutual-benefit business relationships with customers from,Europe,America and south Asia,supplying obsolete and hard-to-find components to meet their specific needs.

With the principle of “Quality Parts,Customers Priority,Honest Operation,and Considerate Service”,our business mainly focus on the distribution of electronic components. Line cards we deal with include Microchip,ALPS,ROHM,Xilinx,Pulse,ON,Everlight and Freescale. Main products comprise IC,Modules,Potentiometer,IC Socket,Relay,Connector.Our parts cover such applications as commercial,industrial, and automotives areas.

We are looking forward to setting up business relationship with you and hope to provide you with the best service and solution. Let us make a better world for our industry!



Contact us

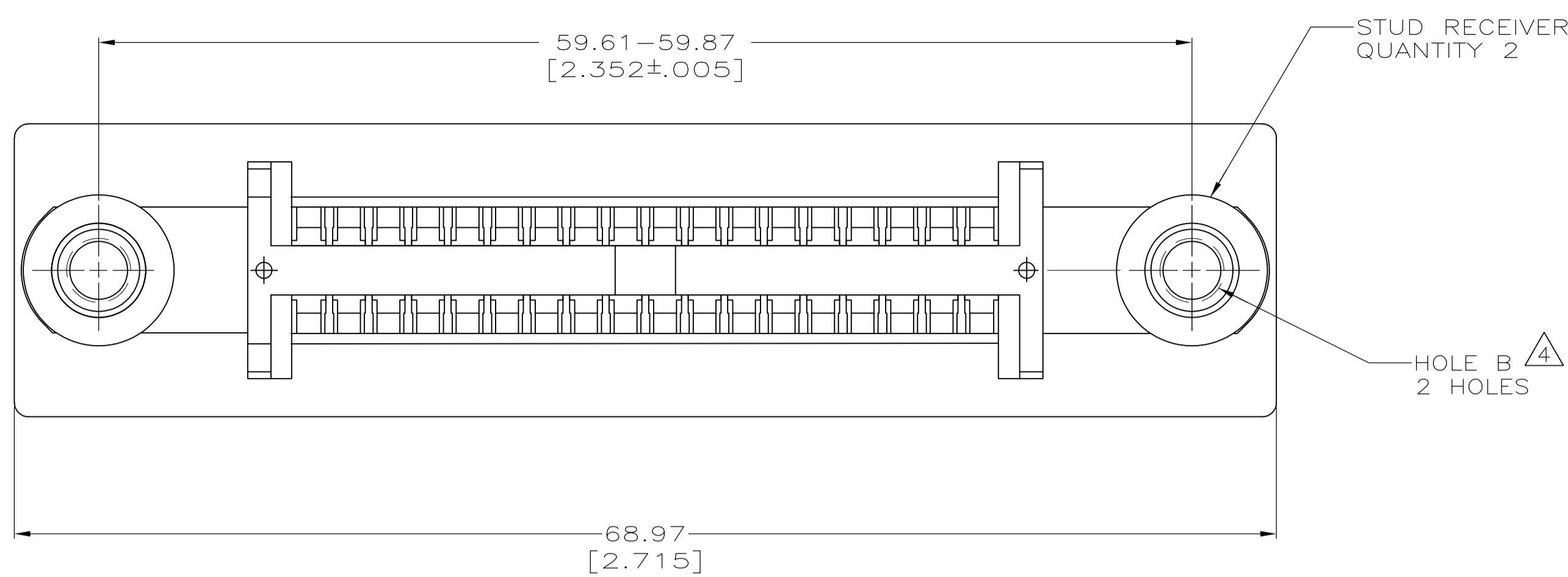
Tel: +86-755-8981 8866 Fax: +86-755-8427 6832

Email & Skype: info@chipsmall.com Web: www.chipsmall.com

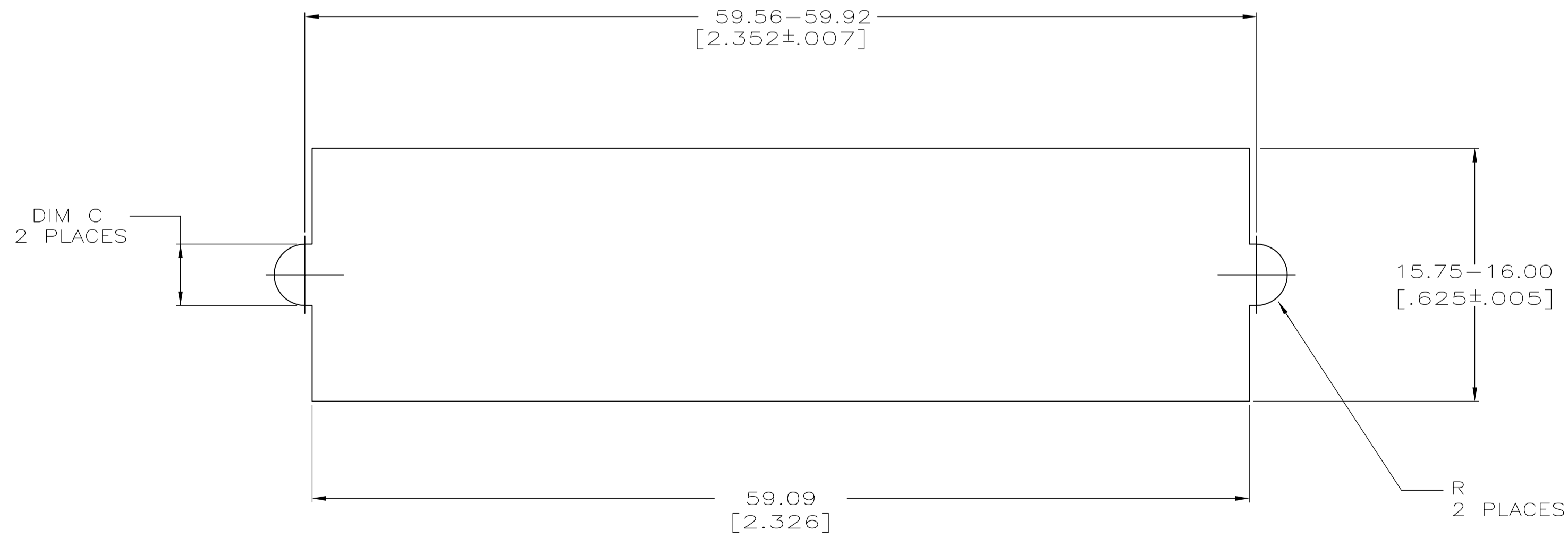
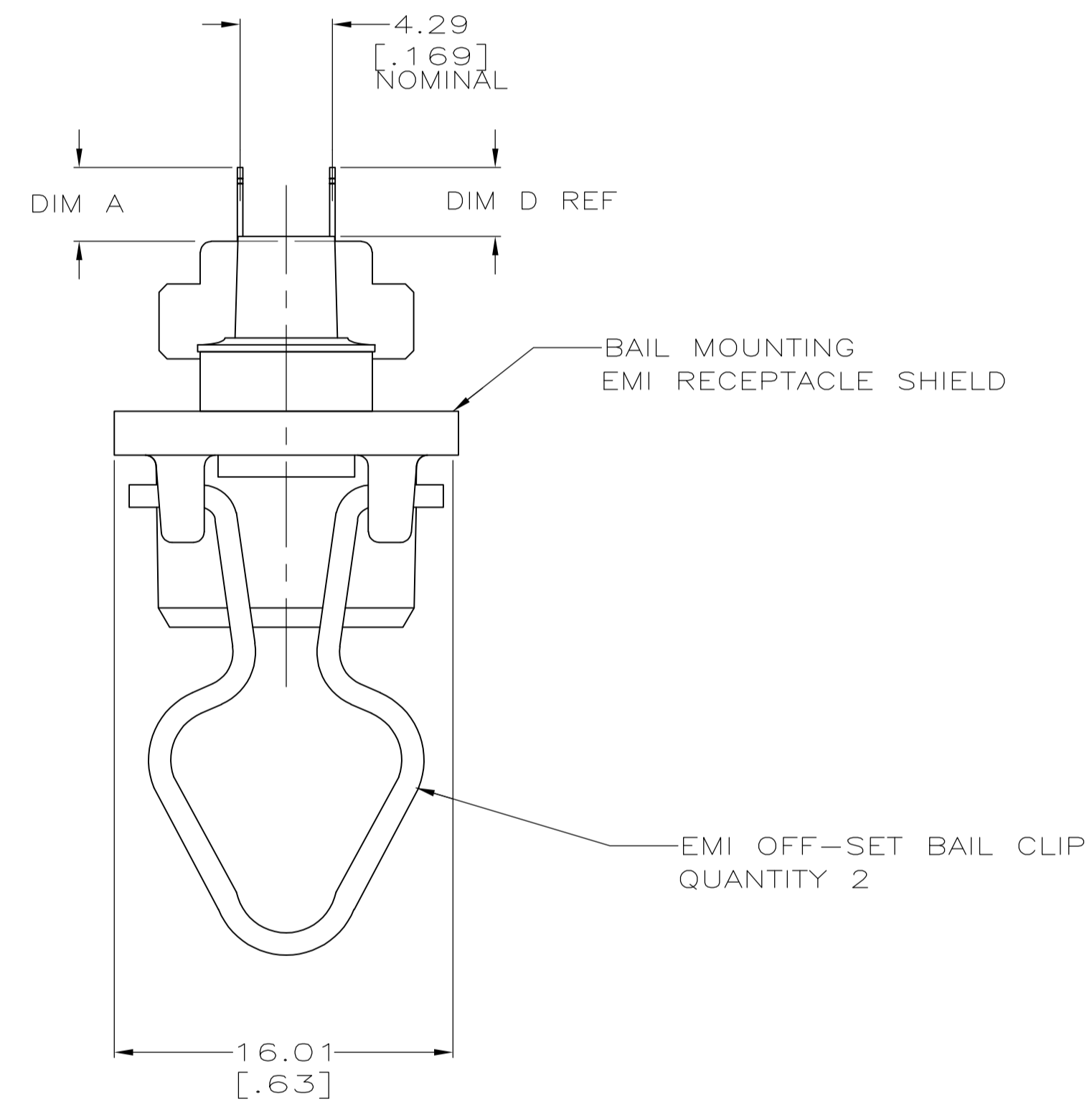
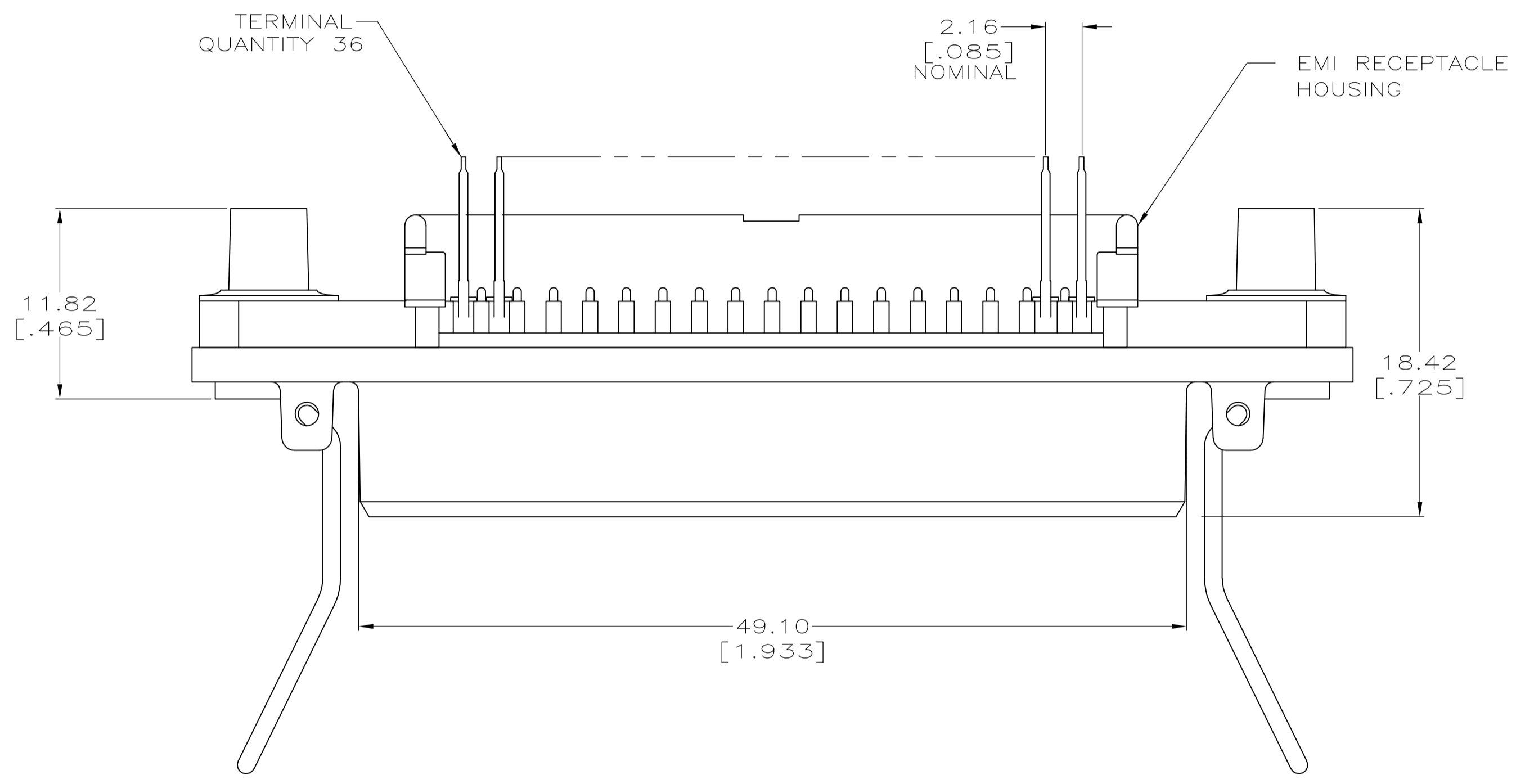
Address: A1208, Overseas Decoration Building, #122 Zhenhua RD., Futian, Shenzhen, China



LOC		DIST		REVISIONS			
P	LTR	DESCRIPTION	DATE	DWN	APPD		
B		REVISED PER ECO-08-007327	22JUL08	BM	WM		



- 1. DIMENSIONS ARE MAXIMUM UNLESS OTHERWISE SPECIFIED.
- 2. THE CONTACT SURFACES OF THE TERMINALS ARE COATED WITH LUBRICANT.
- 3. MATERIAL: HOUSING - POLYESTER, BLACK.
 TERMINAL - PHOS BRONZE PLATED WITH EITHER 0.76μm [.000030] MINIMUM GOLD PLATE OR GOLD FLASH OVER PALLADIUM NICKEL PLATE, 0.76μm [.000030] MINIMUM TOTAL ON MATING SURFACE. 3.05μm [.000120] MINIMUM TIN PLATE ON TAILS OVER 1.27μm [.000050] MINIMUM NICKEL UNDERPLATE OVER ENTIRE TERMINAL.
 STUD RECEIVER - STAINLESS STEEL
 SHIELD - NICKEL PLATED ZINC DIE CASTING.
 BAIL CLIP - STAINLESS STEEL.
- 4. HOLES TO BE TAPPED AFTER PLATING.



SUGGESTED REAR PANEL CUTOUT DIMENSIONS

4.70 [.185]	Ø3.79±0.08 [Ø.149±.003]	5.47 [.215]	4-40UNC-2B	5554145-4
DIM. D	DIM. C	DIM. A	HOLE B	PART NUMBER
THIS DRAWING IS A CONTROLLED DOCUMENT.				
DWN: B. LATTUCA 12AUG05		Tyco Electronics Corporation		
CHK: W. MILLHIMES 12AUG05		Harrisburg, PA 17105-3608		
APPR: M. WALMSLEY 12AUG05		NAME		
PRODUCT SPEC		RECEPTACLE ASSEMBLY, 36 POSITION, VERTICAL MOUNTING, SHIELDED, BAIL LOCK, CHAMP-LOK		
APPLICATION SPEC		SIZE CAGE CODE DRAWING NO		
MATERIAL		A1 00779		5554145
FINISH		CUSTOMER DRAWING		SCALE 4:1 SHEET 1 OF 1 REV B