



Chipsmall Limited consists of a professional team with an average of over 10 year of expertise in the distribution of electronic components. Based in Hongkong, we have already established firm and mutual-benefit business relationships with customers from,Europe,America and south Asia,supplying obsolete and hard-to-find components to meet their specific needs.

With the principle of “Quality Parts,Customers Priority,Honest Operation,and Considerate Service”,our business mainly focus on the distribution of electronic components. Line cards we deal with include Microchip,ALPS,ROHM,Xilinx,Pulse,ON,Everlight and Freescale. Main products comprise IC,Modules,Potentiometer,IC Socket,Relay,Connector.Our parts cover such applications as commercial,industrial, and automotives areas.

We are looking forward to setting up business relationship with you and hope to provide you with the best service and solution. Let us make a better world for our industry!



## Contact us

Tel: +86-755-8981 8866 Fax: +86-755-8427 6832

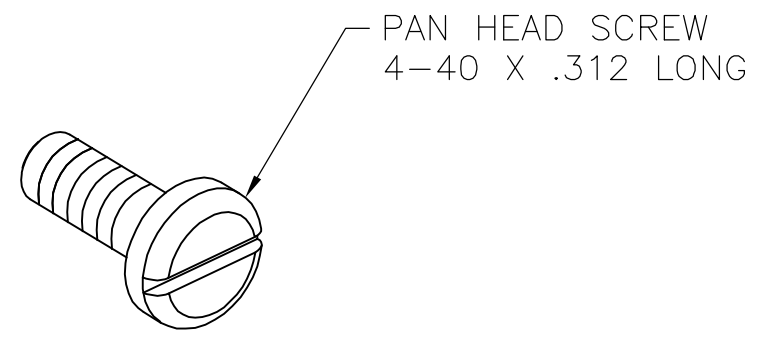
Email & Skype: info@chipsmall.com Web: www.chipsmall.com

Address: A1208, Overseas Decoration Building, #122 Zhenhua RD., Futian, Shenzhen, China



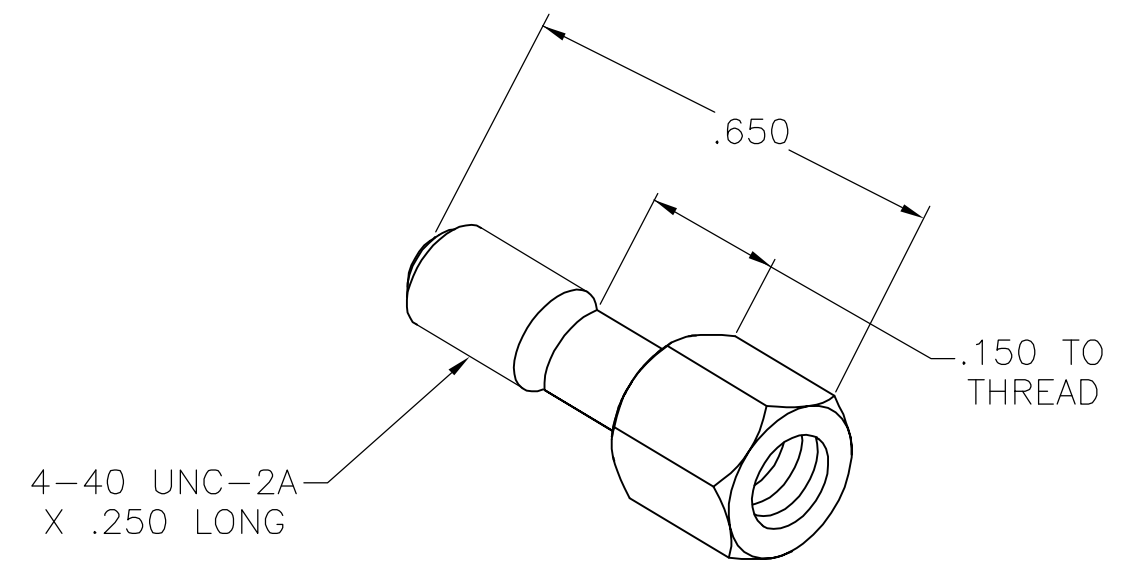
THIS DRAWING IS UNPUBLISHED. RELEASED FOR PUBLICATION  
 © COPYRIGHT - BY TYCO ELECTRONICS CORPORATION. ALL RIGHTS RESERVED.

LOC	DIST	REVISIONS			
P	LTR	DESCRIPTION	DATE	DWN	APVD
	0	RELEASED PER EC OS13-0288-05	10OCT05	BM	WM



1. ALL DIMENSIONS SHOWN ARE FOR REFERENCE ONLY UNLESS OTHERWISE SPECIFIED.
2. TWO PIECES OF EACH REQUIRED PER KIT.
3. ALL HARDWARE SHIPPED UNASSEMBLED.

△ 4 MATERIAL:  
 MOUNTING STUD: ZINC PLATE WITH YELLOW TRIVALENT CHROMATE OVER STEEL.  
 PAN HEAD SCREW: PASSIVATED STAINLESS STEEL.



5554272-1  
 PART NUMBER

THIS DRAWING IS A CONTROLLED DOCUMENT.		DWN B. MCMASTER	10OCT05	Tyco Electronics Corporation Harrisburg, PA 17105-3608	
DIMENSIONS: INCHES		CHK W. MILLHIMES	10OCT05		
		APVD W. MILLHIMES	10OCT05	NAME EMI HARDWARE KIT, PRE ASSEMBLED, RIGHT ANGLE, 4-40, SCREW LOCK	
TOLERANCES UNLESS OTHERWISE SPECIFIED:		PRODUCT SPEC		SIZE A3	
0 PLC ± -		APPLICATION SPEC		CAGE CODE 00779	DRAWING NO G-5554272
1 PLC ± -		WEIGHT	-	RESTRICTED TO -	
2 PLC ± -		CUSTOMER DRAWING			
3 PLC ± -		SCALE 2:1		SHEET 1 of 1	
4 PLC ± -		REV 0			
ANGLES ± -					
FINISH					
MATERIAL △ 4					