



Chipsmall Limited consists of a professional team with an average of over 10 year of expertise in the distribution of electronic components. Based in Hongkong, we have already established firm and mutual-benefit business relationships with customers from,Europe,America and south Asia,supplying obsolete and hard-to-find components to meet their specific needs.

With the principle of “Quality Parts,Customers Priority,Honest Operation,and Considerate Service”,our business mainly focus on the distribution of electronic components. Line cards we deal with include Microchip,ALPS,ROHM,Xilinx,Pulse,ON,Everlight and Freescale. Main products comprise IC,Modules,Potentiometer,IC Socket,Relay,Connector.Our parts cover such applications as commercial,industrial, and automotives areas.

We are looking forward to setting up business relationship with you and hope to provide you with the best service and solution. Let us make a better world for our industry!



Contact us

Tel: +86-755-8981 8866 Fax: +86-755-8427 6832

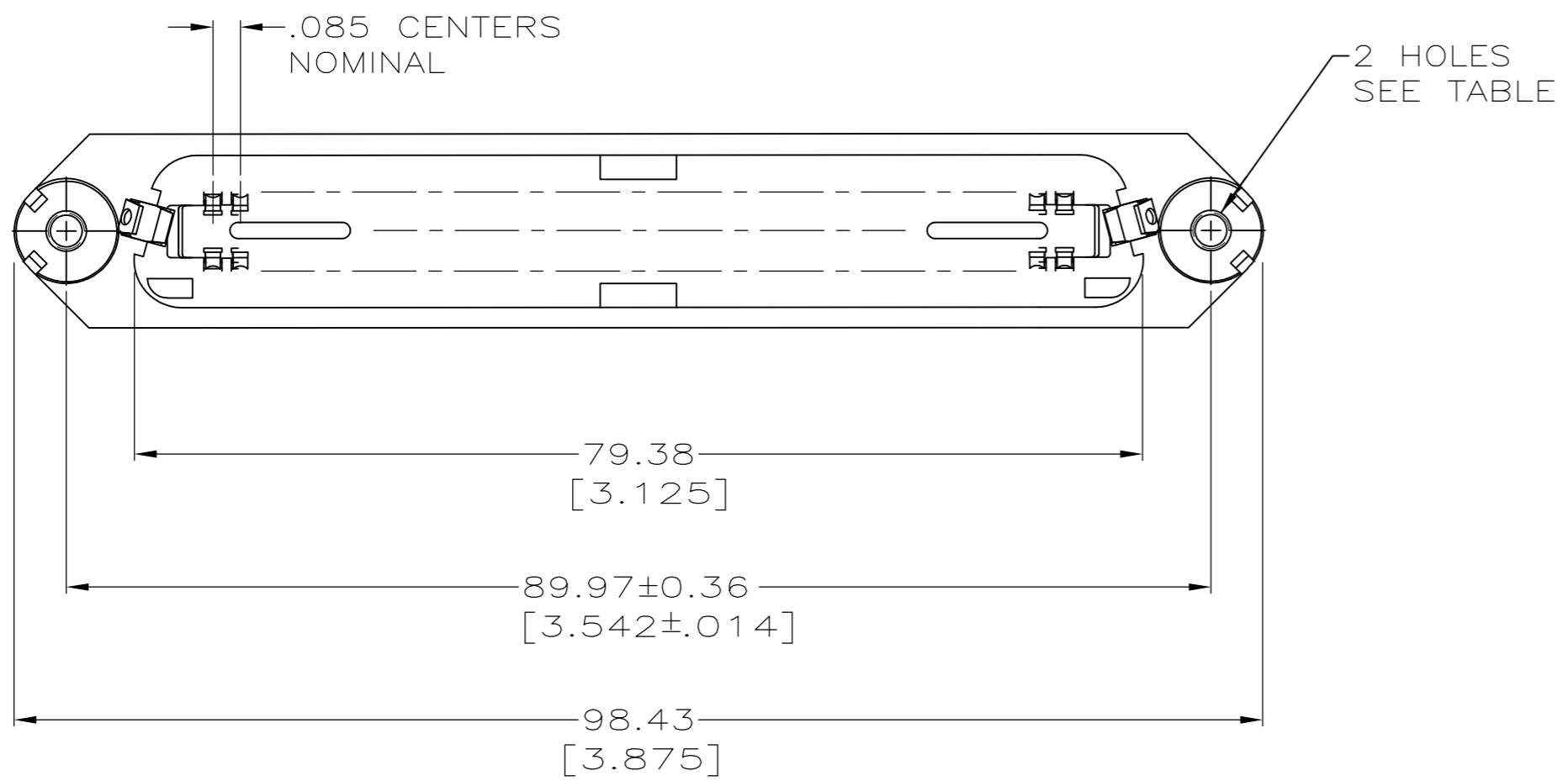
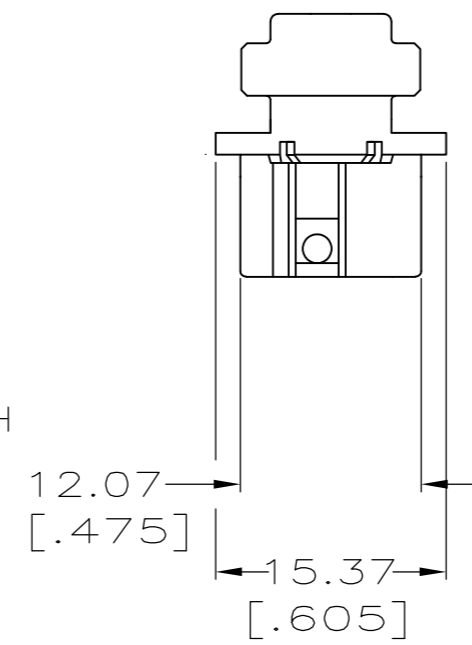
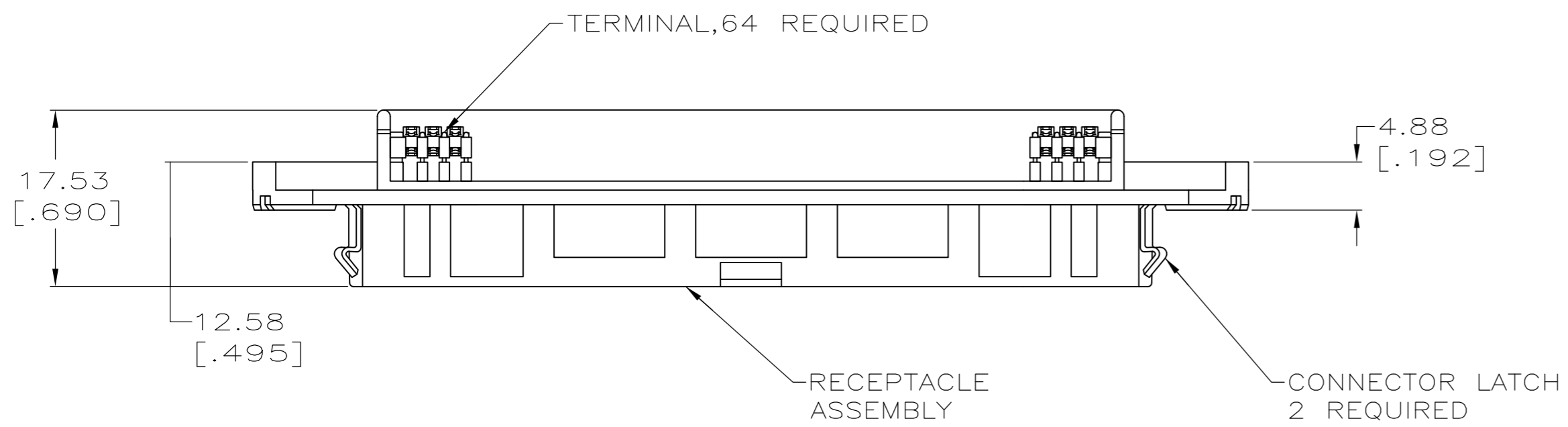
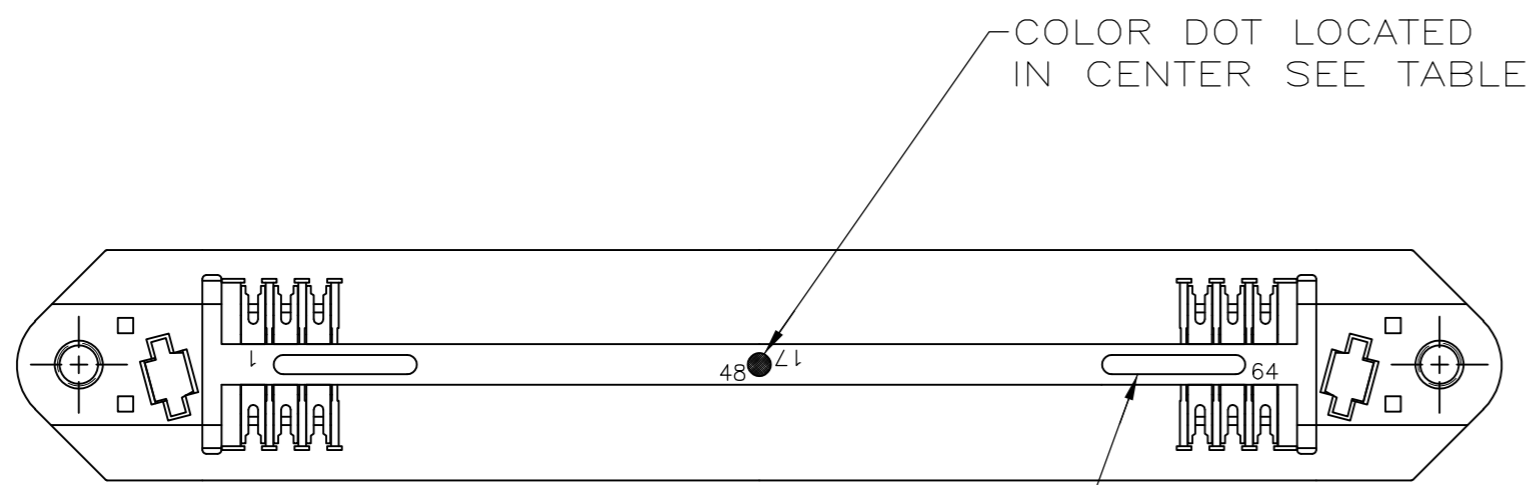
Email & Skype: info@chipsmall.com Web: www.chipsmall.com

Address: A1208, Overseas Decoration Building, #122 Zhenhua RD., Futian, Shenzhen, China



THIS DRAWING IS UNPUBLISHED. RELEASED FOR PUBLICATION
 © COPYRIGHT 2005 BY TYCO ELECTRONICS CORPORATION. ALL RIGHTS RESERVED.

LOC	DIST	REVISIONS			
P	LTR	DESCRIPTION	DATE	DWN	APVD
GP	00	B	REVISED PER ECO-08-007327	02OCT08	BM WM



- 1 MATERIAL: HOUSING - POLYPHENYLENE OXIDE. TERMINAL - HIGH STRENGTH COPPER ALLOY PLATED WITH 0.76µm [.000030] MIN GOLD OR GOLD FLASH OVER PALLADIUM NICKEL PLATE, 0.76µm [.000030] MIN TOTAL ON MATING SURFACE, OVER 1.27µm [.000050] MIN NICKEL PLATING. LATCH - BRIGHT ZINC PLATED STEEL.
- 2 THE CONTACT SURFACES OF THE TERMINALS ARE COATED WITH LUBRICANT.
- 3 ALL DIMENSIONS SHOWN ARE MAXIMUM UNLESS OTHERWISE SPECIFIED.
- 4 WIRE SIZE: 24 & 26 AWG SOLID OR 24 AWG 7 STRANDS OF COPPER CONDUCTORS. MAXIMUM INSULATION DIAMETER OF .045 IS ACCEPTABLE FOR MOST APPLICATIONS.
- 5 WIRE SIZE: 22 AWG SOLID OR STRANDED COPPER CONDUCTORS. MAXIMUM INSULATION DIA. OF .056 IS ACCEPTABLE FOR MOST APPLICATIONS.
- 6 CORING MAY OR MAY NOT APPEAR AND IS AT THE DISCRETION OF AMP INCORPORATED.

Ø.182 - Ø.192	BLUE	B	4	BLACK	1-5554381-0
#4-40UNC-2B	BLUE	B	4	BLACK	5554381-2
HOLE SIZE	COLOR DOT	SLOT SIZE	COLOR	PART NUMBER	
THIS DRAWING IS A CONTROLLED DOCUMENT.		DWN G.PETERS 28SEP05	Tyco Electronics Corporation Harrisburg, Pa 17105-3608		
DIMENSIONS: mm [INCHES]		CHK W.MILLHIMES 28SEP05	NAME		
TOLERANCES UNLESS OTHERWISE SPECIFIED:		APVD M.WALMSLEY 28SEP05	PRODUCT SPEC		
0 PLC ± -		APPLICATION SPEC			
1 PLC ± -		WEIGHT			
2 PLC ± -		SCALE			
3 PLC ± -		SHEET			
4 PLC ± -		REV			
ANGLES ± -		CUSTOMER DRAWING			
FINISH		SCALE 2:1 SHEET 1 OF 1 REV B			

5554381