



Chipsmall Limited consists of a professional team with an average of over 10 year of expertise in the distribution of electronic components. Based in Hongkong, we have already established firm and mutual-benefit business relationships with customers from,Europe,America and south Asia,supplying obsolete and hard-to-find components to meet their specific needs.

With the principle of “Quality Parts,Customers Priority,Honest Operation,and Considerate Service”,our business mainly focus on the distribution of electronic components. Line cards we deal with include Microchip,ALPS,ROHM,Xilinx,Pulse,ON,Everlight and Freescale. Main products comprise IC,Modules,Potentiometer,IC Socket,Relay,Connector.Our parts cover such applications as commercial,industrial, and automotives areas.

We are looking forward to setting up business relationship with you and hope to provide you with the best service and solution. Let us make a better world for our industry!



## Contact us

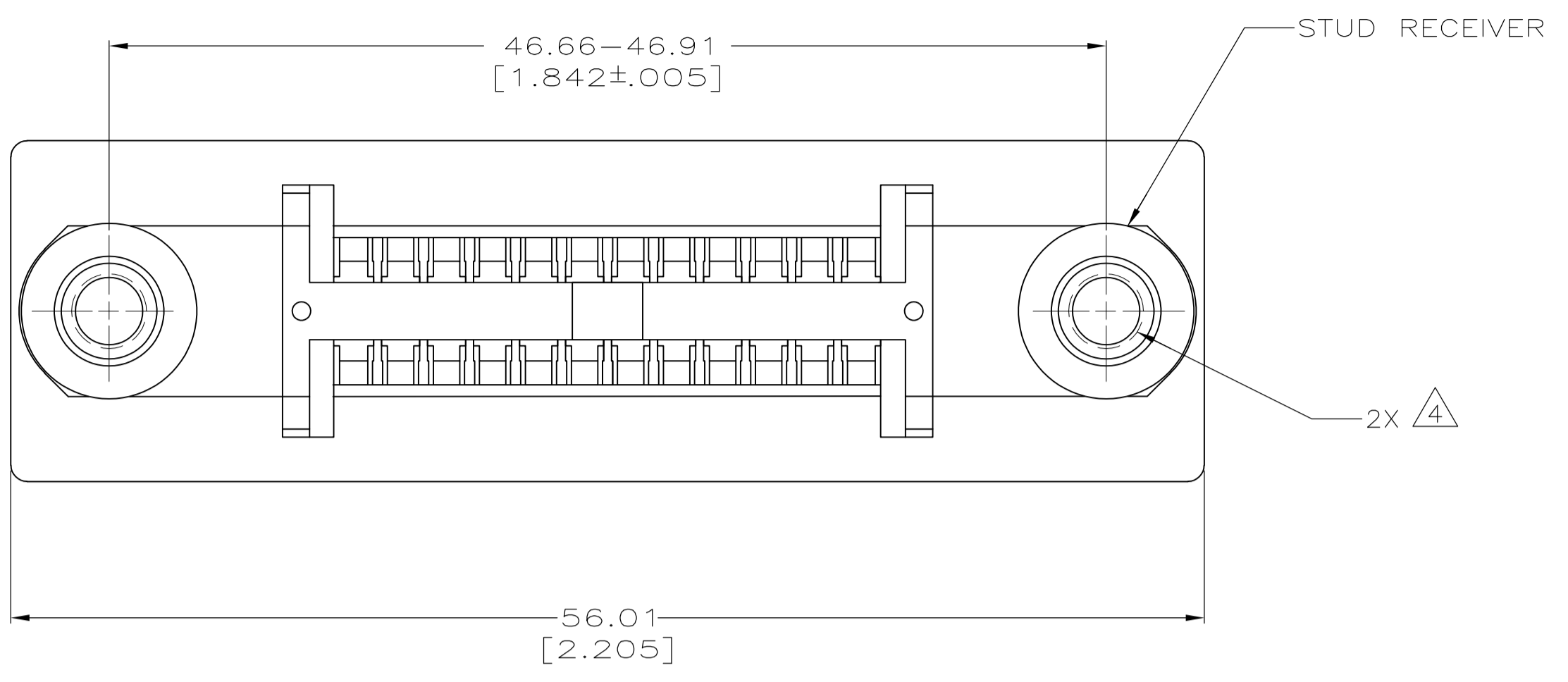
Tel: +86-755-8981 8866 Fax: +86-755-8427 6832

Email & Skype: info@chipsmall.com Web: www.chipsmall.com

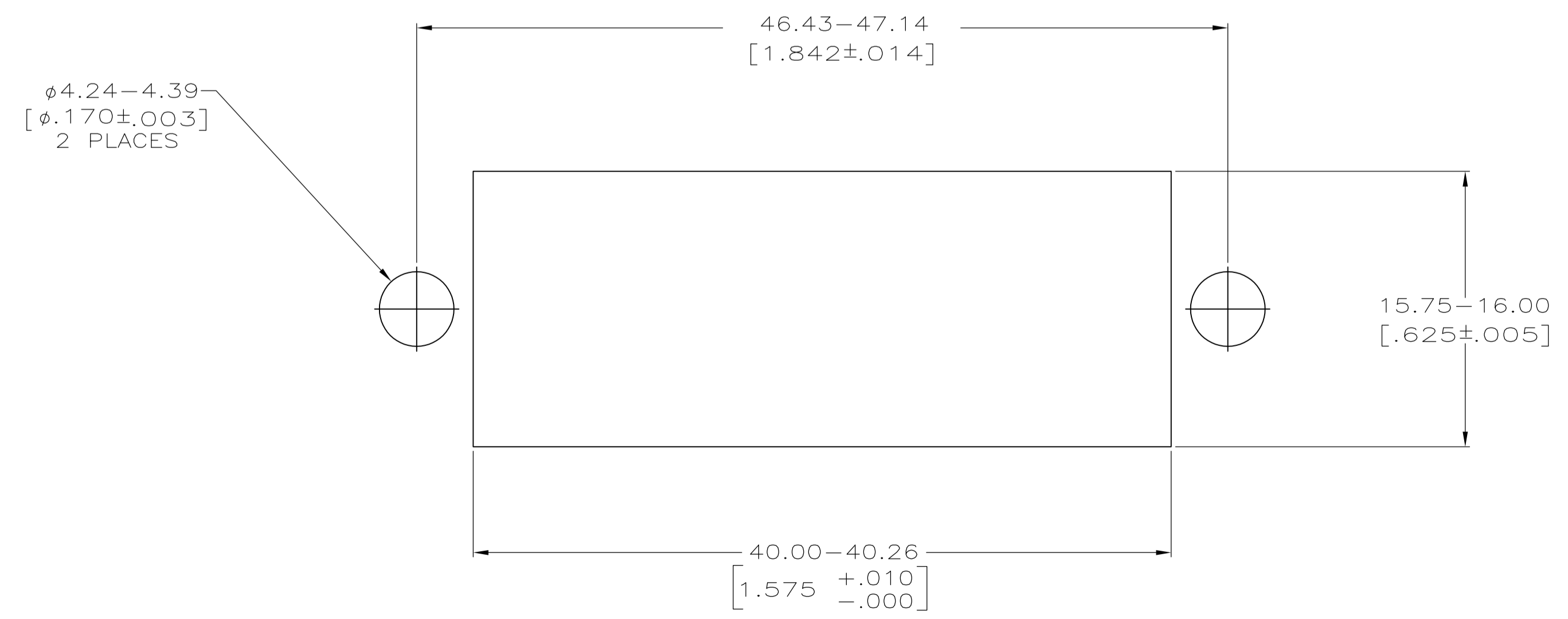
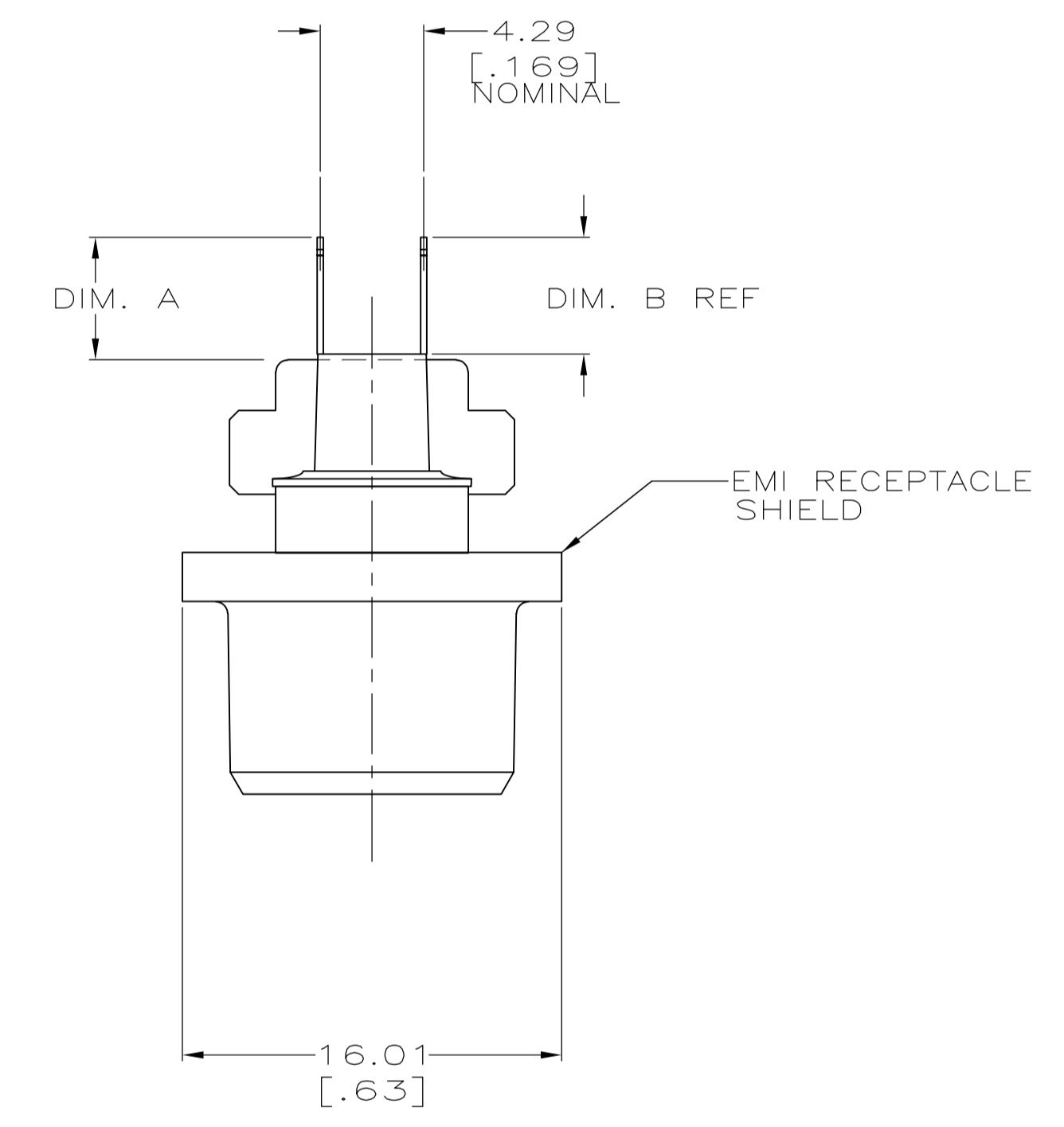
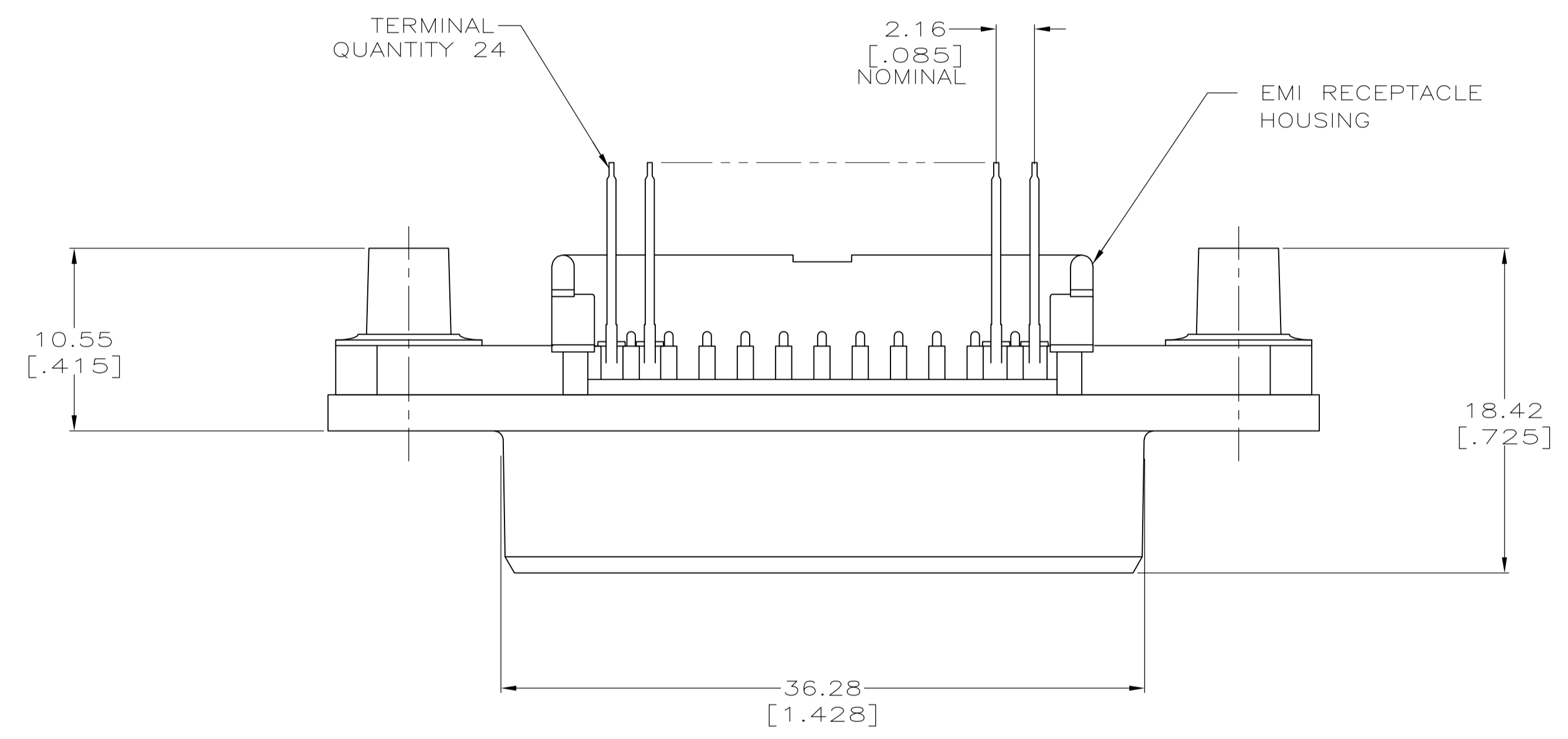
Address: A1208, Overseas Decoration Building, #122 Zhenhua RD., Futian, Shenzhen, China



LOC		DIST		REVISIONS			
GP	00	REV	DESCRIPTION	DATE	BY	CHK	APPV
B			REVISED PER ECO-08-007327	22JUL08	BM	WM	
B1			REVISED PER ECO-10-000444	19JAN10	KK	HMR	



- 1 ALL DIMENSIONS SHOWN ARE MAXIMUM UNLESS OTHERWISE SPECIFIED.
- 2 THE CONTACT SURFACES OF THE TERMINALS ARE COATED WITH LUBRICANT.
- 3 MATERIAL: HOUSING - POLYESTER, BLACK. TERMINAL - PHOS BRONZE PLATED WITH EITHER 0.76µm [.000030] MINIMUM GOLD PLATE OR GOLD FLASH OVER PALLADIUM NICKEL PLATE, 0.76µm [.000030] MINIMUM TOTAL ON MATING SURFACE. 3.05µm [.000120] MINIMUM TIN PLATE ON TAILS OVER 1.27µm [.000050] MINIMUM NICKEL UNDERPLATE OVER ENTIRE TERMINAL. STUD RECEIVER - STAINLESS STEEL. SHIELD - NICKEL PLATED ZINC DIE CASTING.
- 4 HOLES TO BE TAPPED AFTER PLATING.
- 5 OBSOLETE PARTS: OBSOLETE CIS STREAMLINING PER D.RENAUD/D.SINISI



SUGGESTED REAR PANEL CUTOUT DIMENSIONS

5 OBSOLETE	4-40 UNC-2B	3.05 [.120]	3.81 [.150]	5554501-3
	6-32 UNC-2B	4.70 [.185]	5.47 [.215]	5554501-2
	6-32 UNC-2B	3.05 [.120]	3.81 [.150]	5554501-1

THIS DRAWING IS A CONTROLLED DOCUMENT.

DIMENSIONS: mm [INCHES]	TOLERANCES UNLESS OTHERWISE SPECIFIED:	0 PLC ± -	1 PLC ± -	2 PLC ± -	3 PLC ± -	4 PLC ± -	ANGLES ± -
		1					

DIN B LATTUCA 11AUG05	Tyco Electronics Corporation Harrisburg, PA 17105-3608
CHK W. MILLHIMES 11AUG05	
APPV M. WALMSLEY 11AUG05	
NAME	RECEPTACLE ASSEMBLY, 24 POSITION, VERTICAL MOUNTING, SHIELDED, SCREW LOCK, CHAMP-LOK®
PRODUCT SPEC	
APPLICATION SPEC	
SIZE	A1
CAGE CODE	00779
DRAWING NO	5554501
RESTRICTED TO	
WEIGHT	
CUSTOMER DRAWING	

SCALE 4:1 SHEET 1 OF 1 REV B1