



Chipsmall Limited consists of a professional team with an average of over 10 year of expertise in the distribution of electronic components. Based in Hongkong, we have already established firm and mutual-benefit business relationships with customers from,Europe,America and south Asia,supplying obsolete and hard-to-find components to meet their specific needs.

With the principle of “Quality Parts,Customers Priority,Honest Operation,and Considerate Service”,our business mainly focus on the distribution of electronic components. Line cards we deal with include Microchip,ALPS,ROHM,Xilinx,Pulse,ON,Everlight and Freescale. Main products comprise IC,Modules,Potentiometer,IC Socket,Relay,Connector.Our parts cover such applications as commercial,industrial, and automotives areas.

We are looking forward to setting up business relationship with you and hope to provide you with the best service and solution. Let us make a better world for our industry!



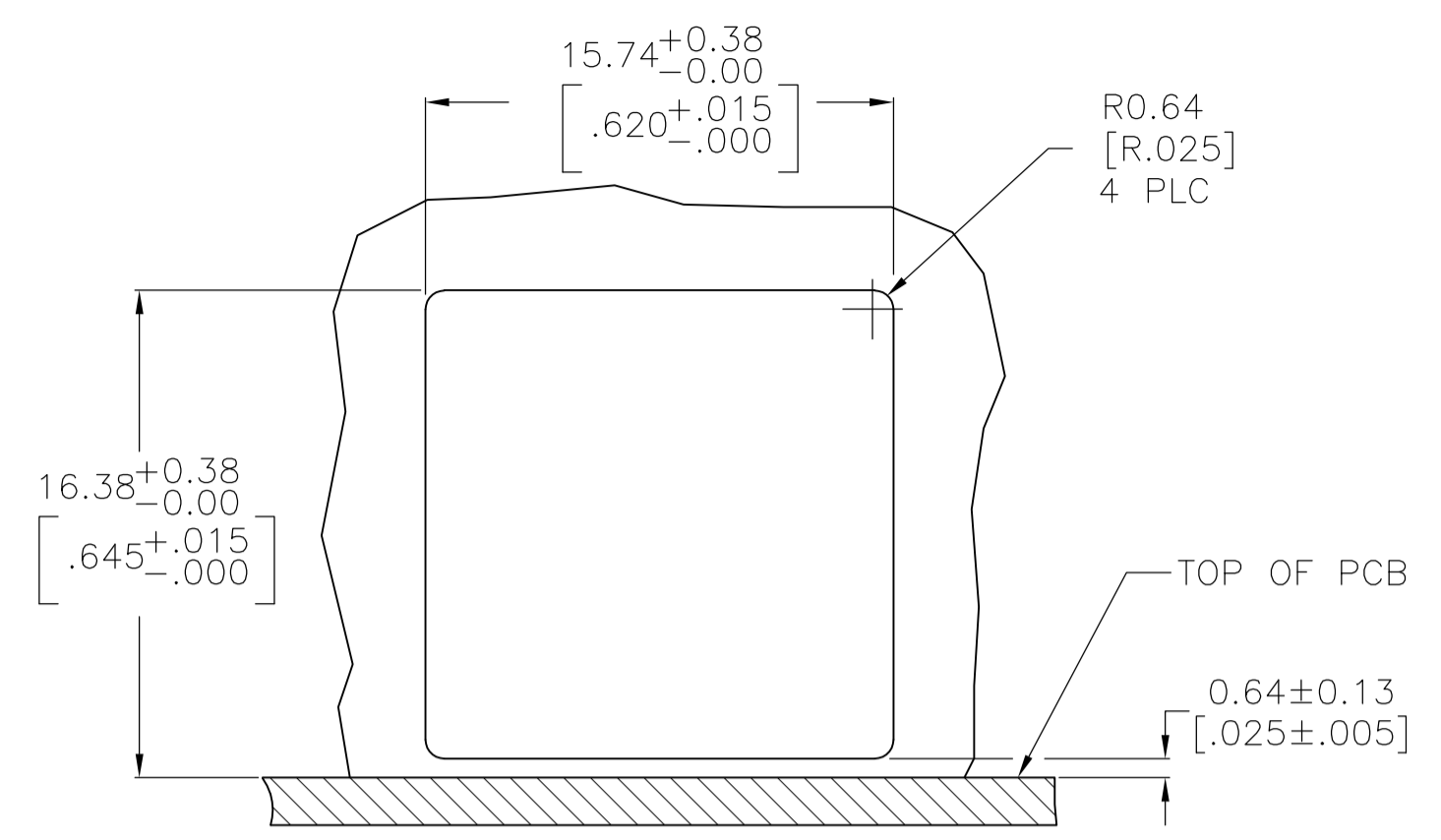
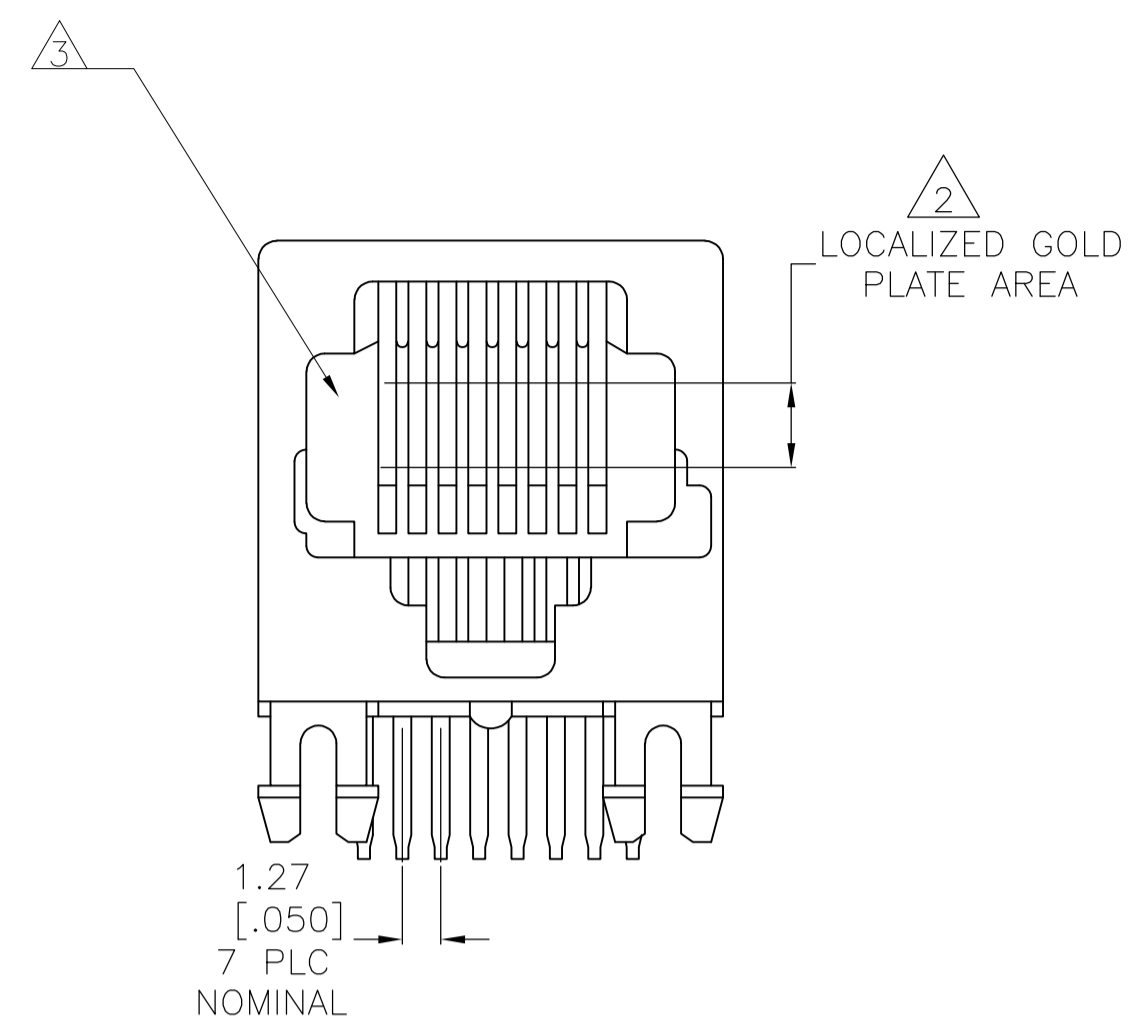
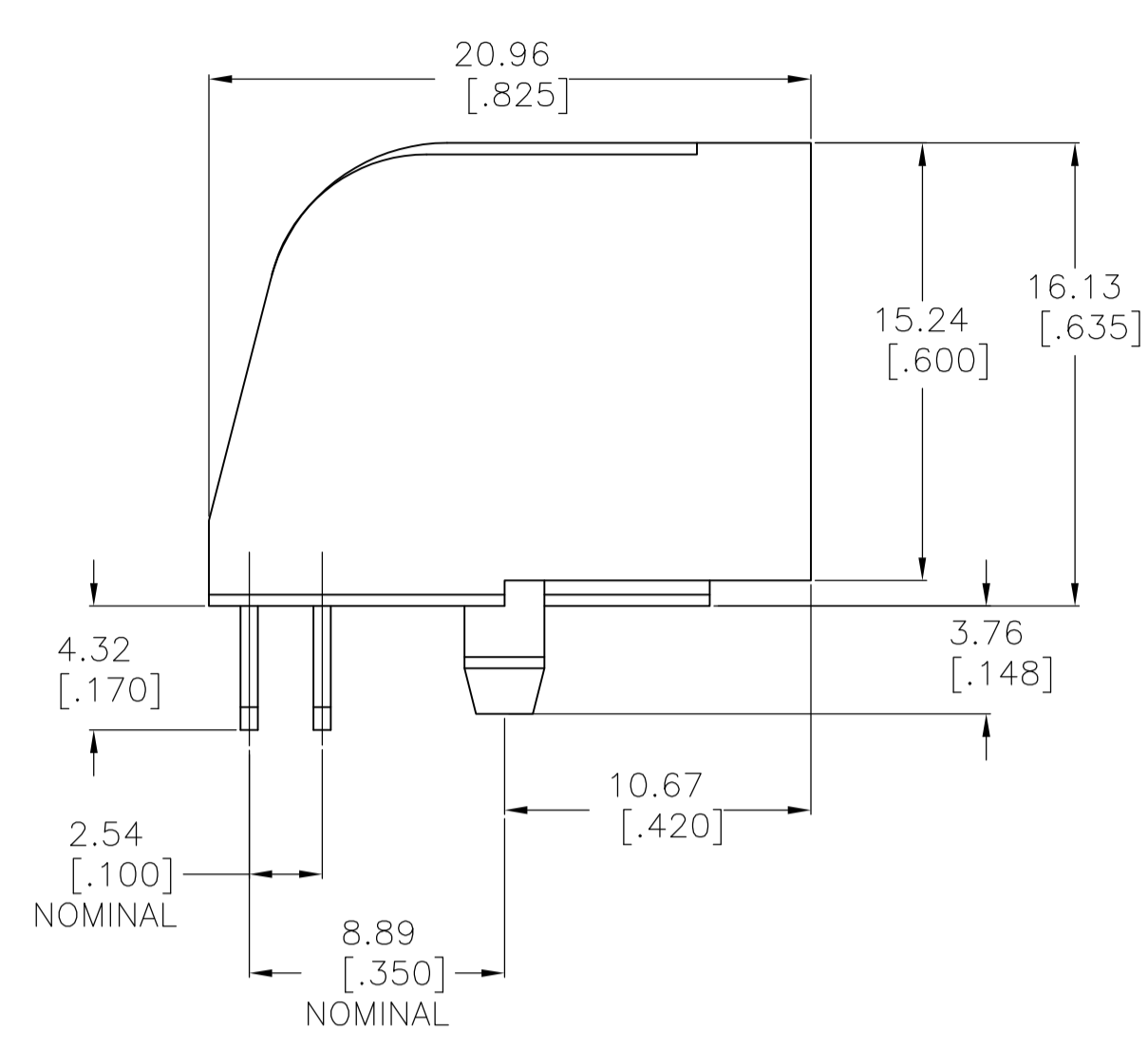
## Contact us

Tel: +86-755-8981 8866 Fax: +86-755-8427 6832

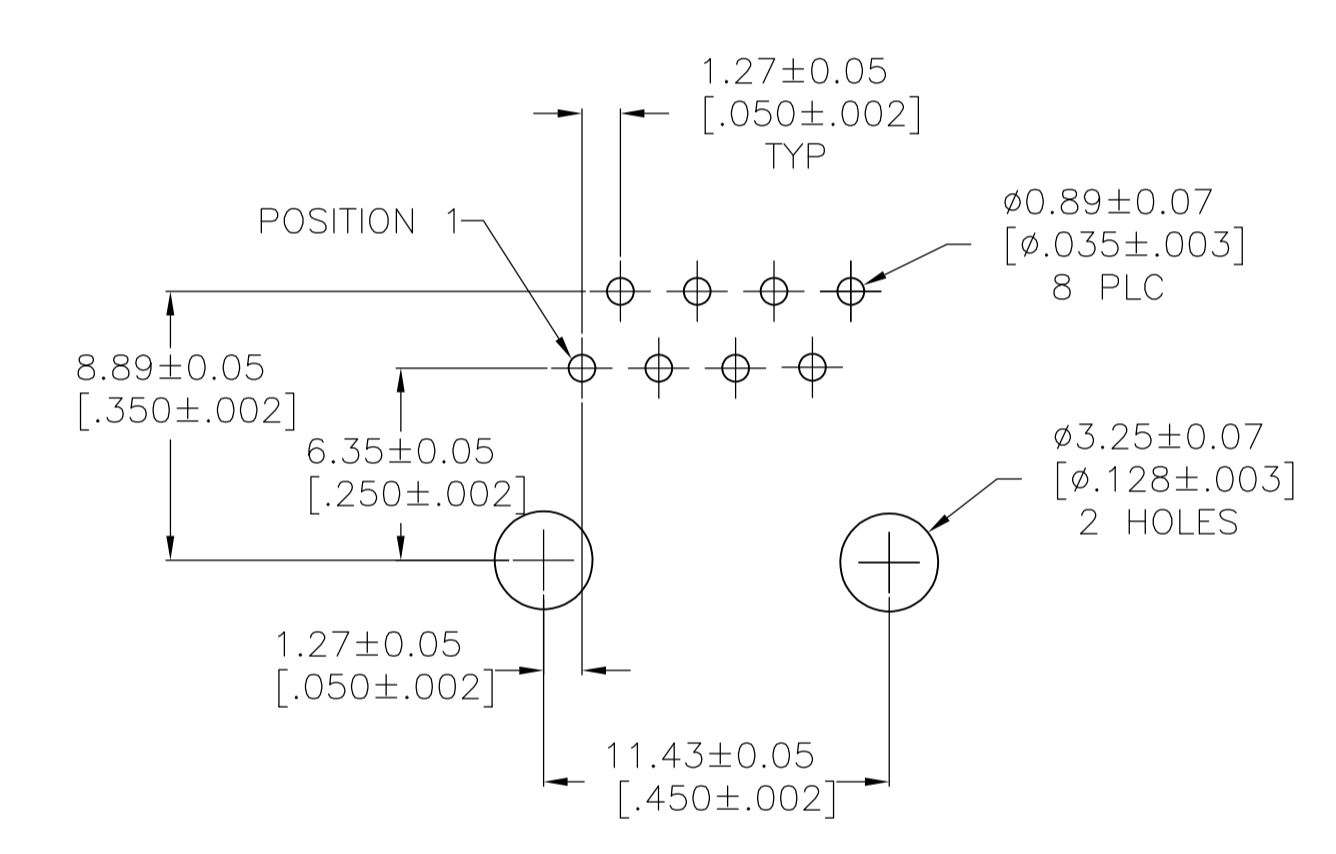
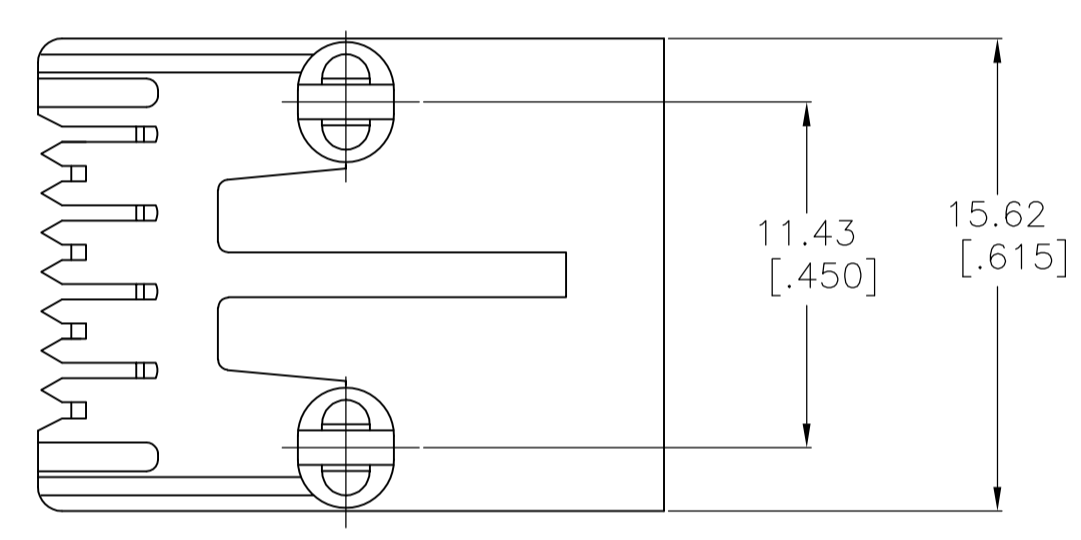
Email & Skype: info@chipsmall.com Web: www.chipsmall.com

Address: A1208, Overseas Decoration Building, #122 Zhenhua RD., Futian, Shenzhen, China





RECOMMENDED PANEL CUTOUT



RECOMMENDED PRINTED CIRCUIT BOARD LAYOUT  
 COMPONENT SIDE SHOWN

- MATERIAL: HOUSING PBT POLYESTER, COLOR: BLACK.  
 TERMINAL-0.36 [.014] THICK PHOS-BRONZE  
 PLATED WITH 1.27um [.000050] MINIMUM THICK HARD  
 GOLD IN LOCALIZED GOLD PLATE AREA AND  
 3.81um [.000150] MINIMUM THICK MATTE TIN IN SOLDER  
 AREA OVER 1.27um [.000050] MINIMUM THICK NICKEL  
 UNDERPLATE.
- CAVITY CONFORMS TO FCC RULES AND  
 REGULATIONS PART 68 AND REA BULLETIN  
 345-81, PE-76 SPECIFICATION FOR MODULAR  
 TELEPHONE HARDWARE.
- ALL DIMENSIONS SHOWN ARE MAXIMUM UNLESS  
 OTHERWISE SPECIFIED.

5554517-1  
 PART NUMBER

|                                        |              |               |            |                                                                                             |        |
|----------------------------------------|--------------|---------------|------------|---------------------------------------------------------------------------------------------|--------|
| THIS DRAWING IS A CONTROLLED DOCUMENT. |              | DIN           | 30AUG2007  | Tyco Electronics Corporation                                                                |        |
| DIMENSIONS:<br>mm [INCHES]             |              | CHK           | 30AUG2007  | Harrisburg, PA 17105-3608                                                                   |        |
| TOLERANCES UNLESS OTHERWISE SPECIFIED: |              | APVD          | 30AUG2007  | NAME                                                                                        |        |
| 0 PLC                                  | ± -          | S. FLICKINGER |            | MODULAR JACK ASSEMBLY,<br>SIDE ENTRY, 8 POSITION, KEYED,<br>FLANGELESS, WITHOUT PANEL STOPS |        |
| 1 PLC                                  | ± -          | S. FLICKINGER |            | PRODUCT SPEC                                                                                |        |
| 2 PLC                                  | ± 0.13[.005] | S. FLICKINGER |            | 108-1163                                                                                    |        |
| 3 PLC                                  | ± -          | S. FLICKINGER |            | APPLICATION SPEC                                                                            |        |
| 4 PLC                                  | ± -          | S. FLICKINGER |            | 114-2048                                                                                    |        |
| ANGLES                                 | ± -          | S. FLICKINGER |            | SIZE                                                                                        |        |
| MATERIAL                               | SEE NOTE 1   | FINISH        | SEE NOTE 1 | WEIGHT                                                                                      | —      |
| CUSTOMER DRAWING                       |              | SCALE         | 4:1        | SHEET                                                                                       | 1 OF 1 |
| A1 00779                               |              | C=5554517     |            | REV                                                                                         |        |
| A                                      |              | B             |            | REV                                                                                         |        |