



Chipsmall Limited consists of a professional team with an average of over 10 year of expertise in the distribution of electronic components. Based in Hongkong, we have already established firm and mutual-benefit business relationships with customers from,Europe,America and south Asia,supplying obsolete and hard-to-find components to meet their specific needs.

With the principle of "Quality Parts,Customers Priority,Honest Operation,and Considerate Service",our business mainly focus on the distribution of electronic components. Line cards we deal with include Microchip,ALPS,ROHM,Xilinx,Pulse,ON,Everlight and Freescale. Main products comprise IC,Modules,Potentiometer,IC Socket,Relay,Connector.Our parts cover such applications as commercial,industrial, and automotives areas.

We are looking forward to setting up business relationship with you and hope to provide you with the best service and solution. Let us make a better world for our industry!



## Contact us

Tel: +86-755-8981 8866 Fax: +86-755-8427 6832

Email & Skype: info@chipsmall.com Web: www.chipsmall.com

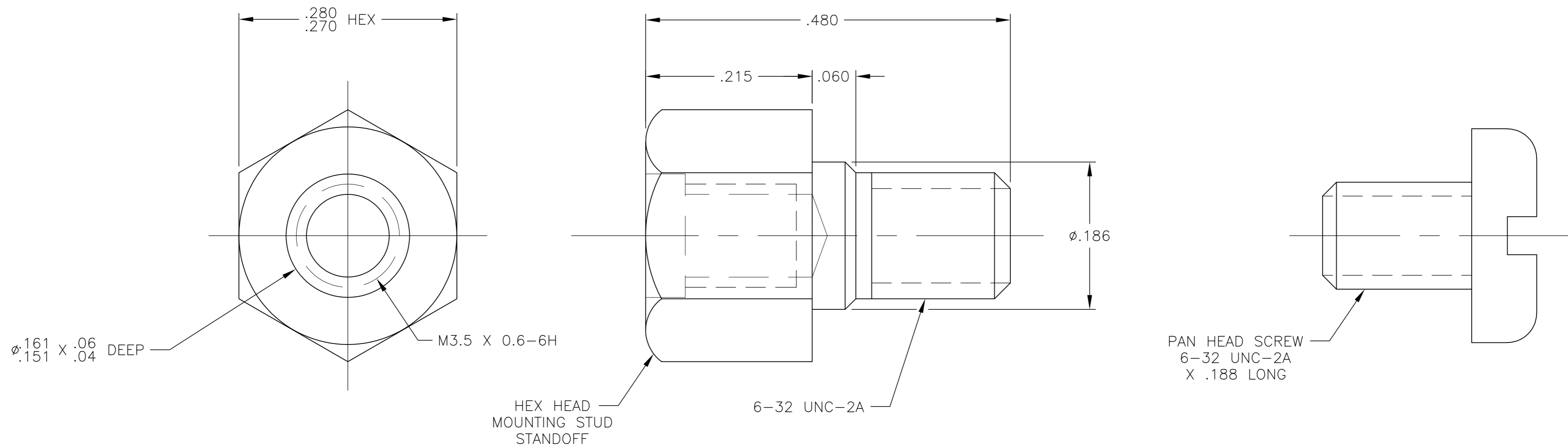
Address: A1208, Overseas Decoration Building, #122 Zhenhua RD., Futian, Shenzhen, China



THIS DRAWING IS UNPUBLISHED. RELEASED FOR PUBLICATION  
 © COPYRIGHT BY TYCO ELECTRONICS CORPORATION. ALL RIGHTS RESERVED.

LOC	DIST	REVISIONS			
P	LTR	DESCRIPTION	DATE	DWN	APVD
GP	00	A	RELEASED	9/MAY/07	ZMR/WLM

- 1 ALL DIMENSIONS SHOWN ARE MAXIMUM UNLESS OTHERWISE SPECIFIED.
- 2 MATERIAL/FINISH:  
 STANDOFF - BLACK OXIDE COATED CARBON STEEL  
 PANHEAD SCREW - ZINC PLATED CARBON STEEL.
- 3. TWO OF EACH COMPONENT REQUIRED PER KIT.
- 4. ONE KIT SHIPPED PER POLY BAG.



.062	.062 - .093	5554858-1
PBC THICKNESS	PANEL THICKNESS	PART No.

THIS DRAWING IS A CONTROLLED DOCUMENT.		DWN Z. REAM 9/MAY/07	Tyco Electronics Corporation Harrisburg, PA 17105-3608	
DIMENSIONS: INCHES		CHK W. MILLHIMES 9/MAY/07	NAME	
TOLERANCES UNLESS OTHERWISE SPECIFIED:		APVD R. WERTZ 9/MAY/07	HARDWARE KIT, VERTICAL MOUNTING PREASSEMBLED SHIELDED IEEE CHAMP	
0 PLC ± -		PRODUCT SPEC	SIZE	RESTRICTED TO
1 PLC ± -		APPLICATION SPEC	CAGE CODE	A2 00779
2 PLC ± -		WEIGHT	DRAWING NO	
3 PLC ± -		CUSTOMER DRAWING	SCALE	1:1
4 PLC ± -		SCALE	SHEET	
ANGLES ± -		SCALE	1 of 1	REV
FINISH		SCALE	1 of 1	A

5554858