



Chipsmall Limited consists of a professional team with an average of over 10 year of expertise in the distribution of electronic components. Based in Hongkong, we have already established firm and mutual-benefit business relationships with customers from,Europe,America and south Asia,supplying obsolete and hard-to-find components to meet their specific needs.

With the principle of “Quality Parts,Customers Priority,Honest Operation,and Considerate Service”,our business mainly focus on the distribution of electronic components. Line cards we deal with include Microchip,ALPS,ROHM,Xilinx,Pulse,ON,Everlight and Freescale. Main products comprise IC,Modules,Potentiometer,IC Socket,Relay,Connector.Our parts cover such applications as commercial,industrial, and automotives areas.

We are looking forward to setting up business relationship with you and hope to provide you with the best service and solution. Let us make a better world for our industry!



## Contact us

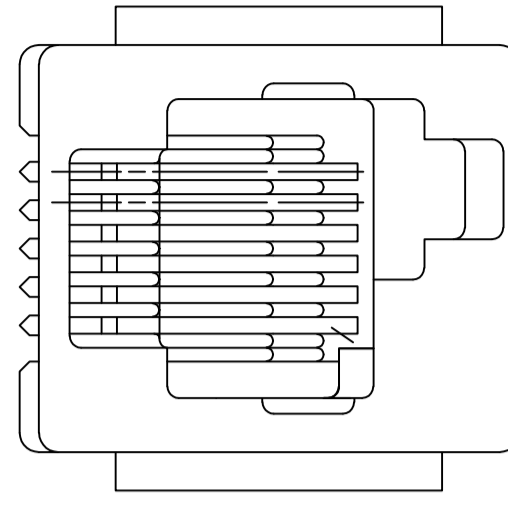
Tel: +86-755-8981 8866 Fax: +86-755-8427 6832

Email & Skype: info@chipsmall.com Web: www.chipsmall.com

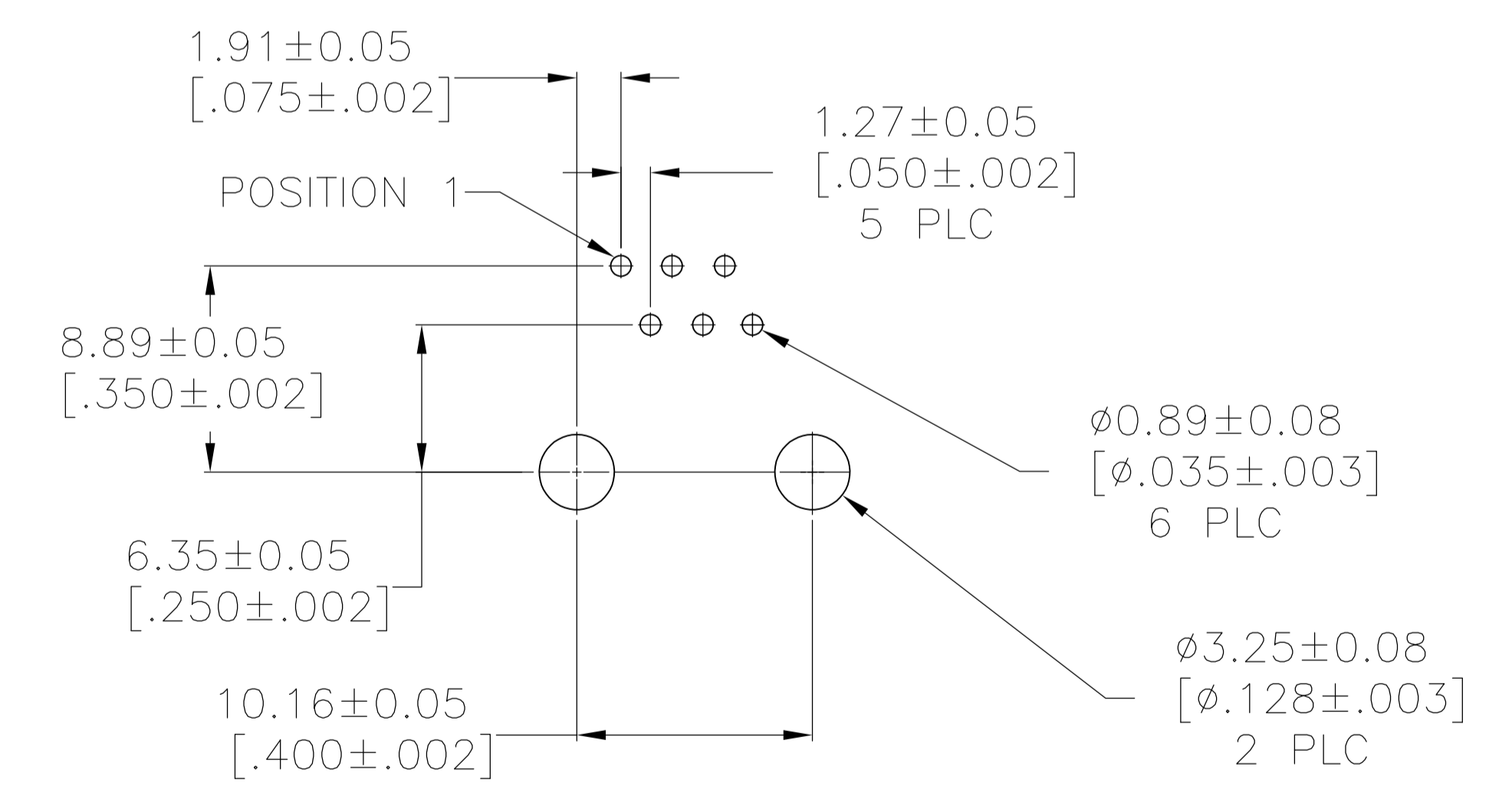
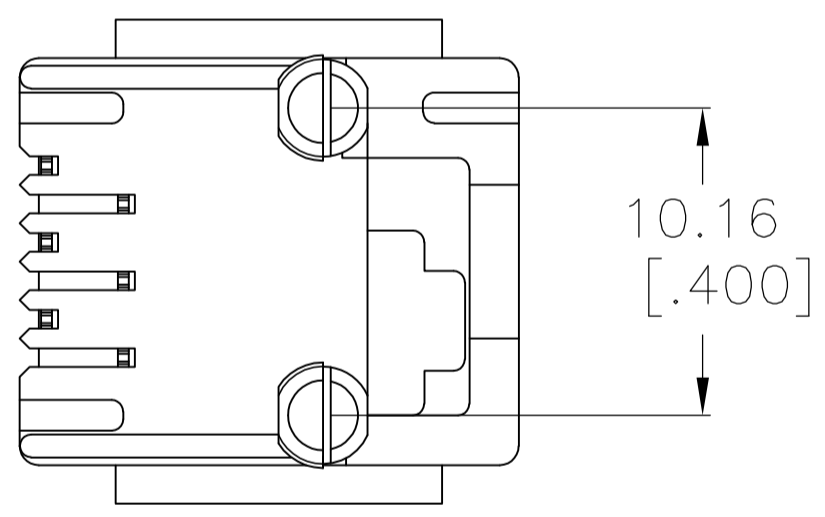
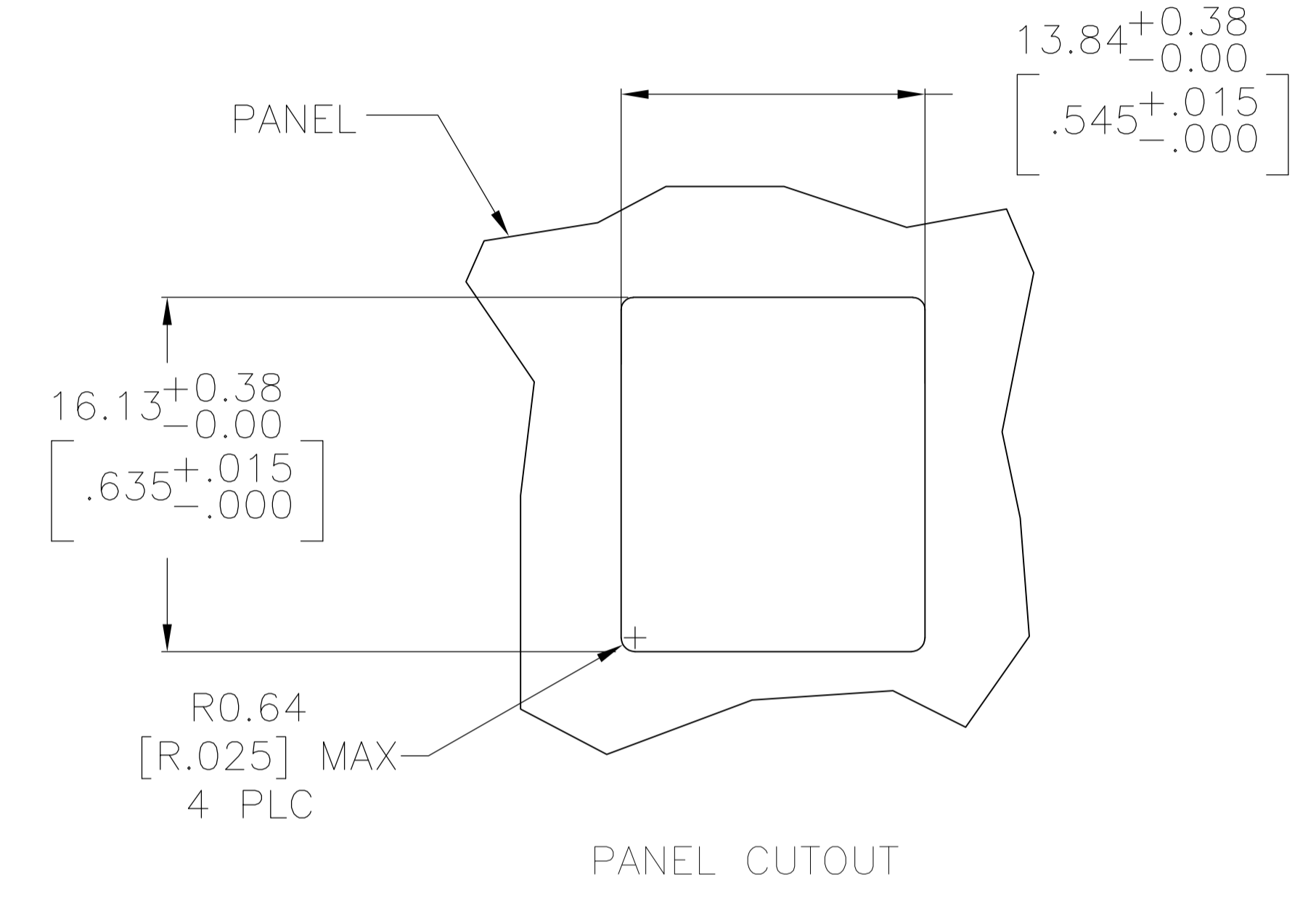
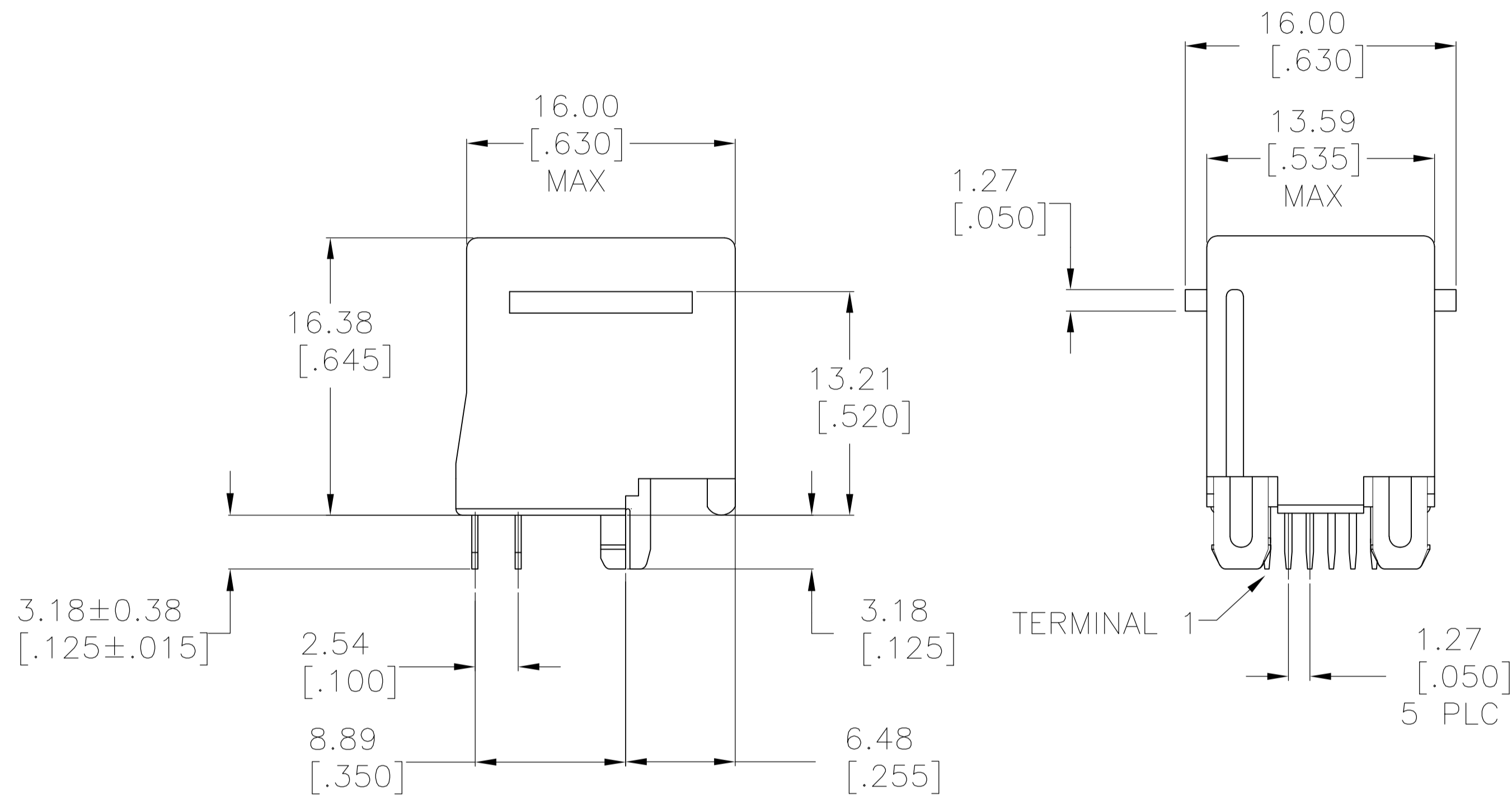
Address: A1208, Overseas Decoration Building, #122 Zhenhua RD., Futian, Shenzhen, China



LOC		DIST		REVISIONS			
AA	00	REV	DATE	BY	CHK	APPV	
C		ECO-07-017784	10AUG07	LAM	PR		



- MATERIAL:  
 HOUSING- PBT POLYESTER, GRAY.  
 TERMINAL- 0.36μm[.014] THICK PHOS BRONZE  
 PLATED WITH 1.27μm[.000050] MINIMUM THICK  
 HARD GOLD LOCALIZED GOLD PLATE AREA AND  
 3.81μm[.000150] MINIMUM THICK MATTE TIN IN  
 SOLDER AREA OVER 1.27μm[.000050] MINIMUM  
 THICK NICKEL UNDERPLATE.
- △ CAVITY CONFORMS TO FCC RULES AND REGULATIONS  
 PART 68 AND REA BULLENTIN 345-81, PE-76 SPECIFICATION  
 FOR MODULAR TELEPHONE HARDWARE



SUGGESTED PRINTED CIRCUIT BOARD LAYOUT  
 COMPONENT SIDE

5554990-1  
 PART NO

THIS DRAWING IS A CONTROLLED DOCUMENT.		DIN L.A.MAYER 15AUG2007	Tyco Electronics Corporation Harrisburg, PA 17105-3608	
DIMENSIONS: mm [INCHES]		CHK P. REECE 15AUG2007	NAME S. FLICKINGER 15AUG2007	
TOLERANCES UNLESS OTHERWISE SPECIFIED:		PRODUCT SPEC 108-116.3		
0 PLC ± -		APPLICATION SPEC 114-2048		
1 PLC ± -		SIZE A1		
2 PLC ± 0.13[.005]		CAGE CODE DRAWING NO 00779		
3 PLC ± -		5554990		
4 PLC ± -		RESTRICTED TO		
ANGLES ± -		CUSTOMER DRAWING		
MATERIAL SEE NOTE 1		SCALE 4:1 SHEET 1 OF 1 REV C		
FINISH SEE NOTE 1				