



Chipsmall Limited consists of a professional team with an average of over 10 year of expertise in the distribution of electronic components. Based in Hongkong, we have already established firm and mutual-benefit business relationships with customers from,Europe,America and south Asia,supplying obsolete and hard-to-find components to meet their specific needs.

With the principle of “Quality Parts,Customers Priority,Honest Operation,and Considerate Service”,our business mainly focus on the distribution of electronic components. Line cards we deal with include Microchip,ALPS,ROHM,Xilinx,Pulse,ON,Everlight and Freescale. Main products comprise IC,Modules,Potentiometer,IC Socket,Relay,Connector.Our parts cover such applications as commercial,industrial, and automotives areas.

We are looking forward to setting up business relationship with you and hope to provide you with the best service and solution. Let us make a better world for our industry!



Contact us

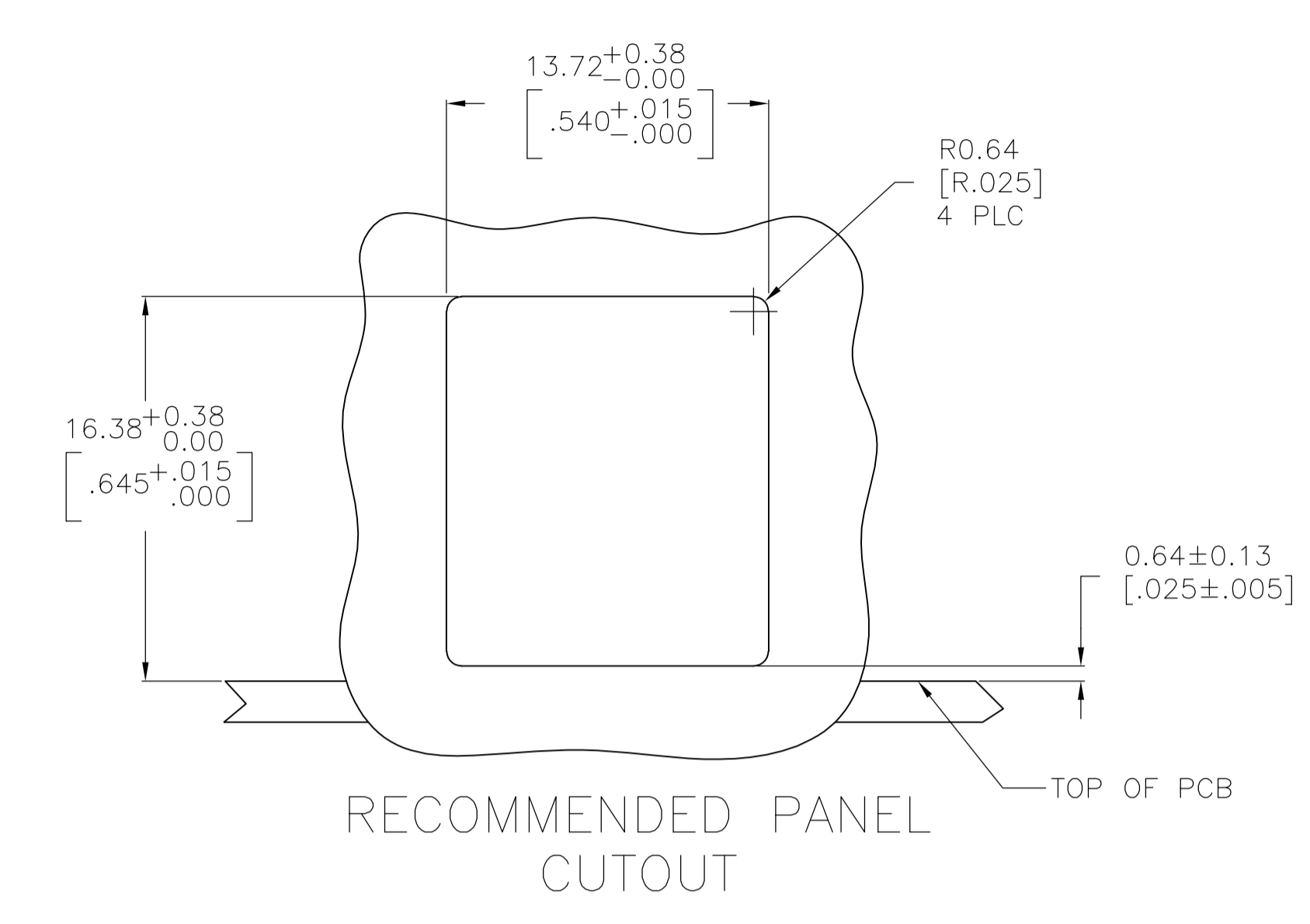
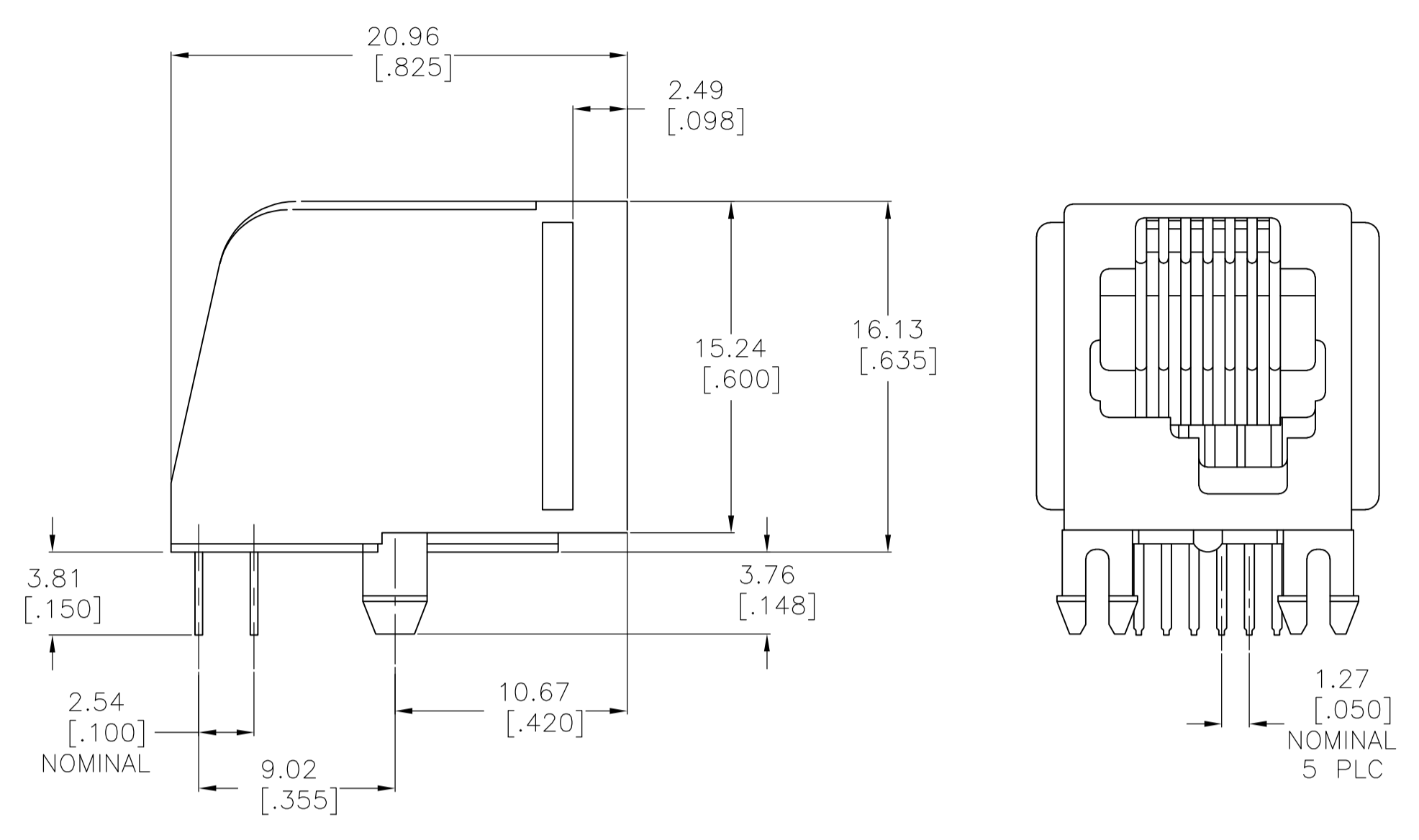
Tel: +86-755-8981 8866 Fax: +86-755-8427 6832

Email & Skype: info@chipsmall.com Web: www.chipsmall.com

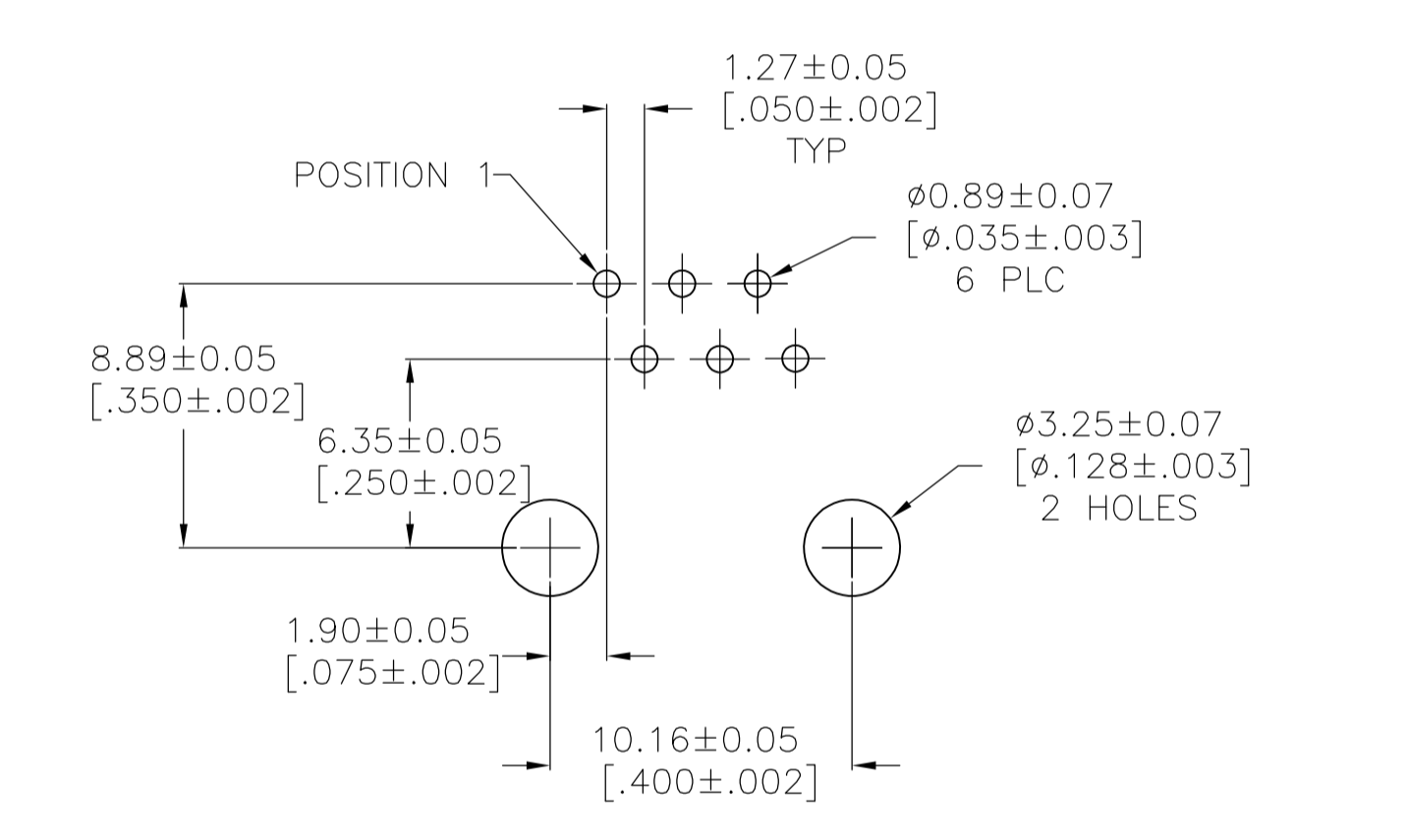
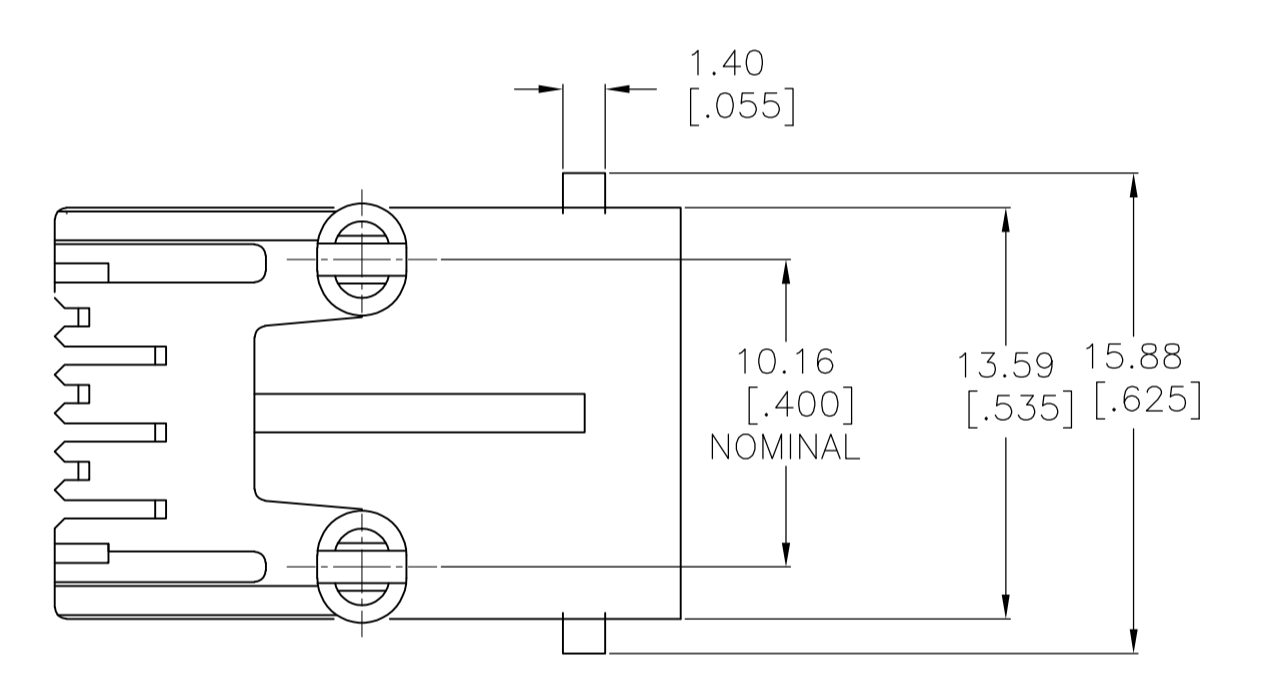
Address: A1208, Overseas Decoration Building, #122 Zhenhua RD., Futian, Shenzhen, China



LOC		DIST		REVISIONS			
P	LTR	DESCRIPTION	DATE	DNW	APVD		
C		ECC-08-006985	25JUN2008	LAM	PR		



- MATERIAL: HOUSING - PBT POLYESTER, COLOR: GRAY
 TERMINAL -- 0.35 [0.0138] THICK PHOS BRONZE
 PLATED WITH 1.27 μm [0.000050] THICK HARD GOLD
 IN LOCALIZED GOLD PLATE AREA AND 3.81 μm [0.000150]
 THICK MATTE TIN IN SOLDER AREA OVER 1.27 μm
 [0.000050] THICK NICKEL UNDERPLATE
- BULK PACKAGED IN A TRAY.
- PACKAGED 36 ASSEMBLIES PER TUBE WITH BOTH
 ENDS ENCLOSED
- DIMENSIONS ARE MAXIMUM UNLESS OTHERWISE SHOWN



RECOMMENDED PRINTED CIRCUIT BOARD
 LAYOUT
 COMPONENT SIDE SHOWN

SUPERSEDED BY -1	3	6	5555003-2
	2	6	5555003-1
PACKAGED	TERMINALS	PART NUMBER	

THIS DRAWING IS A CONTROLLED DOCUMENT.		DIN	30AUG2007	Tyco Electronics Corporation	
		LA MAYER	30AUG2007	Harrisburg, PA 17105-3608	
		P RECCE	30AUG2007	Tyco Electronics	
		S FLICKINGER	30AUG2007	NAME	
		MODULAR JACK ASSEMBLY,			
		SIDE ENTRY, WITH RIGHT HAND LATCHES, 6 POSITION,			
		FLANGELESS, WITH PANEL STOPS			
		108-1163		APPLICATION SPEC	
		114-2048		DRAWING NO	
		A1 00779		RESTRICTED TO	
		C=5555003		SCALE 4:1 SHEET 1 OF 1 REV C	
		CUSTOMER DRAWING			