



Chipsmall Limited consists of a professional team with an average of over 10 year of expertise in the distribution of electronic components. Based in Hongkong, we have already established firm and mutual-benefit business relationships with customers from,Europe,America and south Asia,supplying obsolete and hard-to-find components to meet their specific needs.

With the principle of “Quality Parts,Customers Priority,Honest Operation,and Considerate Service”,our business mainly focus on the distribution of electronic components. Line cards we deal with include Microchip,ALPS,ROHM,Xilinx,Pulse,ON,Everlight and Freescale. Main products comprise IC,Modules,Potentiometer,IC Socket,Relay,Connector.Our parts cover such applications as commercial,industrial, and automotives areas.

We are looking forward to setting up business relationship with you and hope to provide you with the best service and solution. Let us make a better world for our industry!



Contact us

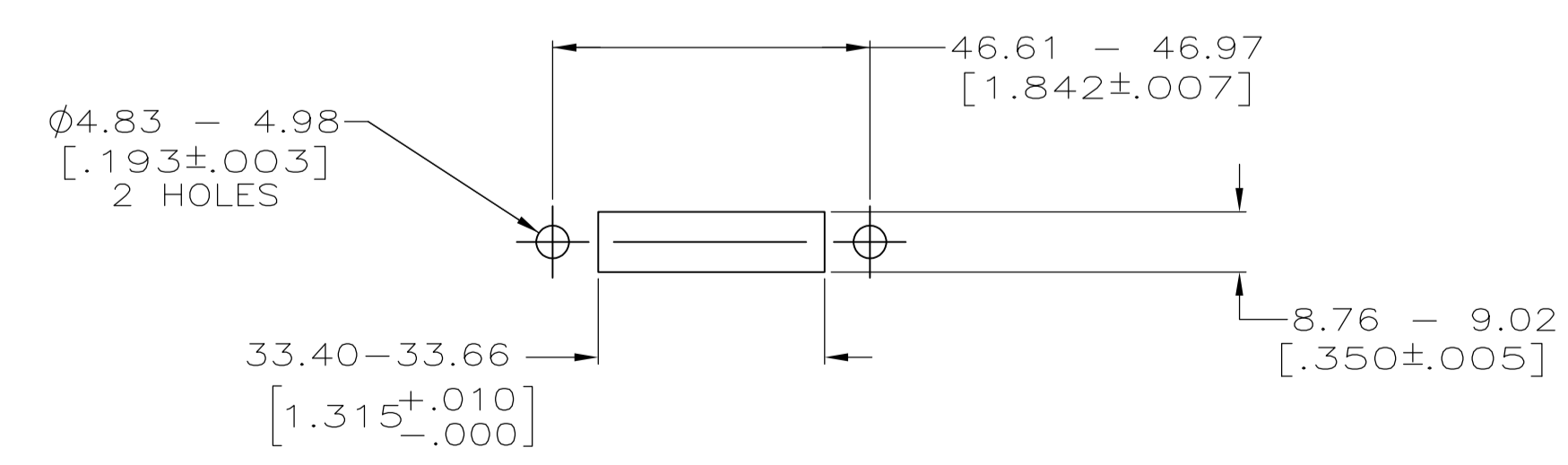
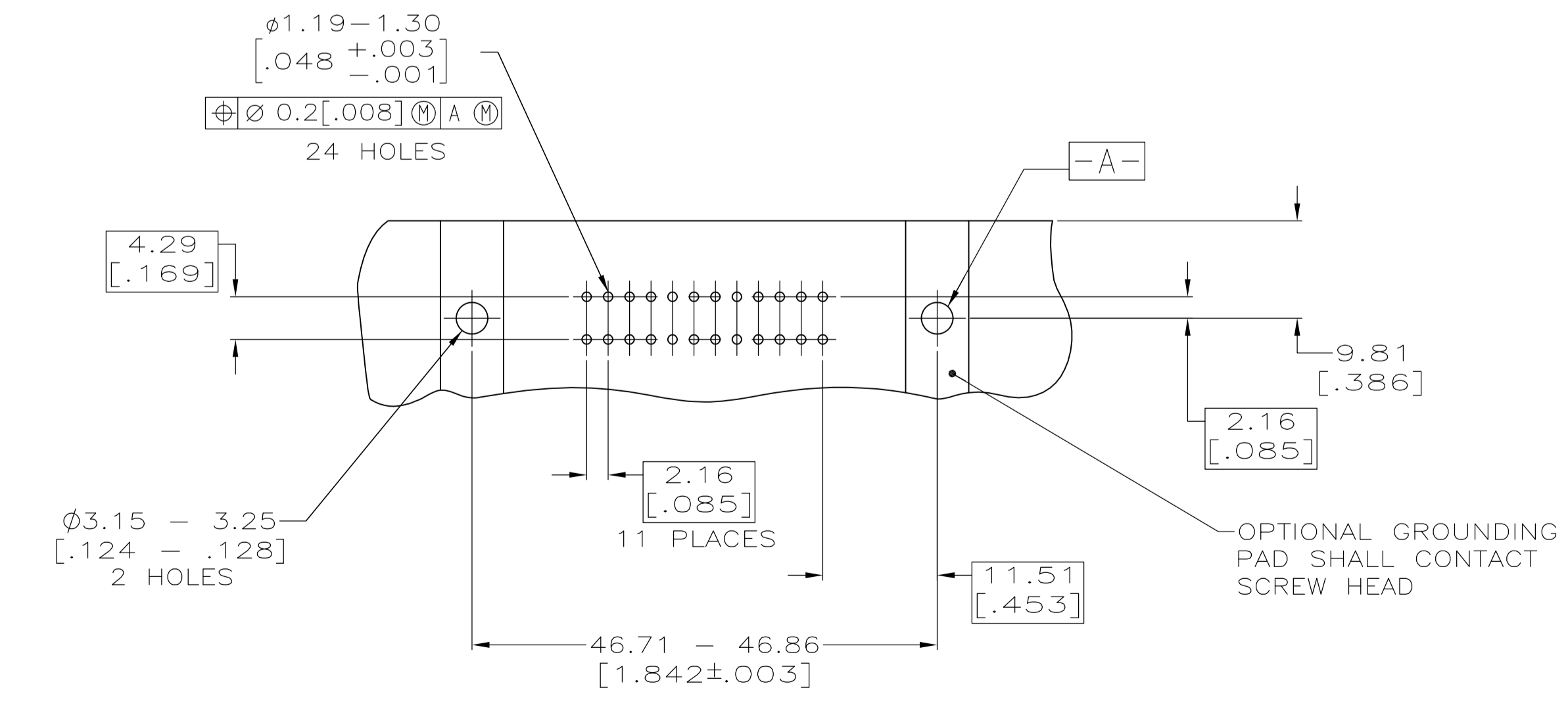
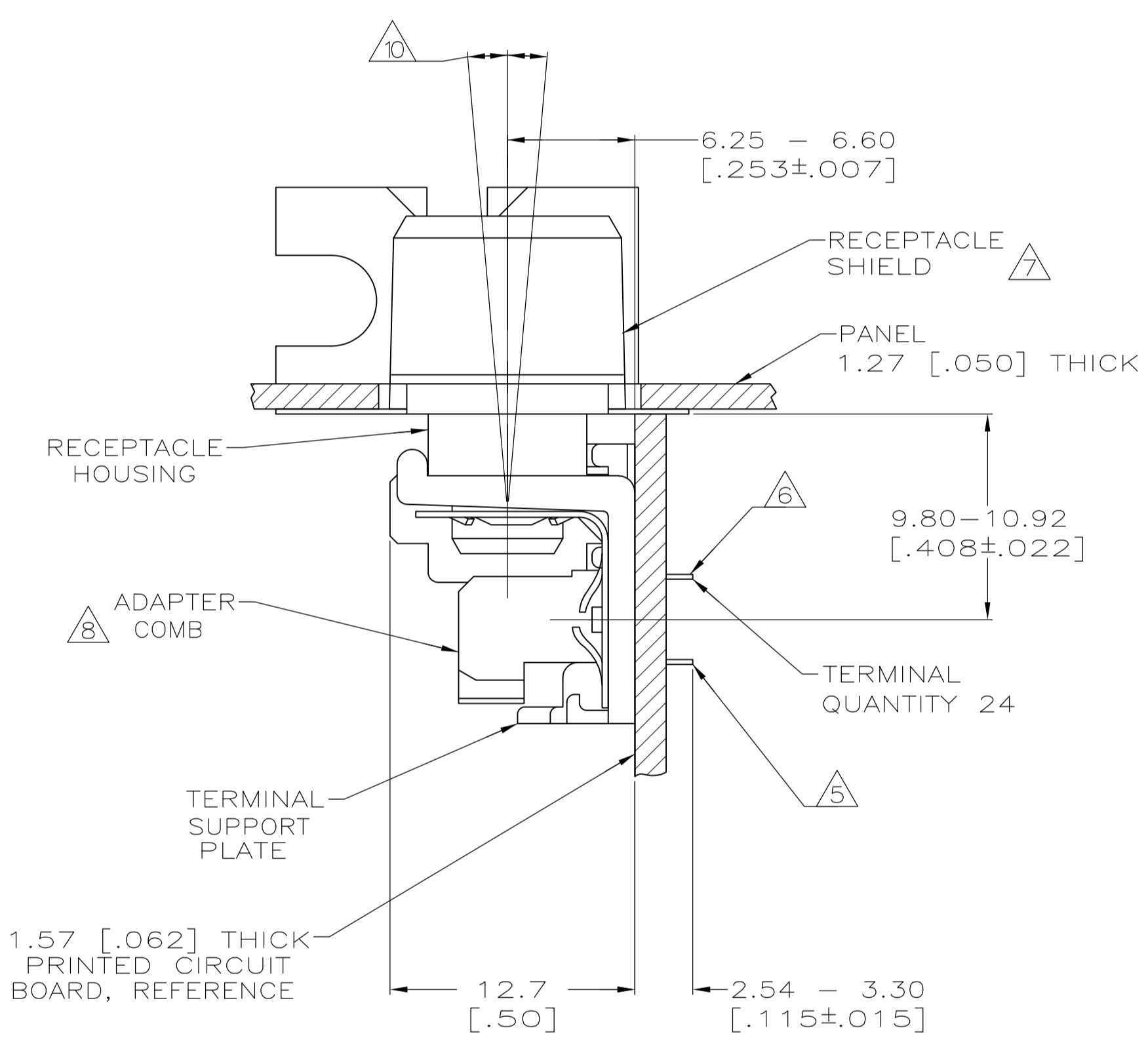
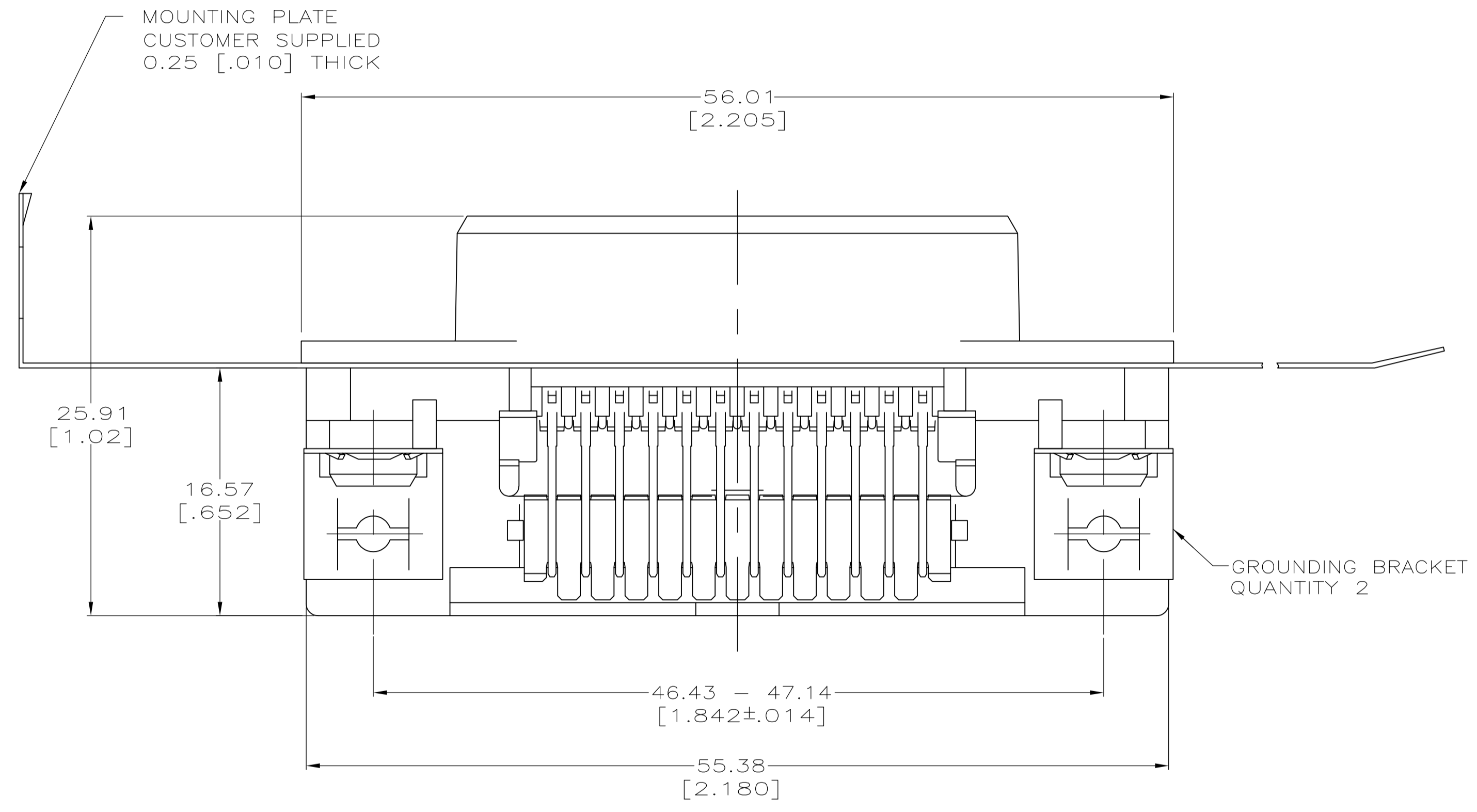
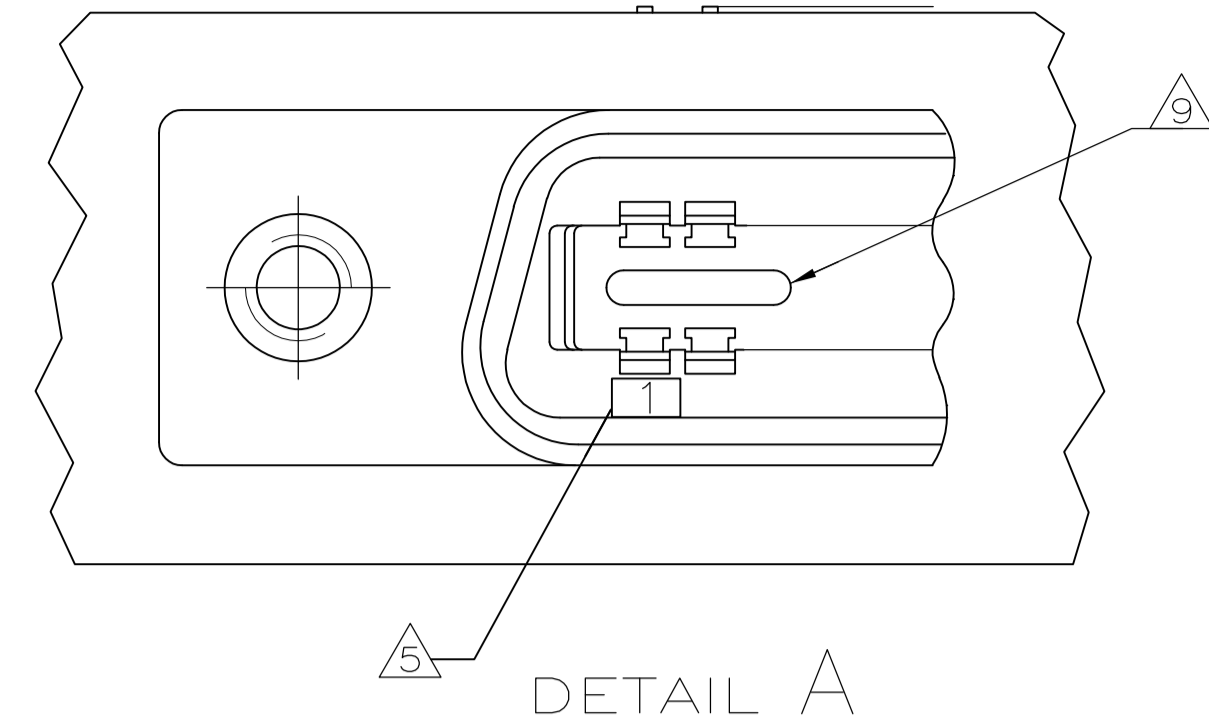
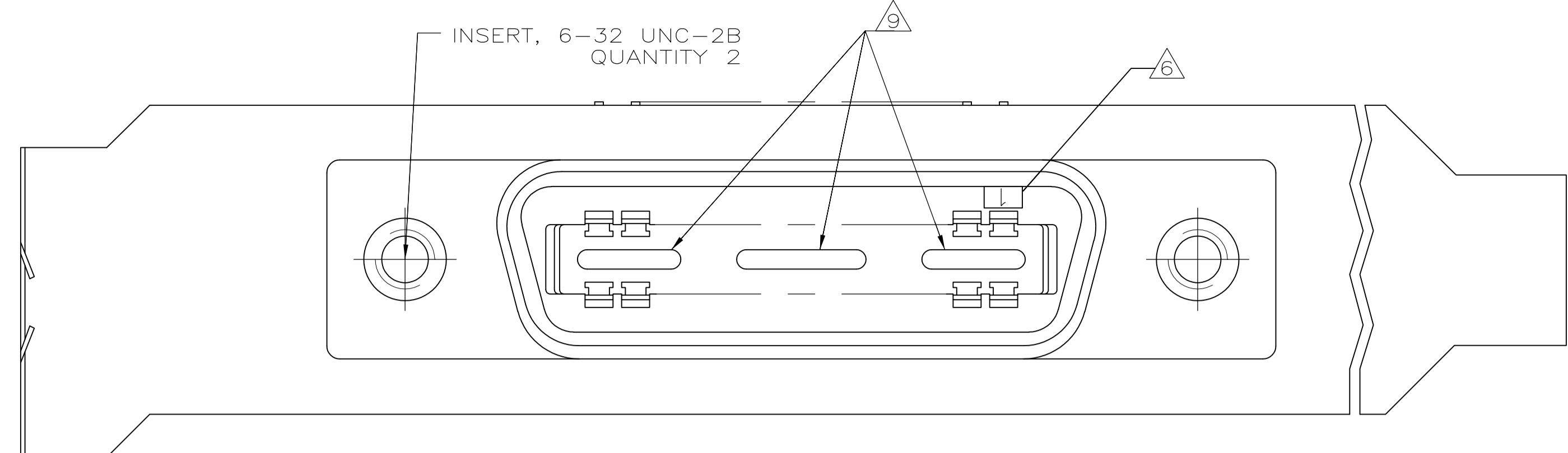
Tel: +86-755-8981 8866 Fax: +86-755-8427 6832

Email & Skype: info@chipsmall.com Web: www.chipsmall.com

Address: A1208, Overseas Decoration Building, #122 Zhenhua RD., Futian, Shenzhen, China



LOC		DIST		REVISIONS			
GP	00	F	LTR	DESCRIPTION	DATE	DM	APVD
B				REVISED PER ECO-08-007327	17APR08	BM	WM



SUGGESTED BRACKET MOUNTING CUTOUT DIMENSIONS
SCALE 1:1

SUGGESTED PRINTED CIRCUIT BOARD MOUNTING DIMENSIONS
SCALE 2:1

- 1 MATERIAL:
SUPPORT PLATE, HOUSING & ADAPTER COMB - POLYESTER, BLACK.
RECEPTACLE SHIELD - NICKEL OVER COPPER PLATED ZINC.
TERMINALS - HIGH STRENGTH COPPER ALLOY PLATED WITH EITHER 0.76µm [.000030] MIN GOLD PLATE OR GOLD FLASH OVER PALLADIUM NICKEL PLATE, 0.76µm [.000030] MIN TOTAL ON MATING SURFACE. 3.05µm [.000120] MIN TIN PLATE ON TAILS. ALL OVER 1.27µm [.000050] MIN NICKEL UNDERPLATE OVER ENTIRE TERMINAL.
GROUND BRACKET - ZINC PLATED CARBON STEEL.
- 2. THE CONTACT SURFACES OF THE TERMINALS ARE COATED WITH LUBRICANT.
- 3. CENTER-TO-CENTER SPACING OF TERMINALS IS 2.16 [.085] NOMINAL.
- 4. DIMENSIONS ARE MAXIMUM UNLESS OTHERWISE SPECIFIED.
- 5. TERMINAL 1 LOCATED IN THIS ROW FOR STANDARD ORIENTATION.
- 6. TERMINAL 1 LOCATED IN THIS ROW FOR REVERSE ORIENTATION.
- 7. SHIELD SHIPPED NOT ASSEMBLED.
- 8. ADAPTER COMB SHALL BE PARTIALLY RETRACTED BEFORE INSERTING CONNECTOR INTO PRINTED CIRCUIT BOARD.
- 9. THIS FEATURE IS A CORED AREA AND IS OPTIONAL ON PART.
- 10. CONNECTOR MATING FACE MAY VARY UP TO 5 DEGREES IN EITHER DIRECTION FROM NOMINAL.

SEE DETAIL "A"	STANDARD	5555139-2
AS SHOWN	REVERSE	5555139-1
DESCRIPTION	ORIENTATION	PART NUMBER

THIS DRAWING IS A CONTROLLED DOCUMENT.		DIN B	MCMASTER	24AUG05	Tyco Electronics Corporation Harrisburg, Pa 17105-3608	
DIMENSIONS: mm [INCHES]		CIK	W. MILLHIMES	24AUG05	NAME	
TOLERANCES UNLESS OTHERWISE SPECIFIED:		APVD	W. MILLHIMES	24AUG05	RECEPTACLE ASSEMBLY, 24 POSITION, RIGHT ANGLE, SHIELDED, LOW PROFILE, WITH GROUNDING BRACKET, CHAMP	
0 PLC	±	APPLICATION SPEC		SIZE	CAGE CODE	DRAWING NO
1 PLC	±			WEIGHT	A1	00779
2 PLC	±			CUSTOMER DRAWING	SCALE	4:1
3 PLC	±				SHEET	1 of 1
4 PLC	±				REV	B
ANGLES	±					