



Chipsmall Limited consists of a professional team with an average of over 10 year of expertise in the distribution of electronic components. Based in Hongkong, we have already established firm and mutual-benefit business relationships with customers from,Europe,America and south Asia,supplying obsolete and hard-to-find components to meet their specific needs.

With the principle of “Quality Parts,Customers Priority,Honest Operation,and Considerate Service”,our business mainly focus on the distribution of electronic components. Line cards we deal with include Microchip,ALPS,ROHM,Xilinx,Pulse,ON,Everlight and Freescale. Main products comprise IC,Modules,Potentiometer,IC Socket,Relay,Connector.Our parts cover such applications as commercial,industrial, and automotives areas.

We are looking forward to setting up business relationship with you and hope to provide you with the best service and solution. Let us make a better world for our industry!



## Contact us

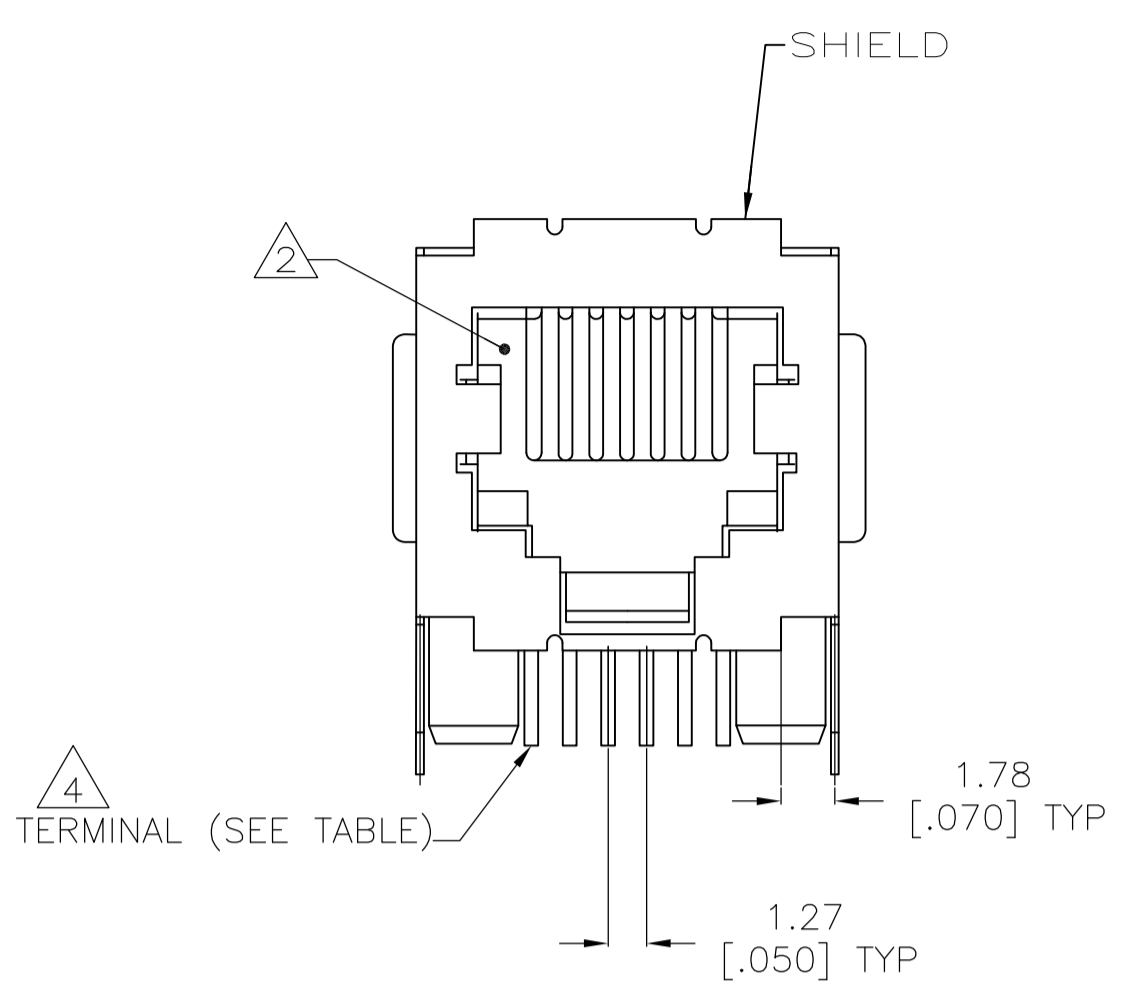
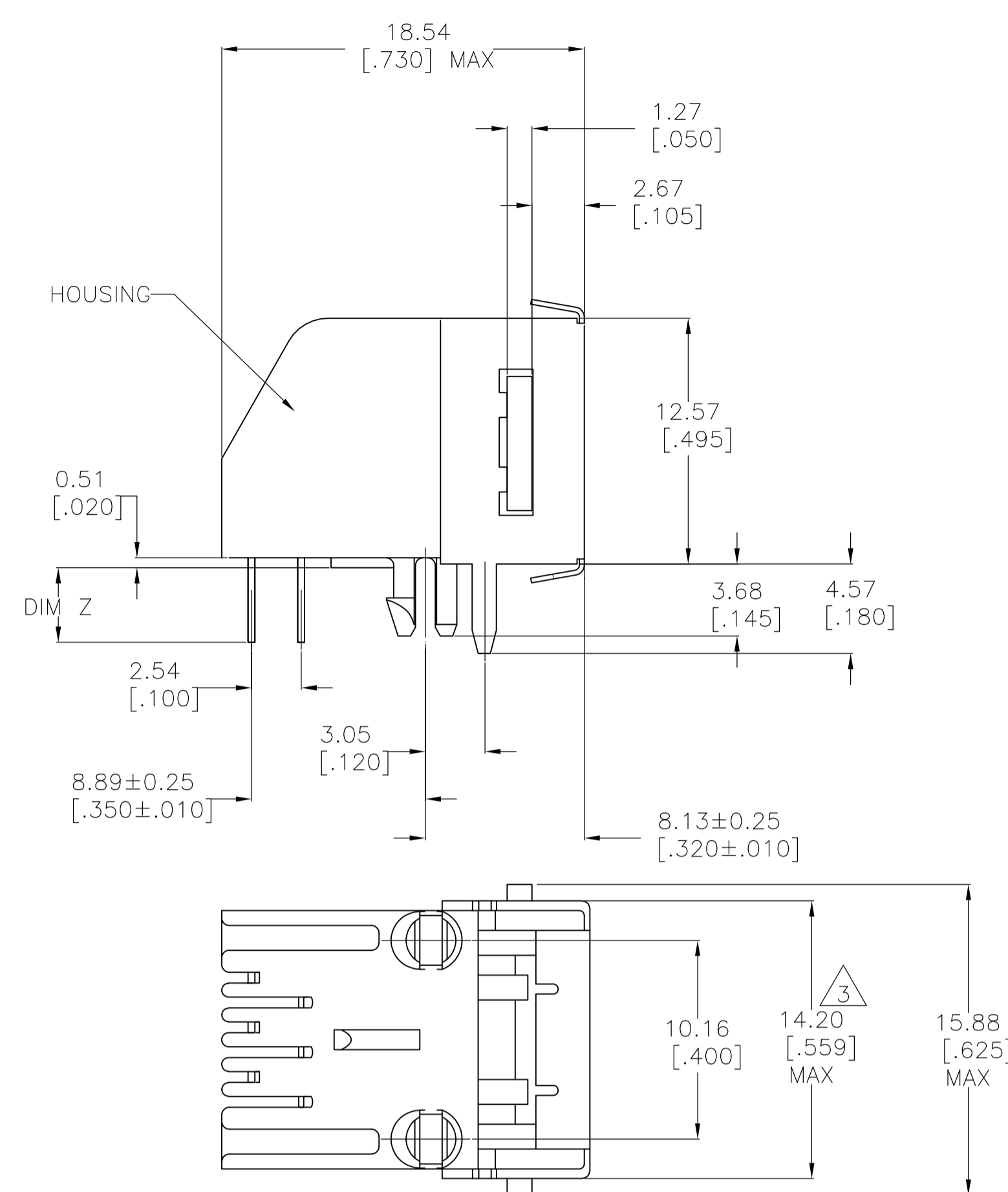
Tel: +86-755-8981 8866 Fax: +86-755-8427 6832

Email & Skype: info@chipsmall.com Web: www.chipsmall.com

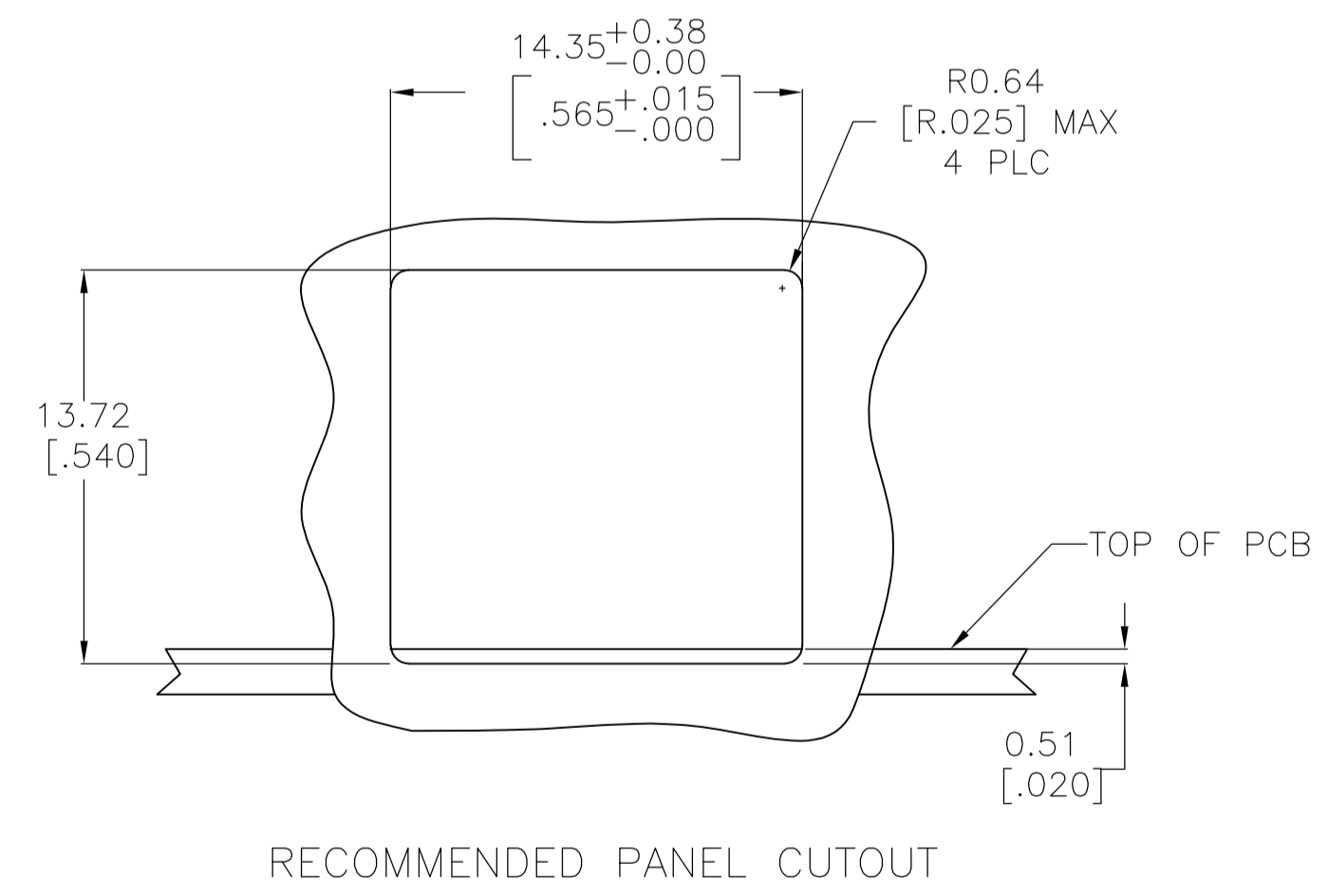
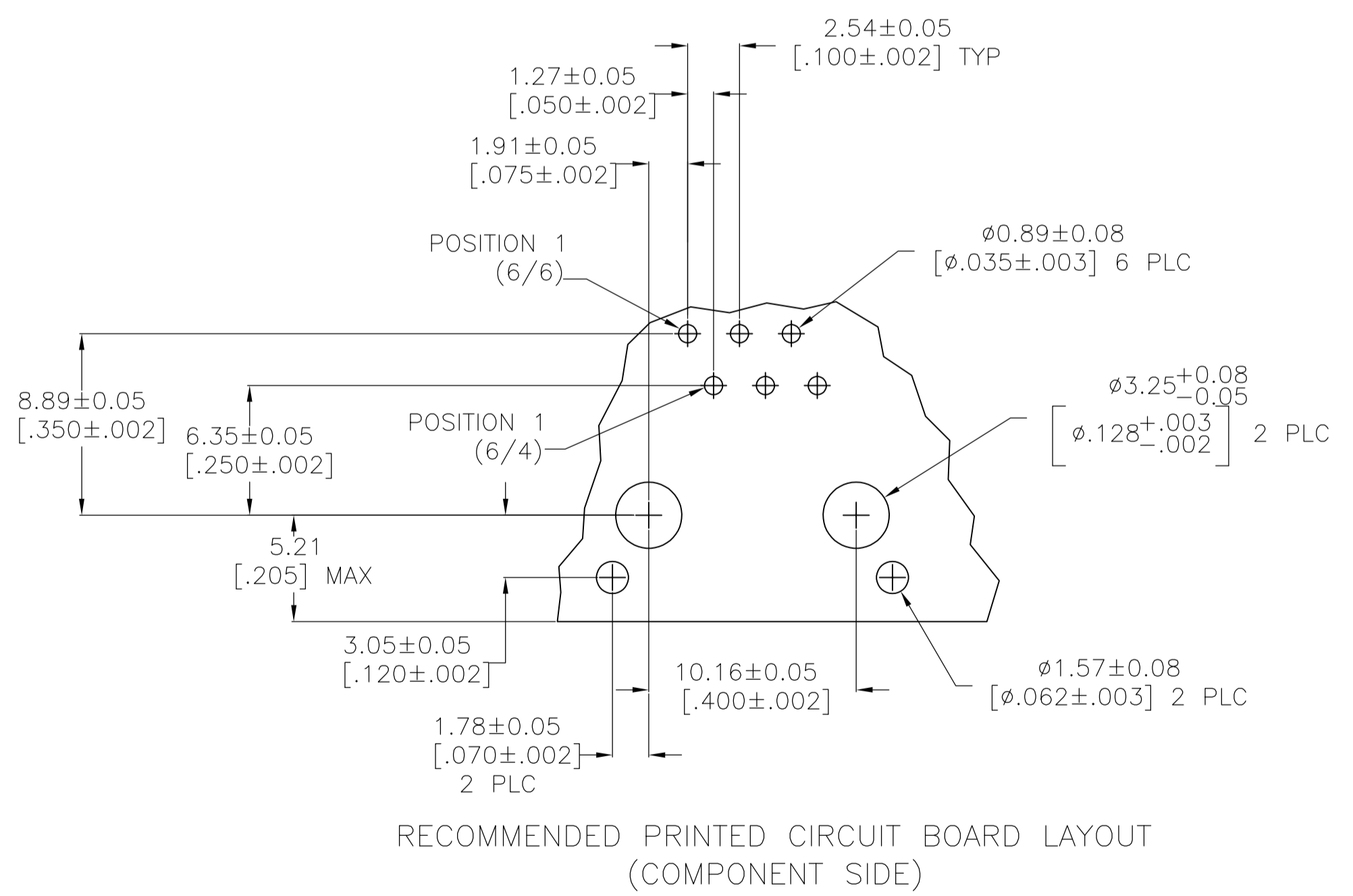
Address: A1208, Overseas Decoration Building, #122 Zhenhua RD., Futian, Shenzhen, China



LOC		DIST		REVISIONS			
P	LTR	DESCRIPTION	DATE	DWN	APVD		
E1		REVISED PER ECO-11-005033	23MAR11	RK	HMR		



- MATERIAL: HOUSING - PBT POLYESTER, COLOR: BLACK.  
TERMINAL - 0.36[.014] THICK PHOS-BRONZE PLATED WITH 1.27um[.000050] MINIMUM THICK HARD GOLD IN LOCALIZED GOLD PLATE AREA AND 3.81um[.000150] THICK MATTE TIN IN SOLDER AREA OVER 1.27um[.000050] MINIMUM THICK NICKEL UNDERPLATE.  
SHIELD - 0.25[.010] THICK COPPER ALLOY PLATED WITH 3.0um[.000120] MINIMUM REFLOWED TIN
- CAVITY CONFORMS TO FCC RULES AND REGULATIONS PART 68, SUBPART F.
- DIMENSIONS MEASURED ALONG FRONT EDGES OF MATING FACE
- TERMINALS FOR 5555140-2 LOCATED IN CENTER POSITIONS.



TUBE	DIMENSION Z	TERMINALS REQUIRED	PART NUMBER
3.81±0.51 [.150±.020]	6	6	5555140-6
2.54±0.25 [.100±.010]	6	4	5555140-4
3.81±0.51 [.150±.020]	4	4	5555140-2
3.81±0.51 [.150±.020]	6	6	5555140-1

THIS DRAWING IS A CONTROLLED DOCUMENT.		DIN L.A.MAYER 08NOV2007		TE Connectivity	
DIMENSIONS: mm [INCHES]		TOLERANCES UNLESS OTHERWISE SPECIFIED:			
0 PLC ± -		1 PLC ± -		NAME: MODULAR JACK ASSEMBLY, SHIELDED, 6POSITION, LOW PROFILE, RIGHT ANGLE, PANEL GROUND WITH PANEL STOPS	
1 PLC ± -		2 PLC ± 0.13[.005]		PRODUCT SPEC: 108-1163	
2 PLC ± -		3 PLC ± -		APPLICATION SPEC: 114-2048	
3 PLC ± -		4 PLC ± -		SIZE: A1	
4 PLC ± -		ANGLES ± -		CAGE CODE: 00779	
MATERIAL: SEE NOTE 1		FINISH: SEE NOTE 1		DRAWING NO: 5555140	
				RESTRICTED TO: -	
				CUSTOMER DRAWING	
				SCALE: 4:1 SHEET: 1 OF 1 REV: E1	