



Chipsmall Limited consists of a professional team with an average of over 10 year of expertise in the distribution of electronic components. Based in Hongkong, we have already established firm and mutual-benefit business relationships with customers from,Europe,America and south Asia,supplying obsolete and hard-to-find components to meet their specific needs.

With the principle of “Quality Parts,Customers Priority,Honest Operation,and Considerate Service”,our business mainly focus on the distribution of electronic components. Line cards we deal with include Microchip,ALPS,ROHM,Xilinx,Pulse,ON,Everlight and Freescale. Main products comprise IC,Modules,Potentiometer,IC Socket,Relay,Connector.Our parts cover such applications as commercial,industrial, and automotives areas.

We are looking forward to setting up business relationship with you and hope to provide you with the best service and solution. Let us make a better world for our industry!



Contact us

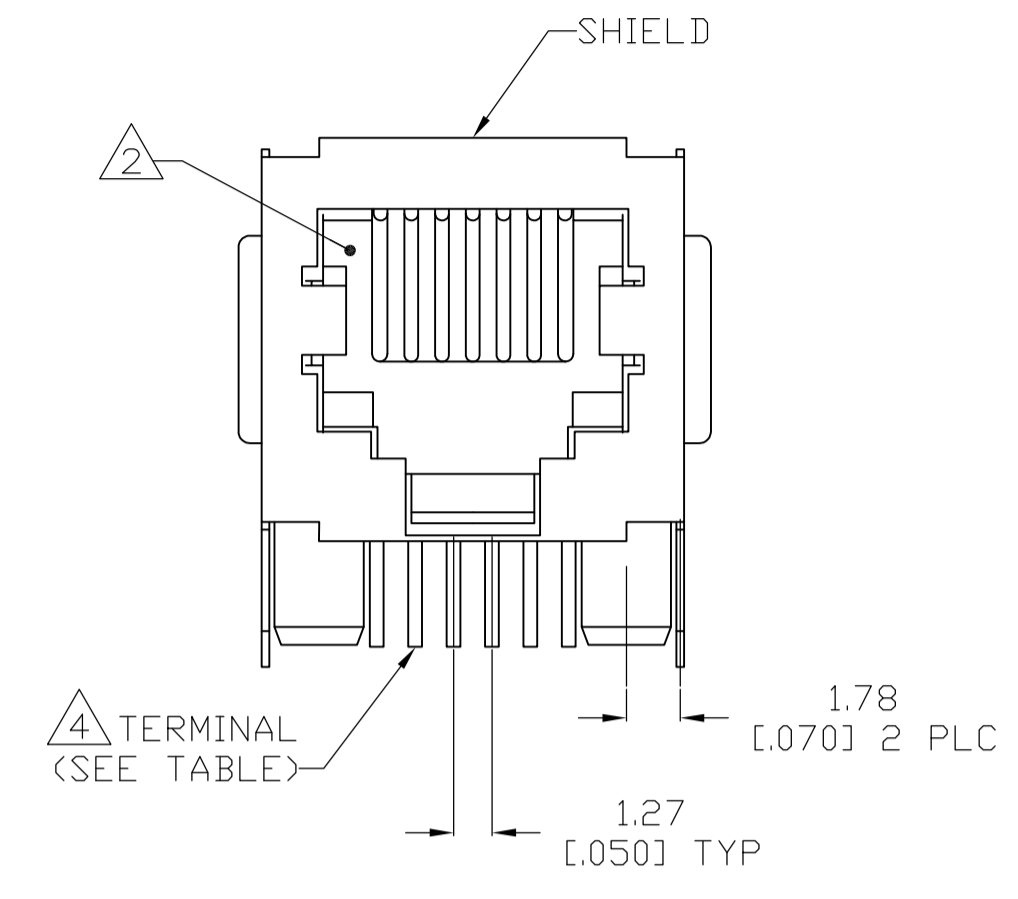
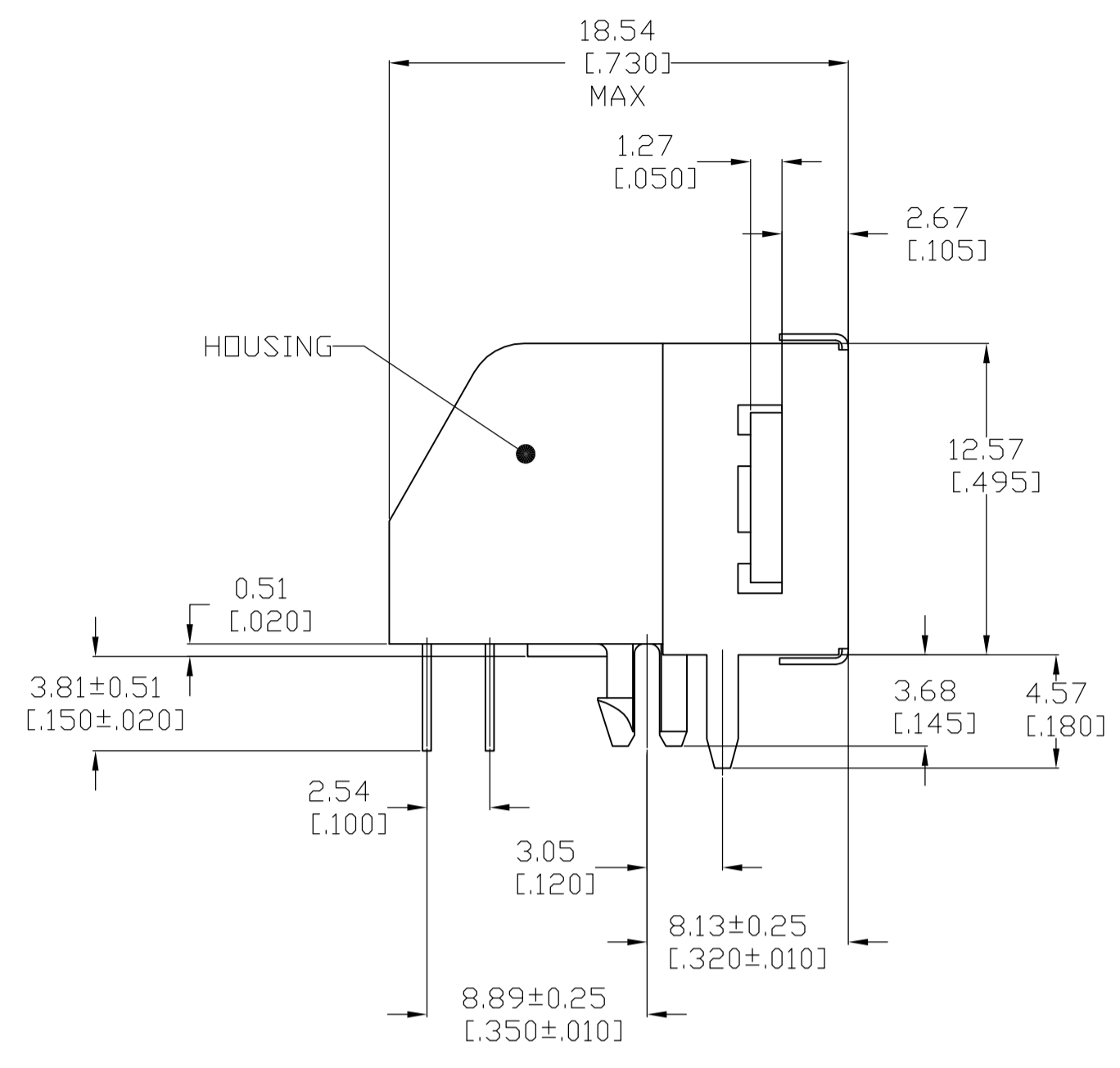
Tel: +86-755-8981 8866 Fax: +86-755-8427 6832

Email & Skype: info@chipsmall.com Web: www.chipsmall.com

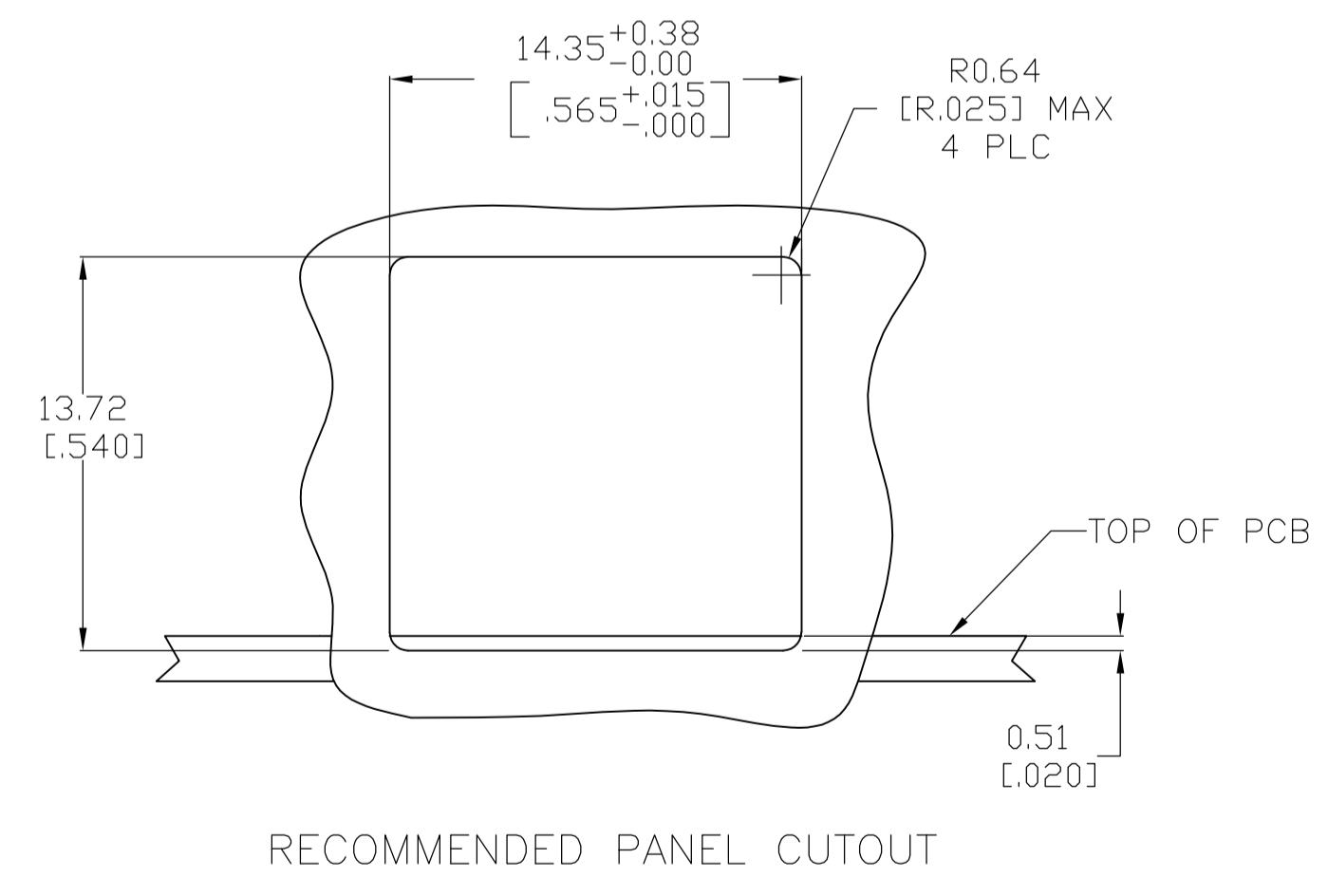
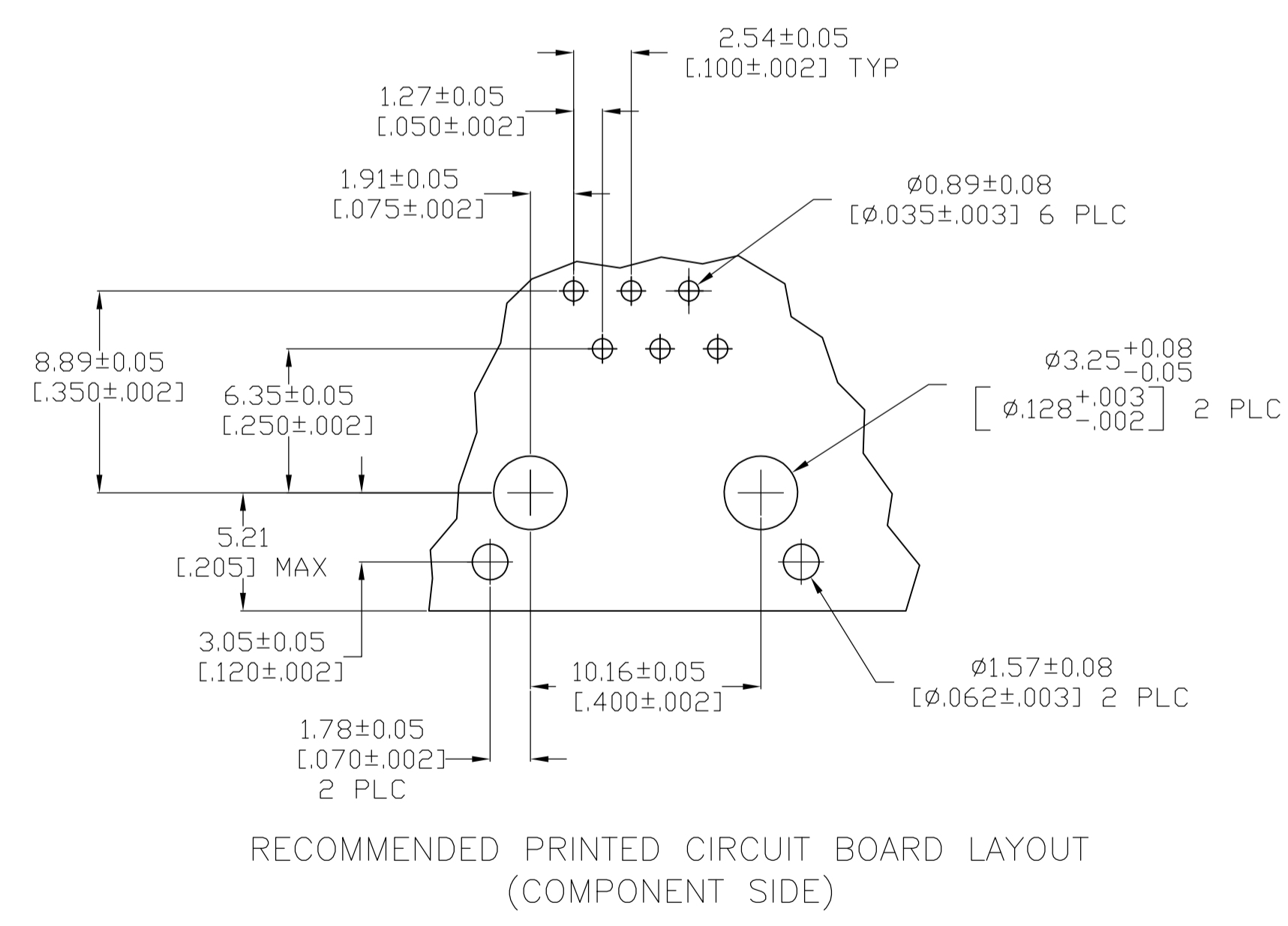
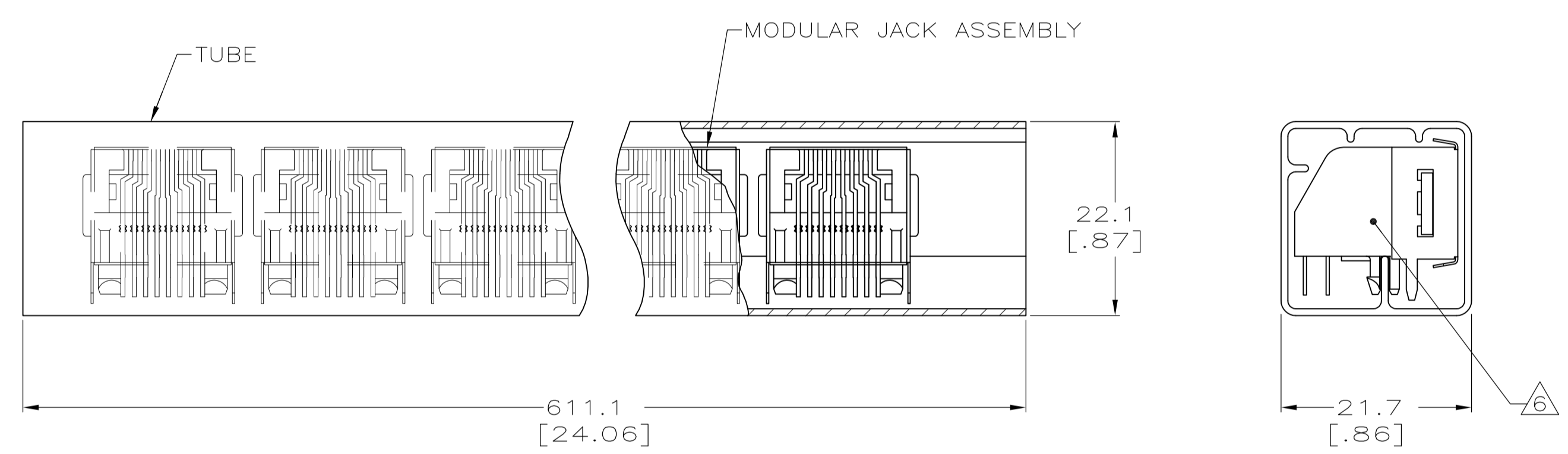
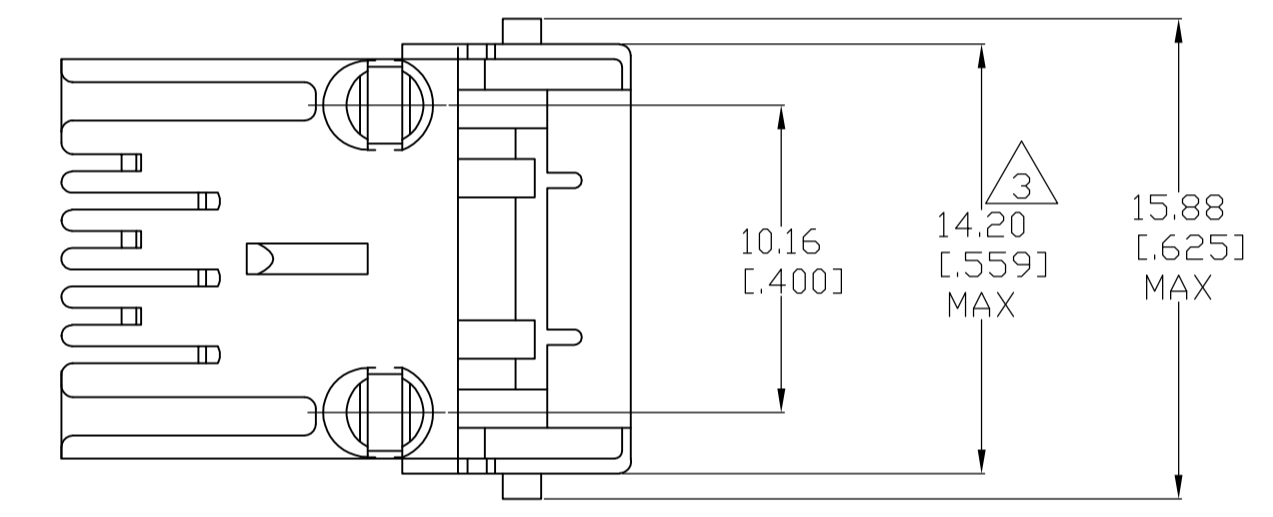
Address: A1208, Overseas Decoration Building, #122 Zhenhua RD., Futian, Shenzhen, China



LOC		DIST		REVISIONS			
AA	00	REV	DATE	BY	CHK	APPV	
B1	REVISED PER ECO-11-005033		23MAR11	RK	HMR		



- MATERIAL: HOUSING—PBT POLYESTER, COLOR: BLACK
 TERMINAL— 0.36[.014] THICK PHOS-BRONZE PLATED WITH 1.27 μ m[.000050] MINIMUM THICK HARD GOLD IN LOCALIZED GOLD PLATE AREA AND 3.81 μ m[.000150] MINIMUM THICK MATTE TIN IN SOLDER AREA OVER 1.27 μ m[.000050] MINIMUM THICK NICKEL UNDERPLATE
 SHIELD—0.25[.010] THICK COPPER ALLOY
 PLATED WITH 3.0 μ m[.000120] MINIMUM REFLOWED TIN
- △ CAVITY CONFORMS TO FCC RULES AND REGULATIONS PART 68, SUBPART F.
 - △ DIMENSION MEASURED ALONG FRONT EDGE OF MATING FACE
 - △ TERMINALS FOR 5555154-2 LOCATED IN CENTER POSITIONS.
 - △ BULK PACKAGED IN TRAYS.
 - △ PACKAGED 36 ASSEMBLIES PER TUBE. SEE DETAIL "A".



PACKAGE	TERMINALS REQUIRED	PART NUMBER
△ 6	6	5555154-4
△ 5	4	5555154-2
△ 5	6	5555154-1

THIS DRAWING IS A CONTROLLED DOCUMENT.

DIMENSIONS: mm [INCHES]	TOLERANCES UNLESS OTHERWISE SPECIFIED:	DIN G. ATTADIA - 08/JUN/2005	CHK J. WESTMAN - 08/JUN/2005	APVD S. FLICKINGER - 08/JUN/2005	NAME: MODULAR JACK ASSEMBLY, SHIELDED, 6 POSITION, LOW PROFILE, RIGHT ANGLE, PRINTED CIRCUIT BOARD GROUND WITH PANEL STOPS
0 PLC ± -	1 PLC ± -	2 PLC ± 0.13[.005]	3 PLC ± -	4 PLC ± -	PRODUCT SPEC 108-1163
ANGLES ± -					APPLICATION SPEC 114-2048
MATERIAL: SEE NOTE 1	FINISH: SEE NOTE 1	WEIGHT: -	SIZE: A1	CAGE CODE: 00779	DRAWING NO: 5555154
CUSTOMER DRAWING		SCALE: 4:1	SHEET: 1 OF 1	REV: B1	

STE TE Connectivity