



Chipsmall Limited consists of a professional team with an average of over 10 year of expertise in the distribution of electronic components. Based in Hongkong, we have already established firm and mutual-benefit business relationships with customers from,Europe,America and south Asia,supplying obsolete and hard-to-find components to meet their specific needs.

With the principle of “Quality Parts,Customers Priority,Honest Operation,and Considerate Service”,our business mainly focus on the distribution of electronic components. Line cards we deal with include Microchip,ALPS,ROHM,Xilinx,Pulse,ON,Everlight and Freescale. Main products comprise IC,Modules,Potentiometer,IC Socket,Relay,Connector.Our parts cover such applications as commercial,industrial, and automotives areas.

We are looking forward to setting up business relationship with you and hope to provide you with the best service and solution. Let us make a better world for our industry!



Contact us

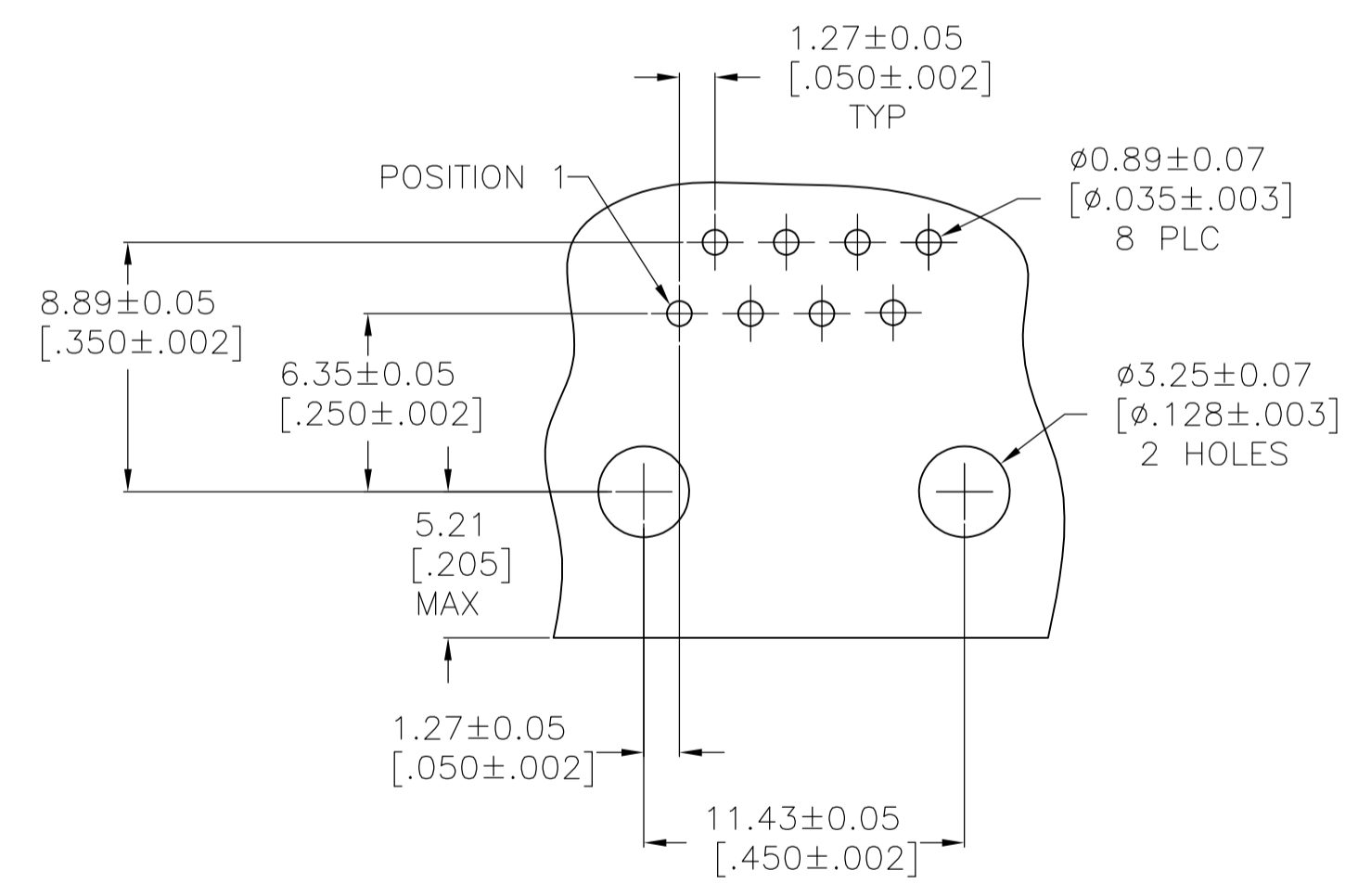
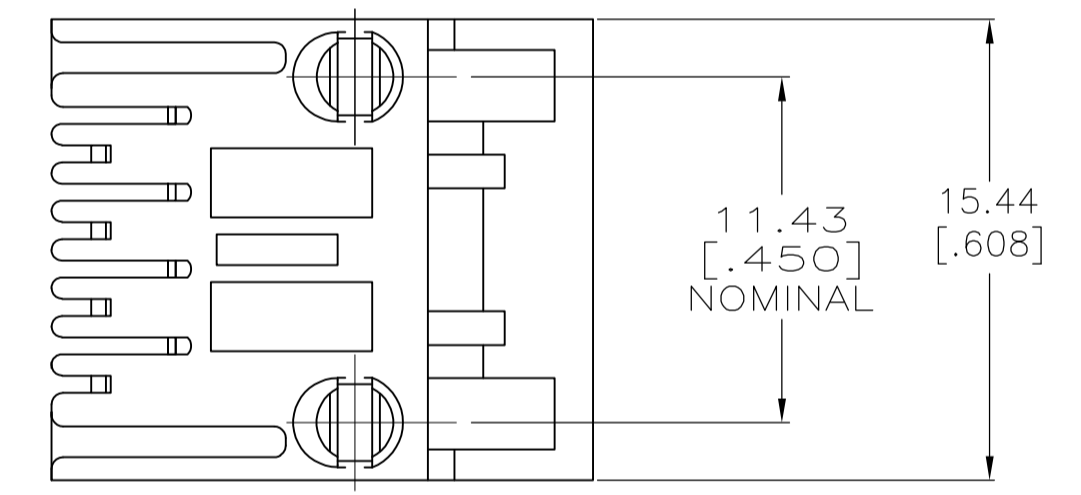
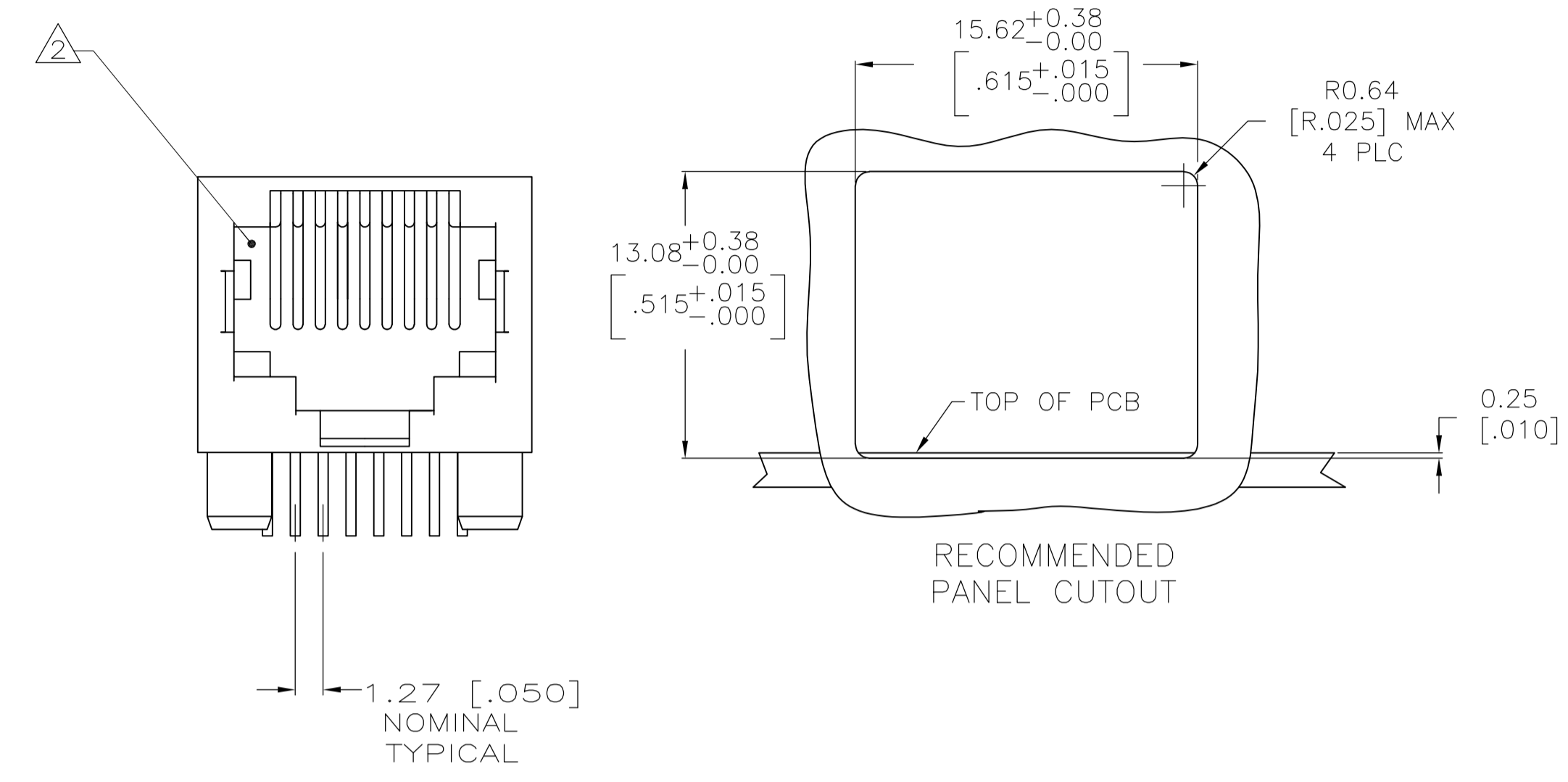
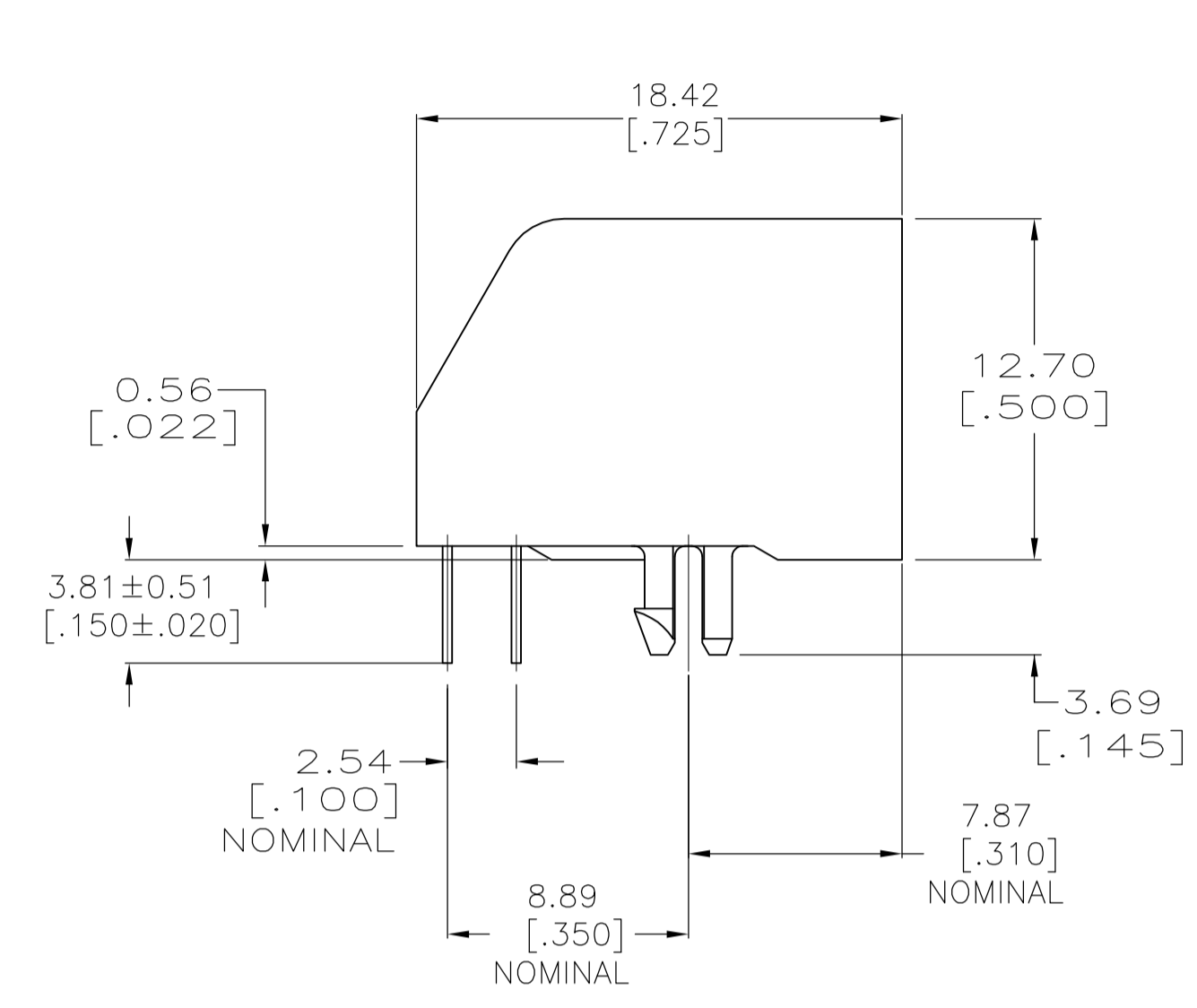
Tel: +86-755-8981 8866 Fax: +86-755-8427 6832

Email & Skype: info@chipsmall.com Web: www.chipsmall.com

Address: A1208, Overseas Decoration Building, #122 Zhenhua RD., Futian, Shenzhen, China



LOC		DIST		REVISIONS			
AA	00	REV	DATE	BY	CHK	APPV	
B1	REVISED PER ECO-11-005140	28MAR11	RK	HMR			



RECOMMENDED PRINTED CIRCUIT BOARD LAYOUT COMPONENT SIDE SHOWN

- MATERIAL:
HOUSING - PBT POLYESTER, COLOR: BLACK
TERMINAL - 0.36 [.014] THICK PHOS BRONZE PLATED WITH 1.27µm [.000050] MINIMUM THICK HARD GOLD IN LOCALIZED GOLD PLATE AREA AND 2.03µm [.000080] MINIMUM THICK MATTE TIN IN SOLDER AREA OVER 1.27µm [.000050] THICK NICKEL UNDERPLATE.
- CAVITY CONFORMS TO FCC RULES AND REGULATIONS PART 68, SUBPART F.
- DIMENSIONS ARE MAXIMUM UNLESS OTHERWISE SPECIFIED.
- BULK PACKAGED IN A TRAY.
- 37 ASSEMBLIES PACKAGED PER TUBE

8	5555164-4
8	5555164-1
PACKAGED	TERMINALS REQUIRED PART NUMBER

THIS DRAWING IS A CONTROLLED DOCUMENT.

DIMENSIONS: mm [INCHES]	TOLERANCES UNLESS OTHERWISE SPECIFIED:	0 PLC ± -	1 PLC ± -	2 PLC ± 0.13[.005]	3 PLC ± -	4 PLC ± -	ANGLES ± -				
SEE NOTE 1	SEE NOTE 1	WEIGHT	—	SIZE	A1	CAGE CODE	00779	DRAWING NO	5555164	RESTRICTED TO	—
CUSTOMER DRAWING			SCALE	4:1	SHEET	1	OF	1	REV	B1	

DIN G. ATTADIA - 08/JUN/2005
 CHK J. WESTMAN - 08/JUN/2005
 APVD S. FLICKINGER - 08/JUN/2005
 NAME
 PRODUCT SPEC 108-1163
 APPLICATION SPEC 114-2048
 CUSTOMER DRAWING

STE TE Connectivity
 MODULAR JACK ASSEMBLY, 8 POSITION, LOW PROFILE, RIGHT ANGLE, WITHOUT PANEL STOPS