



Chipsmall Limited consists of a professional team with an average of over 10 year of expertise in the distribution of electronic components. Based in Hongkong, we have already established firm and mutual-benefit business relationships with customers from,Europe,America and south Asia,supplying obsolete and hard-to-find components to meet their specific needs.

With the principle of “Quality Parts,Customers Priority,Honest Operation,and Considerate Service”,our business mainly focus on the distribution of electronic components. Line cards we deal with include Microchip,ALPS,ROHM,Xilinx,Pulse,ON,Everlight and Freescale. Main products comprise IC,Modules,Potentiometer,IC Socket,Relay,Connector.Our parts cover such applications as commercial,industrial, and automotives areas.

We are looking forward to setting up business relationship with you and hope to provide you with the best service and solution. Let us make a better world for our industry!



Contact us

Tel: +86-755-8981 8866 Fax: +86-755-8427 6832

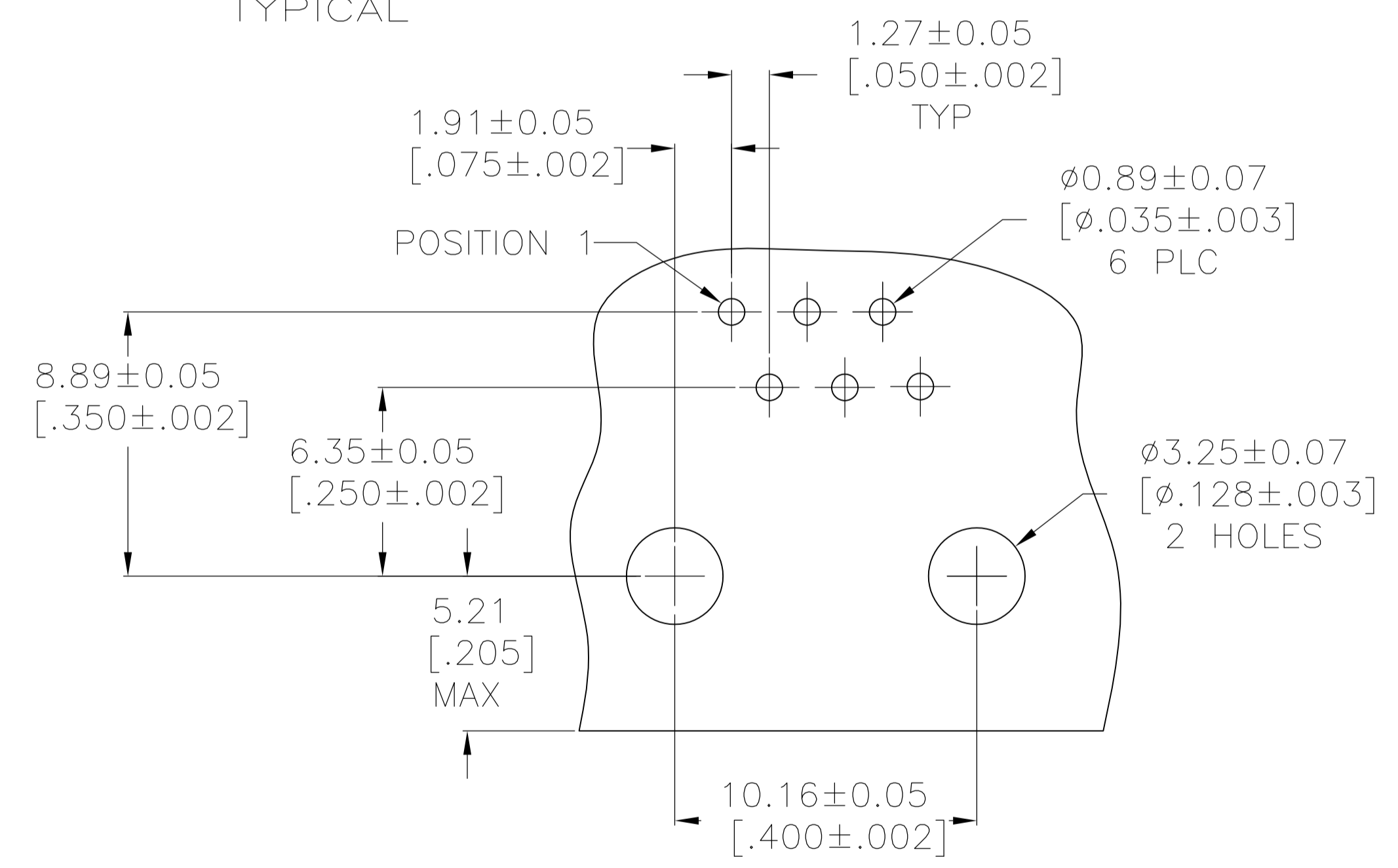
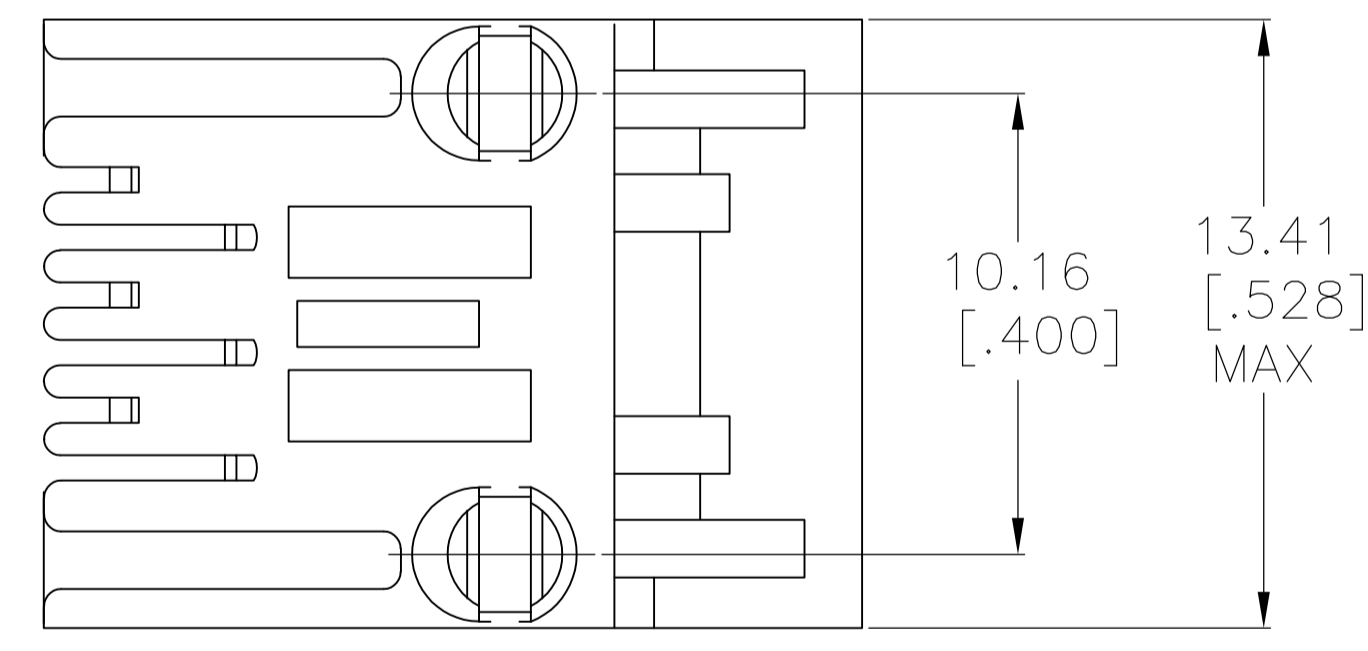
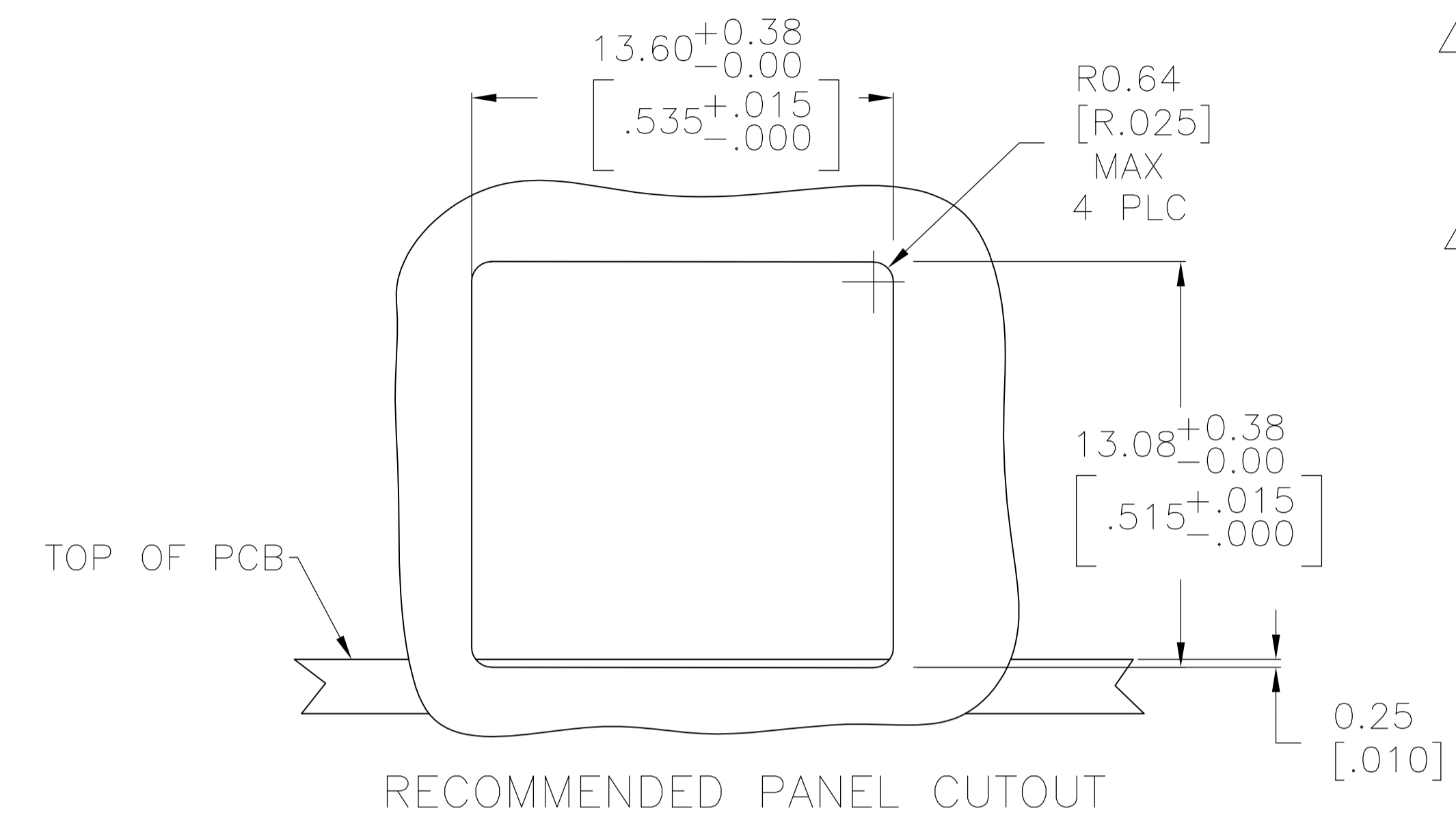
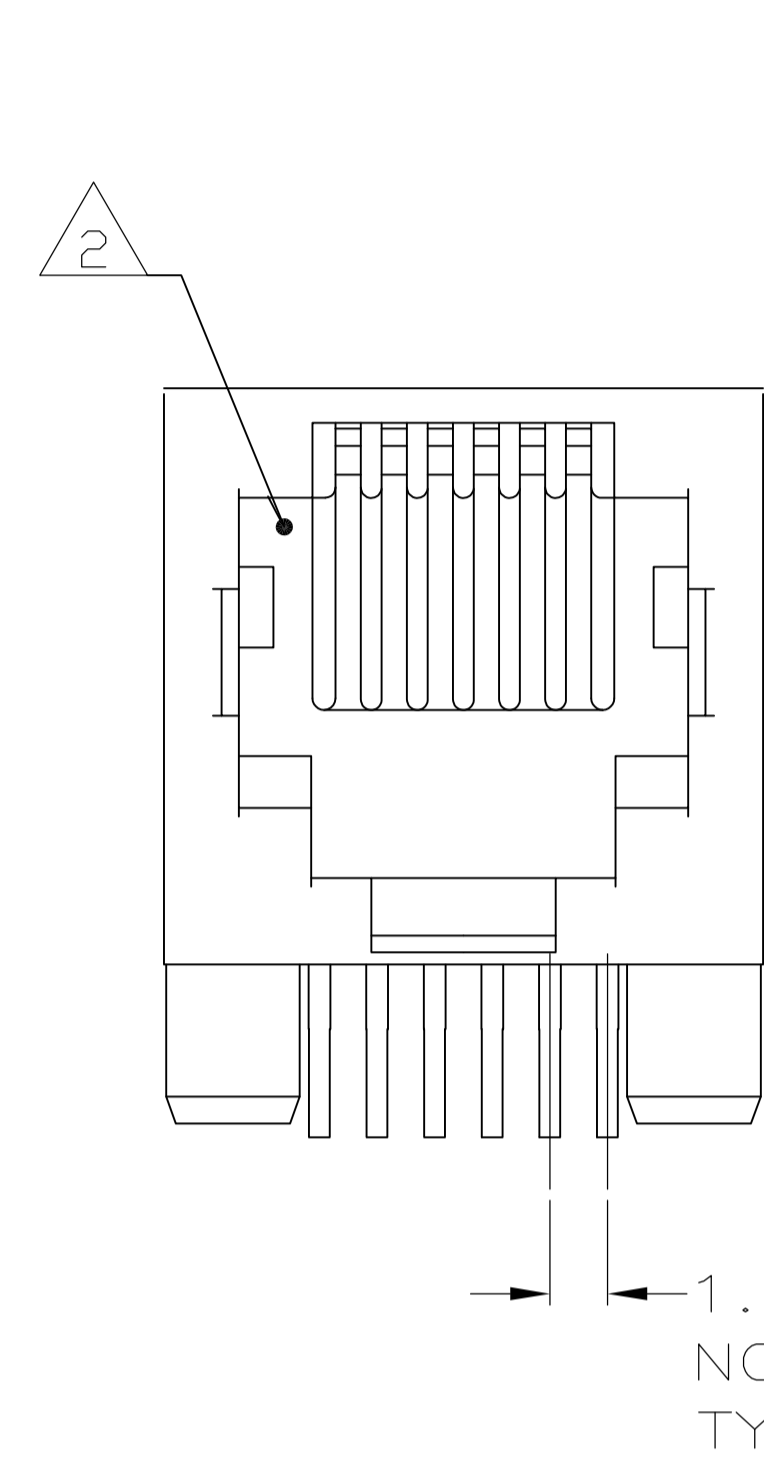
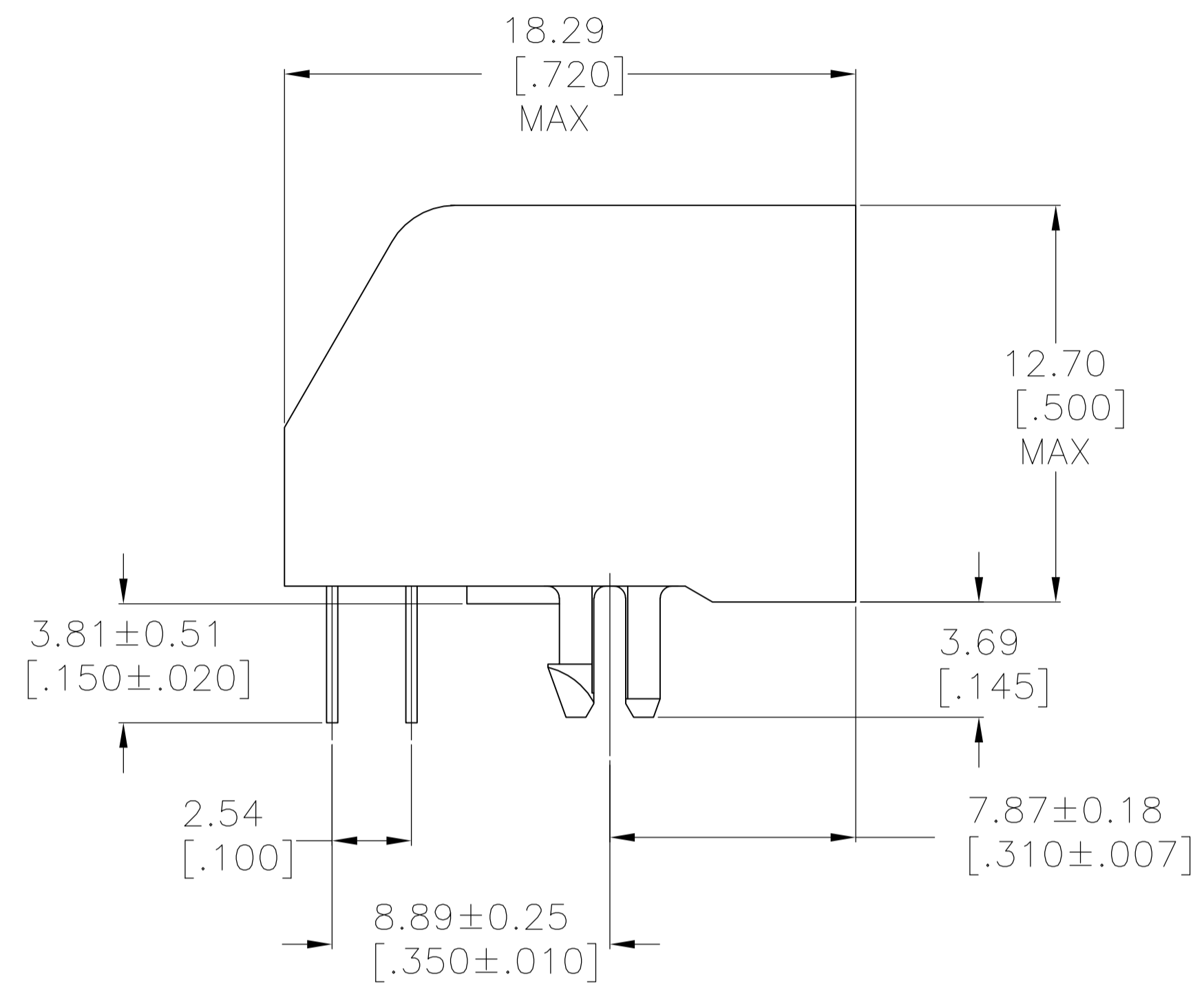
Email & Skype: info@chipsmall.com Web: www.chipsmall.com

Address: A1208, Overseas Decoration Building, #122 Zhenhua RD., Futian, Shenzhen, China



LOC		DIST		REVISIONS			
GP	00	REV	DATE	BY	CHK	APPV	
E2	REVISED PER ECO-12-014371	15NOV2012	CJV	PAR			

- MATERIAL: HOUSING - PBT POLYESTER, COLOR: BLACK
 TERMINAL - 0.35[.0138] THICK PHOS BRONZE
 PLATED WITH 1.27 μ m[.000050] THICK
 HARD GOLD IN LOCALIZED GOLD PLATE AREA AND
 2.03 μ m[.000080] THICK MATTE TIN IN SOLDER
 AREA OVER 1.27 μ m[.000050] THICK NICKEL
 UNDERPLATE.
- CAVITY CONFORMS TO FCC RULES AND REGULATIONS
 PART 68, SUBPART F.
- BULK PACKAGED IN A TRAY.
- TERMINALS FOR 5555165-2 AND -5 LOCATED IN
 CENTER POSITIONS.



RECOMMENDED PRINTED CIRCUIT BOARD LAYOUT
 COMPONENT SIDE SHOWN

OBsolete	DEC GREY	4	4	5555165-8
	BLACK	2	6	5555165-5
	BLACK	4	4	5555165-2
	BLACK	6	4	5555165-1
	COLOR	TERMINALS REQUIRED		PART NUMBER

THIS DRAWING IS A CONTROLLED DOCUMENT. DIMENSIONING AND TOLERANCING PER ASME Y14.5M-2009.

DIMENSIONS: mm [INCHES]	TOLERANCES UNLESS OTHERWISE SPECIFIED: 0 PLC ± - 1 PLC ± - 2 PLC ± 0.13[.005] 3 PLC ± - 4 PLC ± - ANGLES ± -	APPROVED: S. FLICKINGER 08JUNE2005	NAME: MODULAR JACK ASSEMBLY, 6 POSITION, LOW PROFILE, RIGHT ANGLE, WITHOUT PANEL STOPS
MATERIAL: SEE NOTE 1	FINISH: SEE NOTE 1	WEIGHT: -	SIZE: A1 SCALE: 6:1 SHEET: 1 OF 1 REV: E2

STE TE Connectivity

08JUNE2005
 D. STRAUSSER / L.A. MAYER
 08JUNE2005
 J. WESTMAN
 S. FLICKINGER
 08JUNE2005
 PRODUCT SPEC: 108-1163
 APPLICATION SPEC: 114-2048
 CUSTOMER DRAWING