



Chipsmall Limited consists of a professional team with an average of over 10 year of expertise in the distribution of electronic components. Based in Hongkong, we have already established firm and mutual-benefit business relationships with customers from,Europe,America and south Asia,supplying obsolete and hard-to-find components to meet their specific needs.

With the principle of "Quality Parts,Customers Priority,Honest Operation,and Considerate Service",our business mainly focus on the distribution of electronic components. Line cards we deal with include Microchip,ALPS,ROHM,Xilinx,Pulse,ON,Everlight and Freescale. Main products comprise IC,Modules,Potentiometer,IC Socket,Relay,Connector.Our parts cover such applications as commercial,industrial, and automotives areas.

We are looking forward to setting up business relationship with you and hope to provide you with the best service and solution. Let us make a better world for our industry!



## Contact us

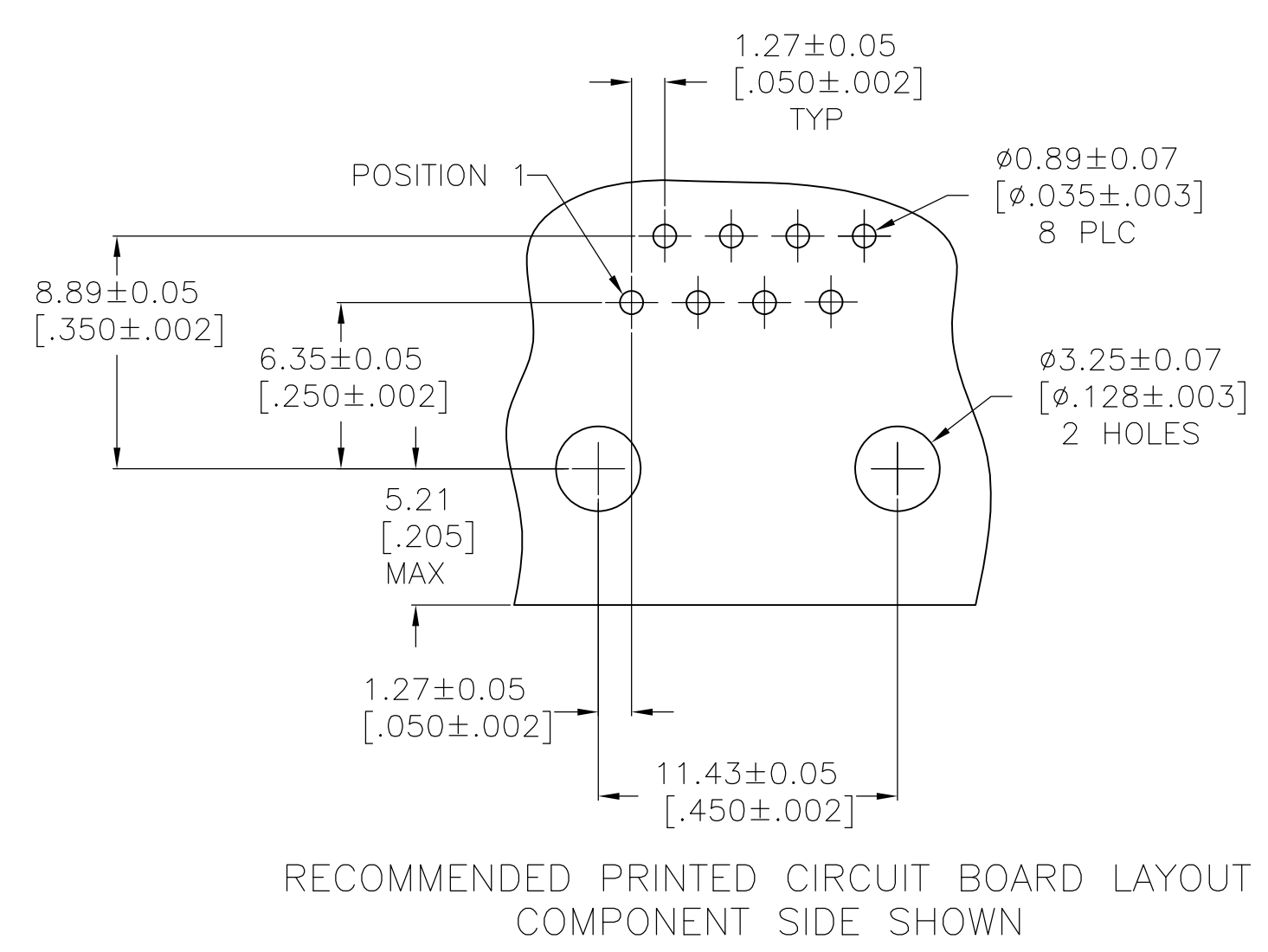
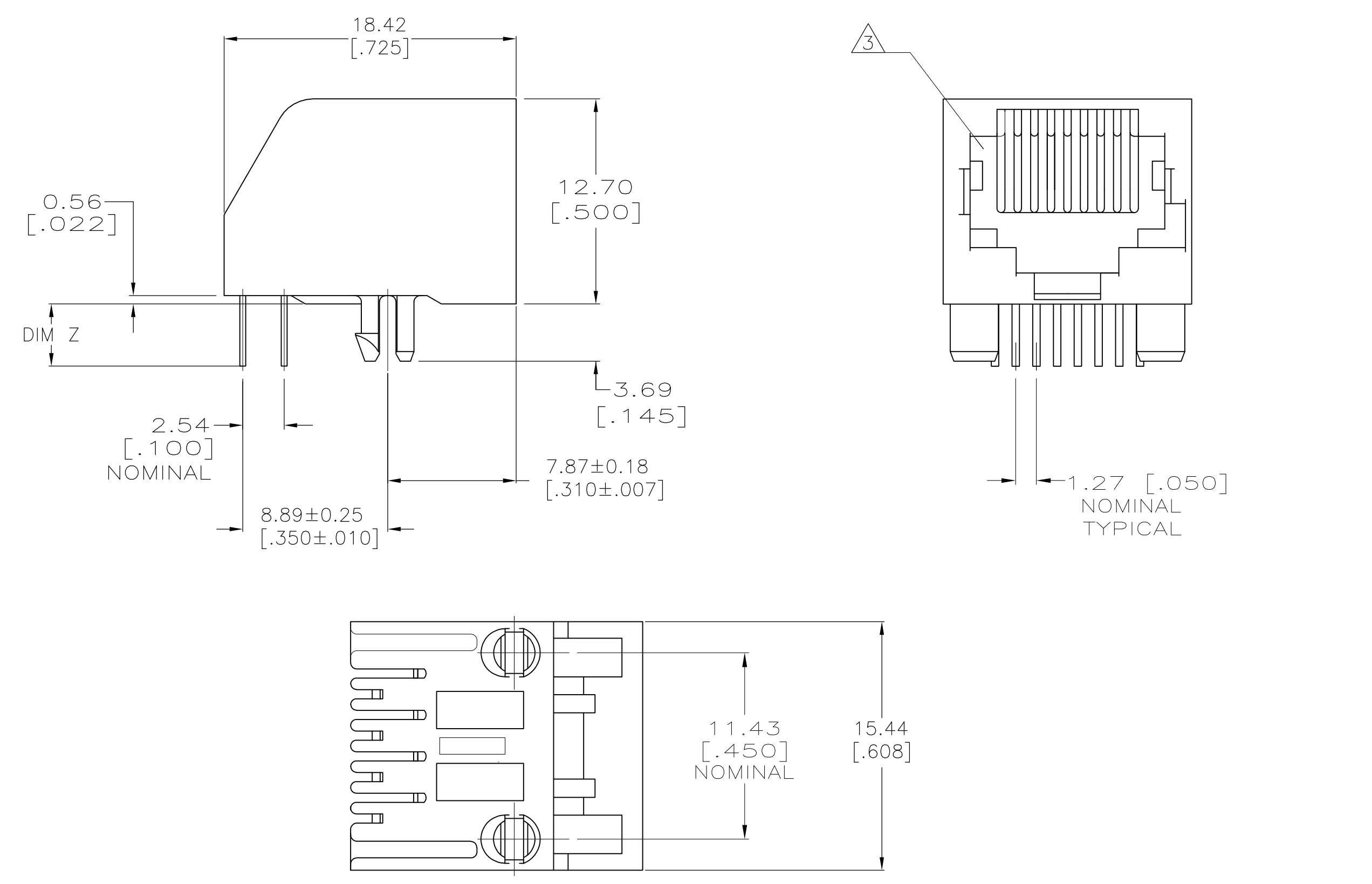
Tel: +86-755-8981 8866 Fax: +86-755-8427 6832

Email & Skype: info@chipsmall.com Web: www.chipsmall.com

Address: A1208, Overseas Decoration Building, #122 Zhenhua RD., Futian, Shenzhen, China



LOC		DIST		REVISIONS			
P	LTR	DESCRIPTION	DATE	DMN	APVD		
B1		REVISED PER ECO-11-005033	24MAR11	RK	HMR		



- DIMENSIONS ARE MAXIMUM UNLESS OTHERWISE SPECIFIED.
  - MATERIAL: HOUSING – PBT POLYESTER, COLOR: BLACK.  
TERMINAL – PHOS-BRONZE PLATED WITH 1.27µm [0.000050] MINIMUM THICK HARD GOLD IN LOCALIZED GOLD PLATE AREA AND 3.81µm [0.000150] MINIMUM THICK MATTE TIN IN SOLDER AREA OVER 1.27µm [0.000050] MINIMUM THICK NICKEL UNDERPLATE.
- 3 CAVITY CONFORMS TO FCC RULES AND REGULATIONS PART 68, SUBPART F.
- 4 BULK PACKAGED IN A TRAY.
- 5 PACKAGED 36 ASSEMBLIES PER TUBE WITH BOTH ENDS CRIMPED. SEE DETAIL A.

3	8	2.80±0.25 [0.110±0.010]	5555167-4
4	8	3.81±0.51 [0.15±0.02]	5555167-1
PACKAGED	TERMINALS	DIMENSION Z	PART NUMBER

THIS DRAWING IS A CONTROLLED DOCUMENT.		DIN 31AUG2007 G.ATTADIA/L.A.MAYER		TE Connectivity	
DIMENSIONS: mm [INCHES]		TOLERANCES UNLESS OTHERWISE SPECIFIED:		NAME	
0 PLC ± -		1 PLC ± -		P.RECCE	
2 PLC ± 0.13[0.005]		3 PLC ± -		S.FLICKINGER	
4 PLC ± -		ANGLES ± -		PRODUCT SPEC	
MATERIAL SEE NOTE 2		FINISH SEE NOTE 2		APPLICATION SPEC	
		WEIGHT -		114-2048	
		CUSTOMER DRAWING		SCALE 4:1 SHEET 1 OF 1 REV B1	