



Chipsmall Limited consists of a professional team with an average of over 10 year of expertise in the distribution of electronic components. Based in Hongkong, we have already established firm and mutual-benefit business relationships with customers from,Europe,America and south Asia,supplying obsolete and hard-to-find components to meet their specific needs.

With the principle of “Quality Parts,Customers Priority,Honest Operation,and Considerate Service”,our business mainly focus on the distribution of electronic components. Line cards we deal with include Microchip,ALPS,ROHM,Xilinx,Pulse,ON,Everlight and Freescale. Main products comprise IC,Modules,Potentiometer,IC Socket,Relay,Connector.Our parts cover such applications as commercial,industrial, and automotives areas.

We are looking forward to setting up business relationship with you and hope to provide you with the best service and solution. Let us make a better world for our industry!



Contact us

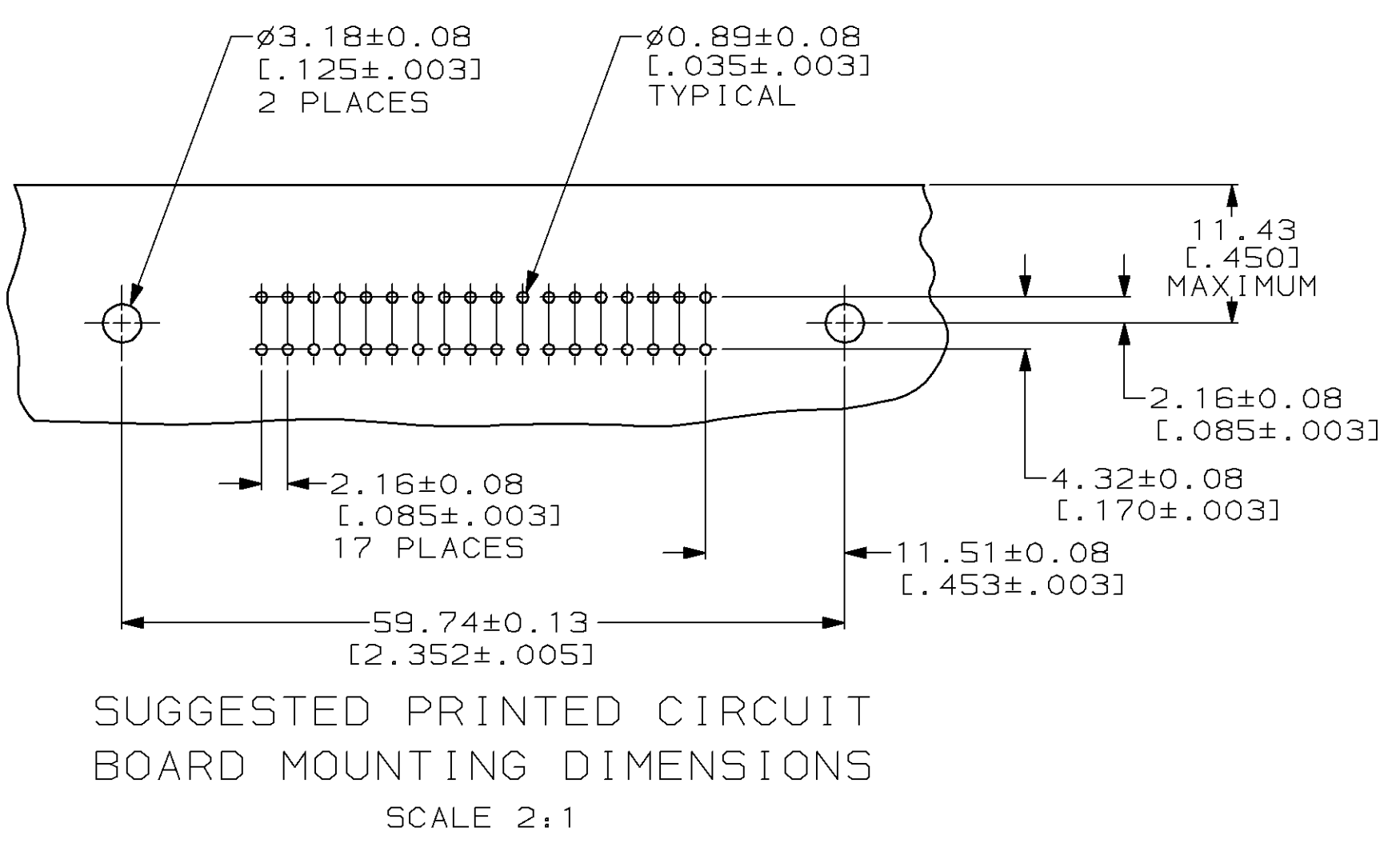
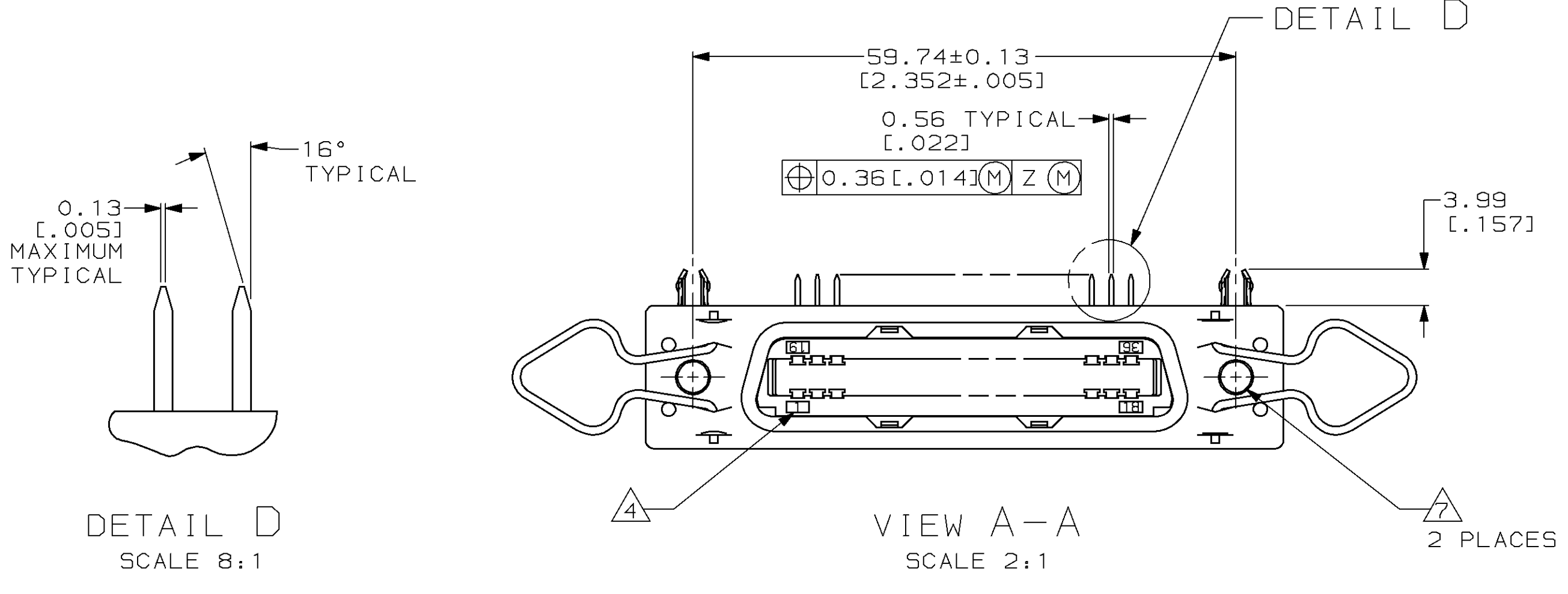
Tel: +86-755-8981 8866 Fax: +86-755-8427 6832

Email & Skype: info@chipsmall.com Web: www.chipsmall.com

Address: A1208, Overseas Decoration Building, #122 Zhenhua RD., Futian, Shenzhen, China

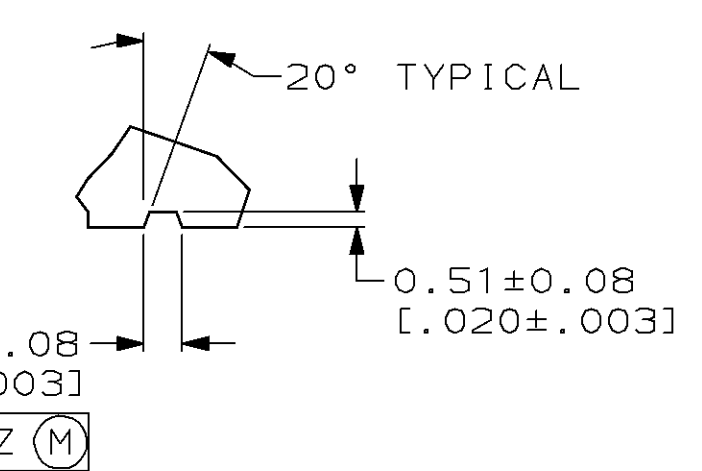
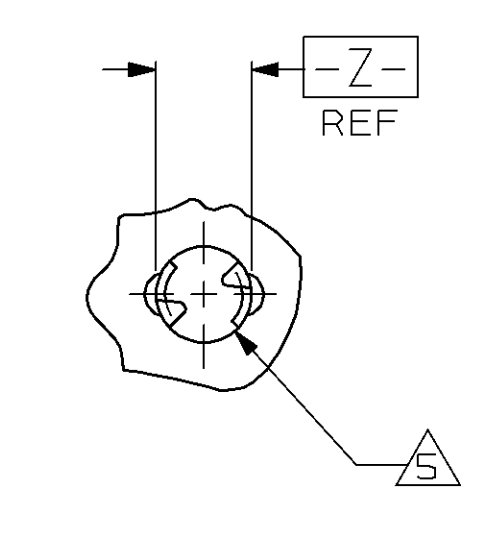
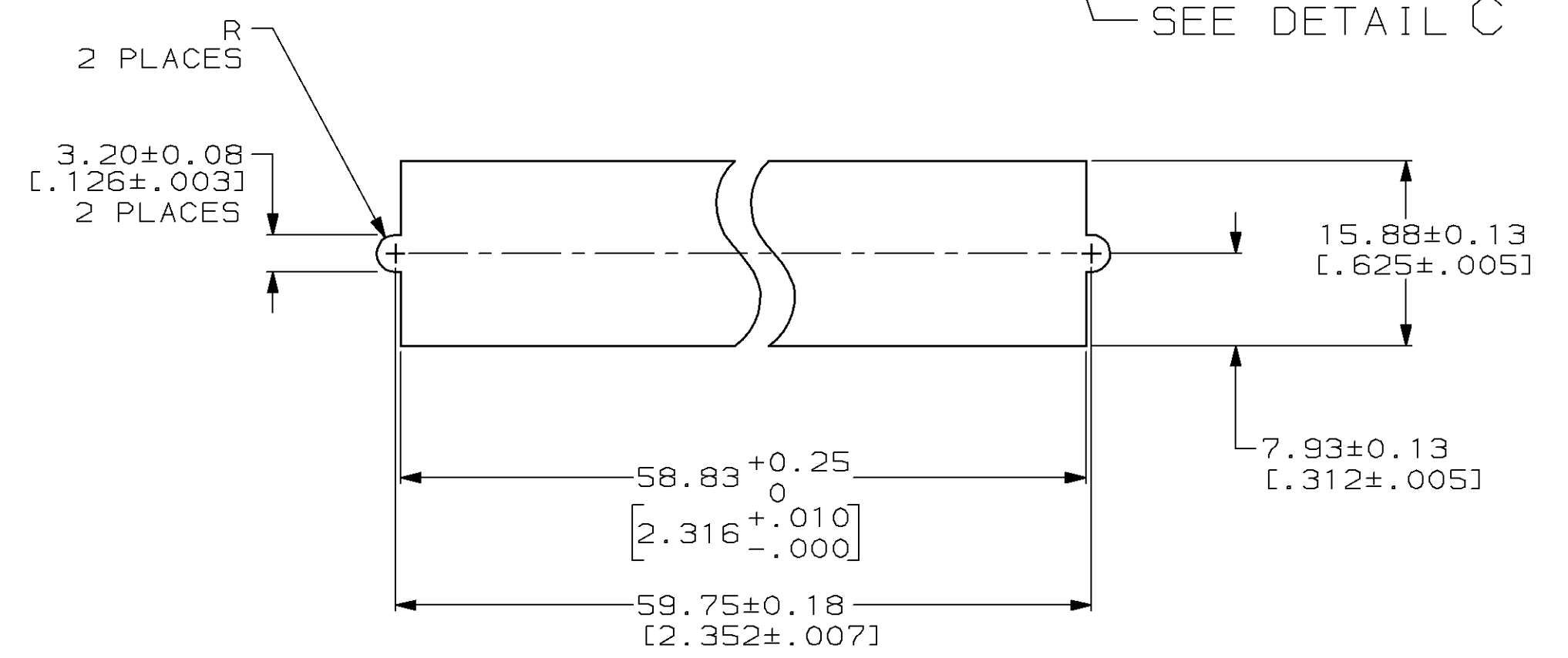
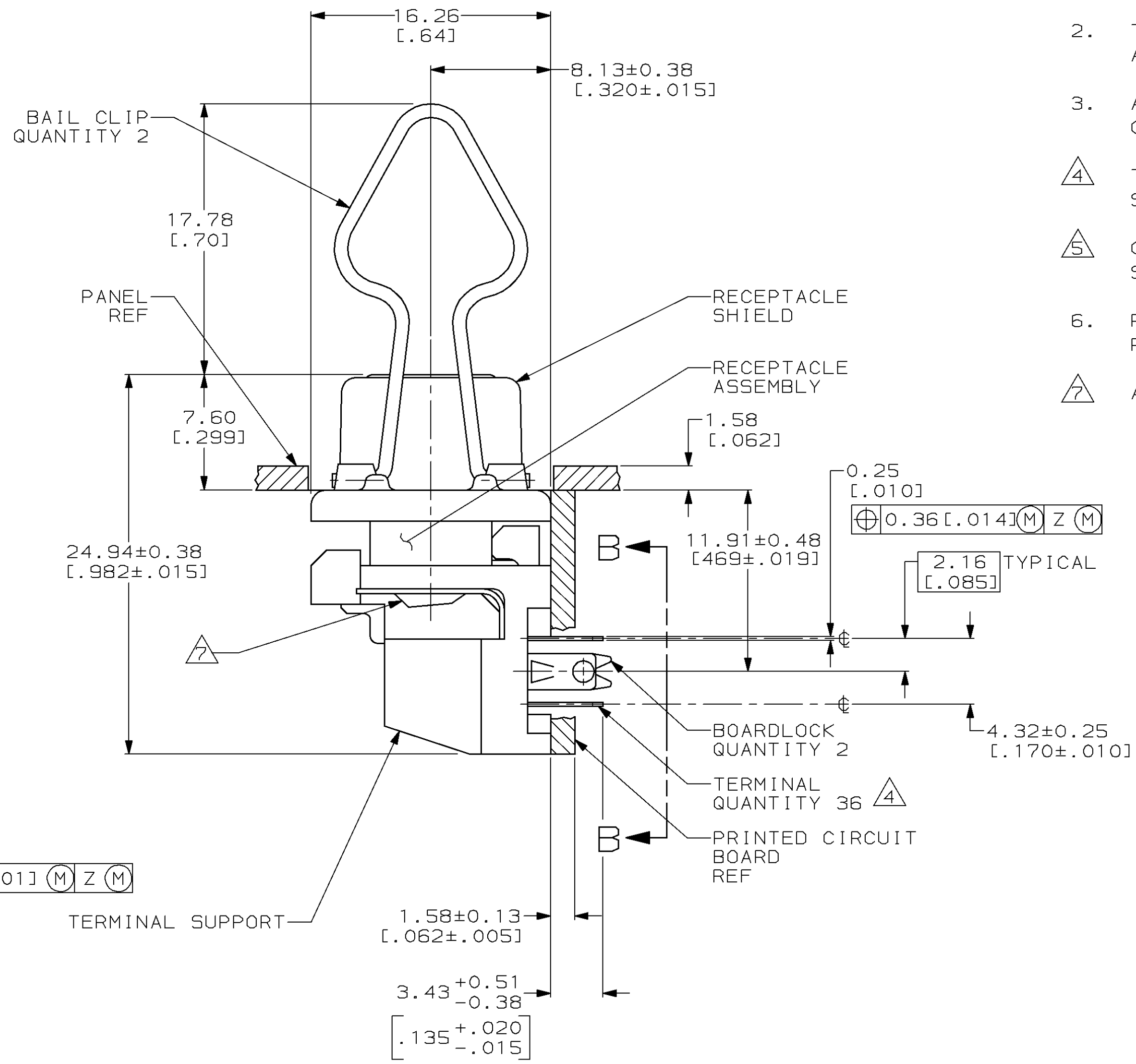
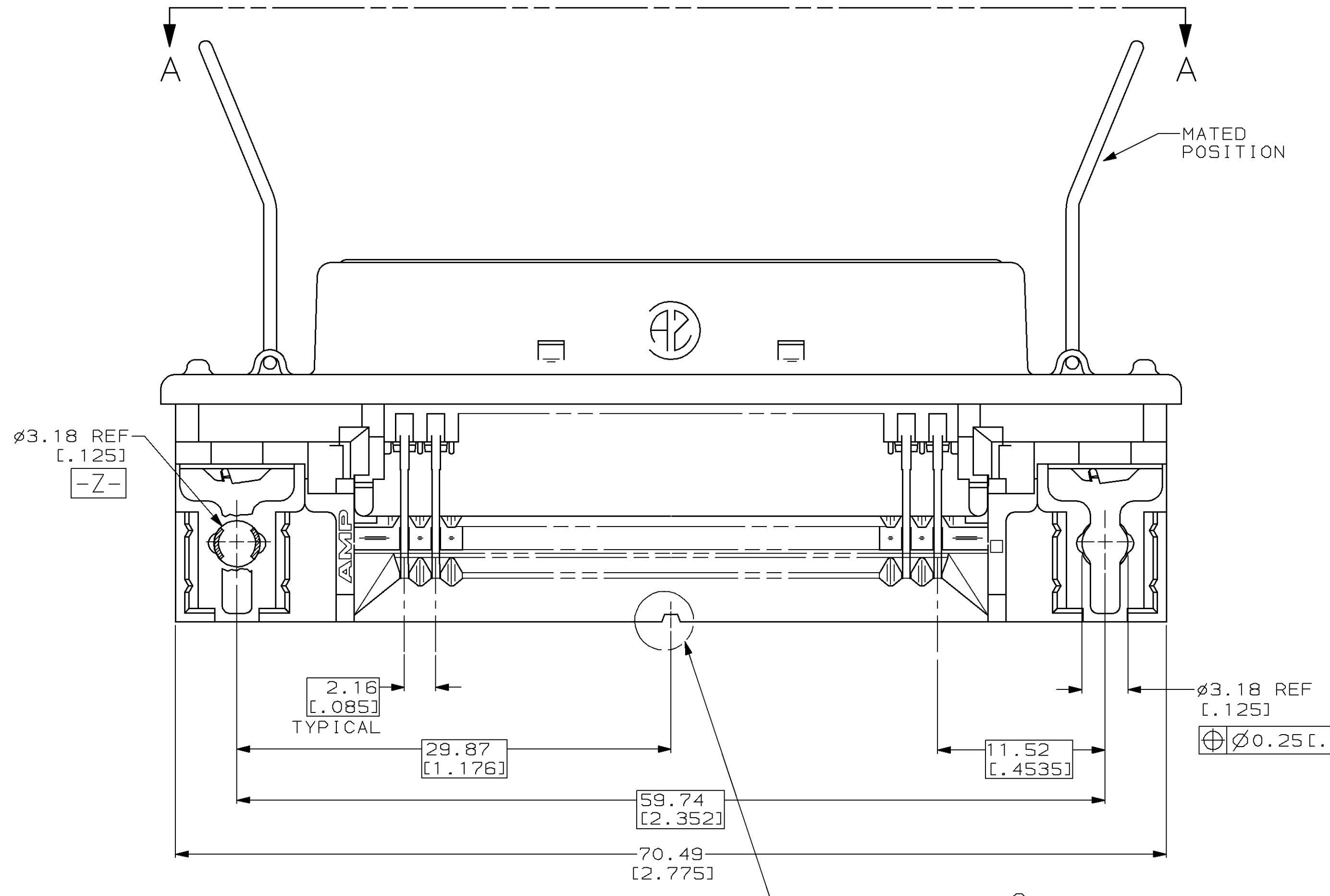


LOC	DIST	REVISIONS			
P	LTR	DESCRIPTION	DATE	OWN	APVD
R	REV;	EC 0502-0441-97	02JUL97	GG	RF



MATERIAL:
 TERMINAL SUPPORT - 94 V-0 HTN, BLACK, OR EQUIVALENT.
 HOUSING - 94 V-0 HTN, BLACK, OR EQUIVALENT.
 BAIL CLIPS - PASSIVATED STAINLESS STEEL.
 RECEPTACLE SHIELD - BRIGHT NICKEL OVER CARBON STEEL.
 TERMINAL TAILS - TIN LEAD OVER NICKEL PLATED HIGH STRENGTH COPPER ALLOY.
 MATING SURFACE - LOCALIZED GOLD OVER NICKEL PLATED HIGH STRENGTH COPPER ALLOY.
 BOARDLOCK - TIN LEAD PLATED CARBON STEEL.

- THE CONTACT SURFACES OF THE TERMINALS ARE COATED WITH LUBRICANT.
- ALL DIMENSIONS SHOWN ARE MAXIMUM UNLESS OTHERWISE SPECIFIED.
- TERMINAL 1 LOCATED IN THIS ROW FOR STANDARD ORIENTATION.
- CYLINDRICAL SHAPE OFFERS 180° OF SOLDERING SURFACE.
- PART WILL WITHSTAND INFRARED AND VAPOR PHASE REFLOW TEMPERATURE FOR 90 SECONDS.
- ACCOMMODATES #4-40 UNC-2A THREAD.



555520-2
PART NUMBER

DIMENSIONS: IN (INCHES)		TOLERANCES UNLESS OTHERWISE SPECIFIED:		DWG: RAB/UTA 9-22-95		AMP Incorporated Harrisburg, PA 17105-3508	
0 PLC	±	1 PLC	±	CHK: N. JONES 9-28-95	NAME: R. FLAHERTY 10-4-95		
2 PLC	±	3 PLC	±	PRODUCT SPEC: RCPT ASSY, SHIELDED, 36 POSN, RIGHT ANGLE, WITH THREADED BOARDLOCK, CHAMP ©			
4 PLC	±	ANGLES	±	APPLICATION SPEC: -			
MATERIAL	△	FINISH	△	WEIGHT	SIZE: A1	CAGE CODE: 00779	DRAWING NO: C-555520
CUSTOMER DRAWING				SCALE 4:1 SHEET 1 OF 1 REV R			